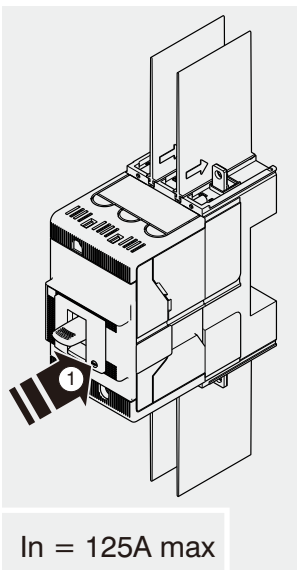





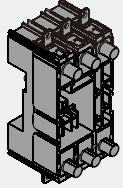
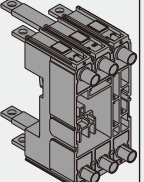
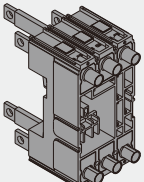


SACE Tmax XT IEC-UL

Istruzioni di installazione parte fissa di interruttore rimovibile XT1
Installation instructions fixed part for plug-in circuit breakers XT1
Installationsanleitung festteil für leistungsschalter in ausfahrbarer ausführung XT1
Instruccions pour l'installation partie fixe pour disjoncteur debrochable XT1
Instrucciones de instalación parte fija para interruptor extraíble XT1
安装说明书 插入式断路器固定部分 XT1

3P-4P



									
		LENGHT M 16mm (0.63\" data-bbox="378 414 451 438"/>	CH 7 M M4		CH 7 M M4				
EF	3P	4	4	8	4	4	1		
	4P	4	4	8	4	6	1		
HR	3P	4	4	8	4			1	
	4P	4	4	8	4			1	
VR	3P	4	4	8	4				1
	4P	4	4	8	4				1

Usare cavi o barre isolate/ o eseguire prove di tipo specifiche sull' installazione.

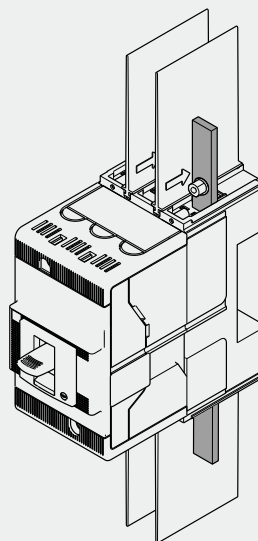
Use cable or insulated busbars/ or perform specific type test on the installation.

Kabel oder isolierte Sammelschienen verwenden / oder die spezifische Typprüfung auf der Installation durchführen.

Utiliser un câble ou des barres isolées/ ou réaliser un test de type spécifique sur installation.

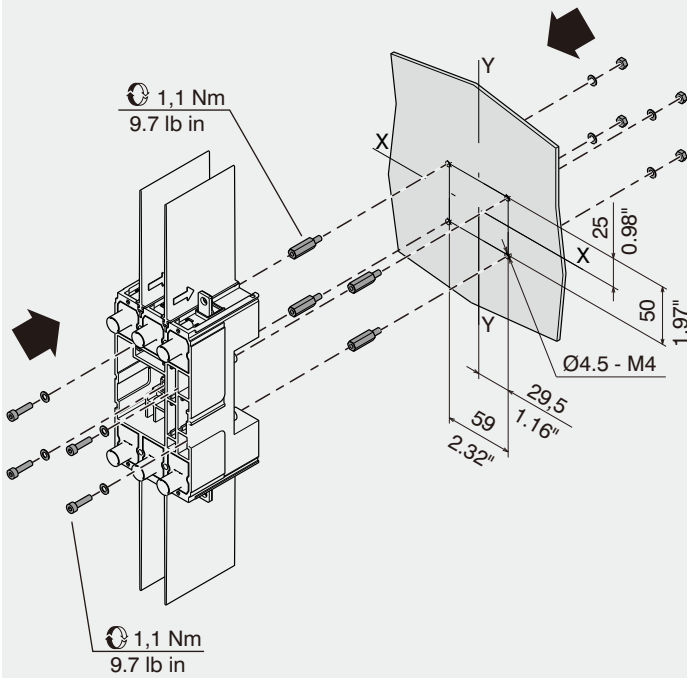
Utilizar un cable o barras aisladas / o efectuar una prueba de tipo específico sobre instalación.

使用电缆或经绝缘处理的母排，否则需对安装进行指定的型式试验



2

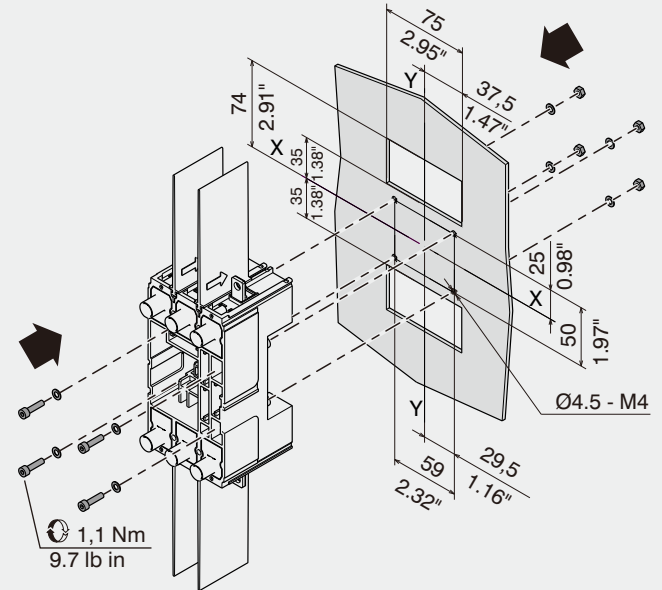
3P-4P Fixing at 70mm/2.76" EF



3

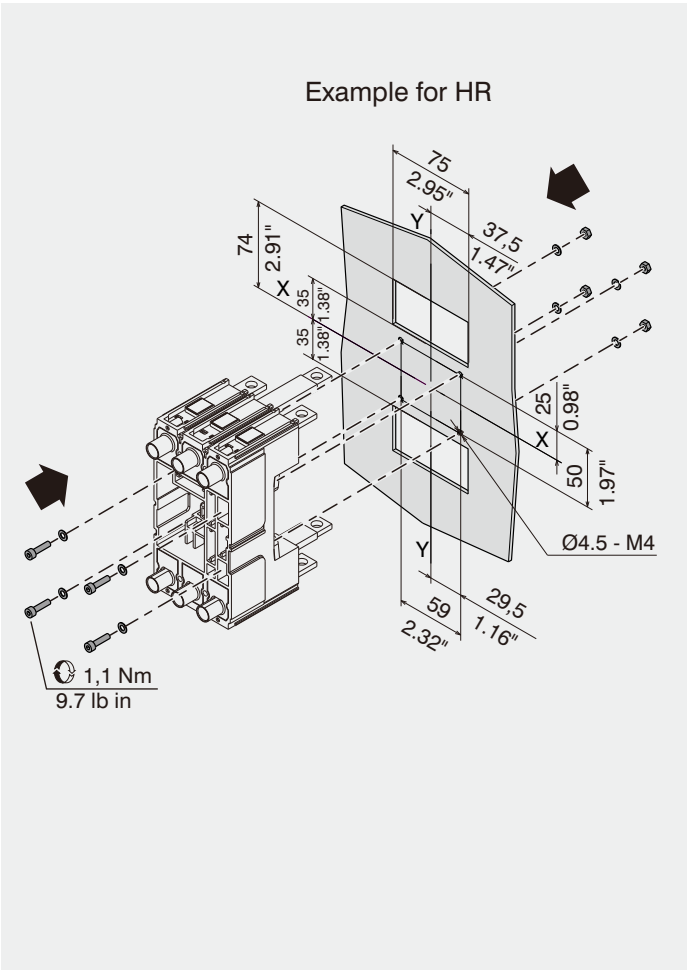
3P-4P Fixing at 50mm/1.97" EF

Non disponibile con LTC/HTC
 Not available with LTC/HTC
 Nicht verfügbar mit LTC/HTC
 Non disponible avec LTC/HTC
 No disponible con LTC/HTC
 不适用于LTC/HTC



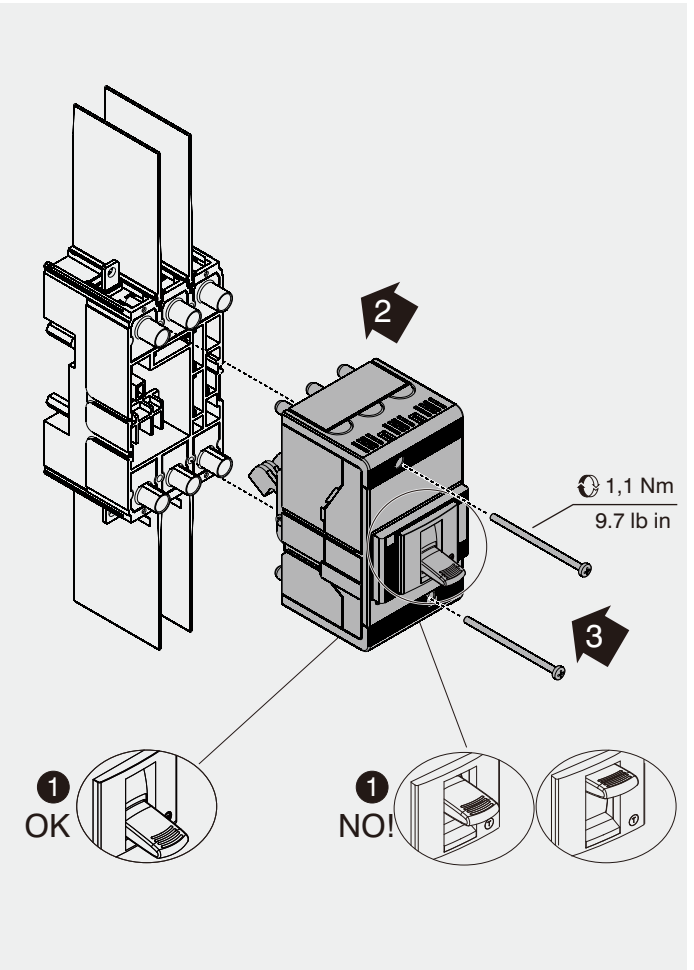
4

3P-4P Fixing at 50mm/1.97" HR-VR

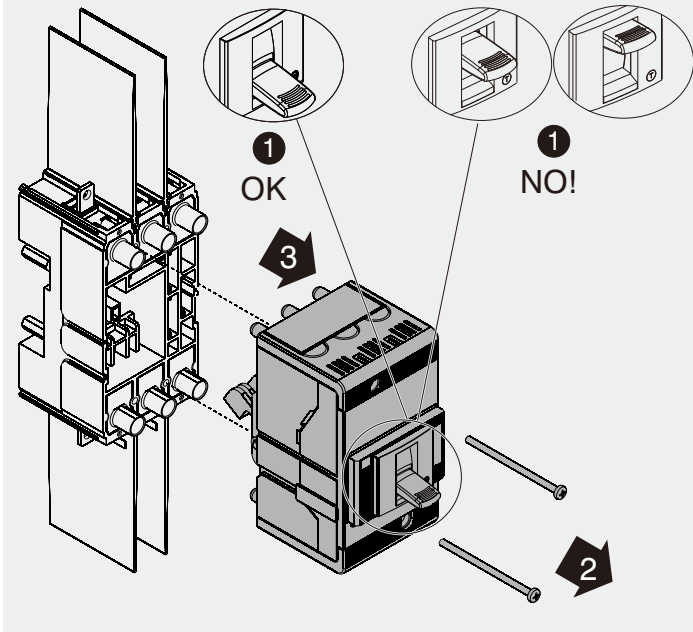


5

3P-4P

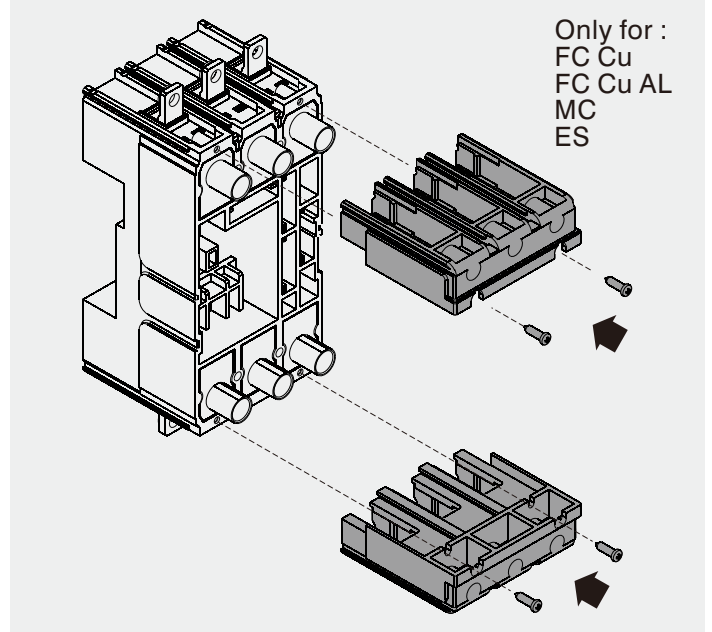


6



7

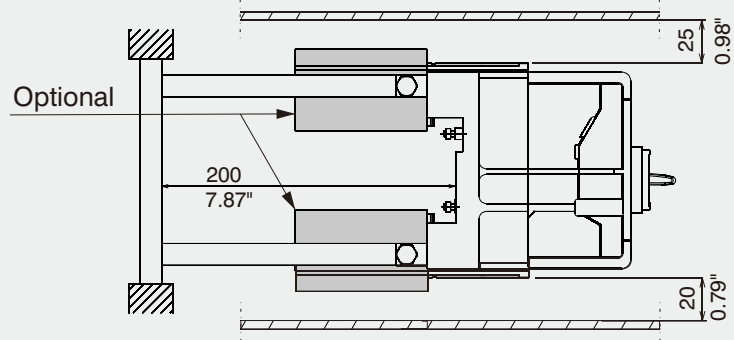
Fixing at 70mm/2.76" EF



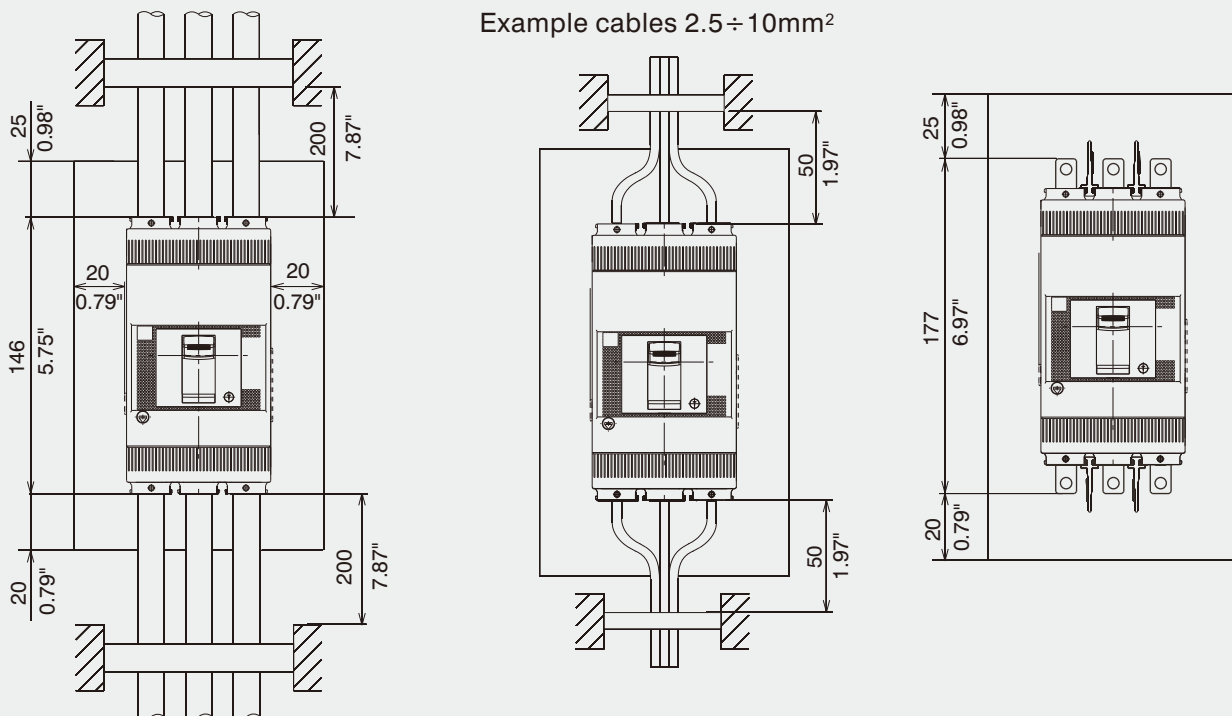
8

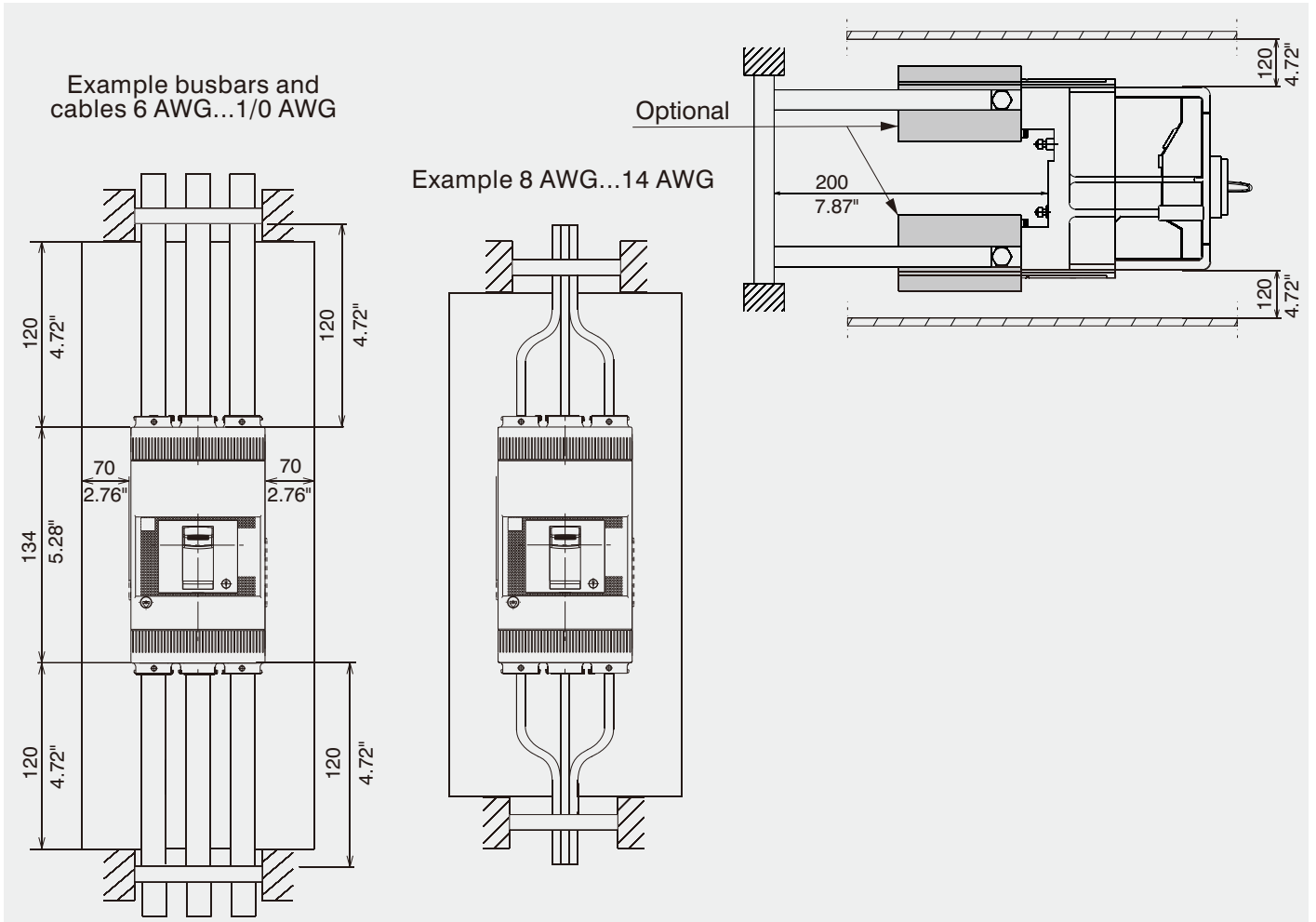
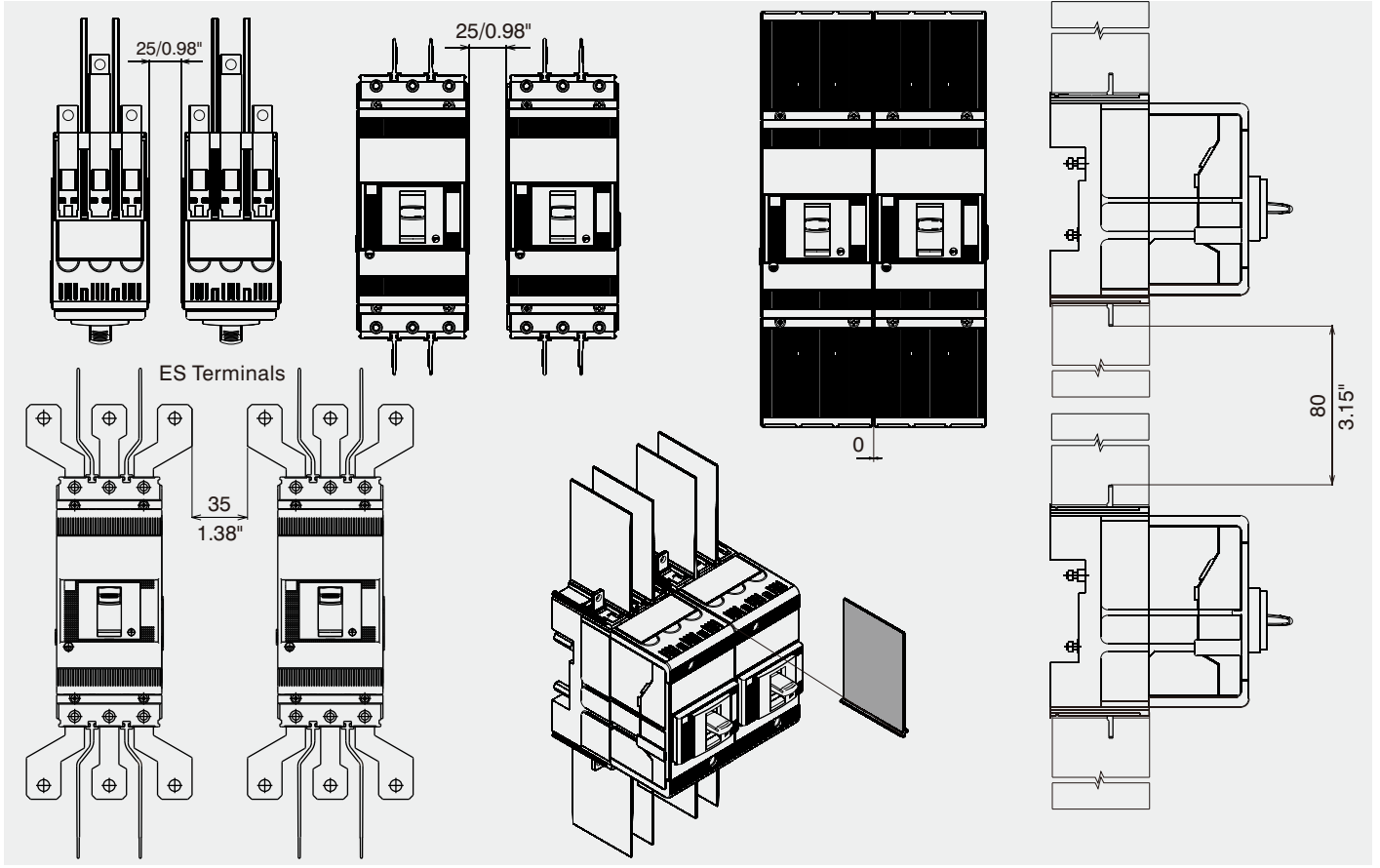
3P-4P IEC

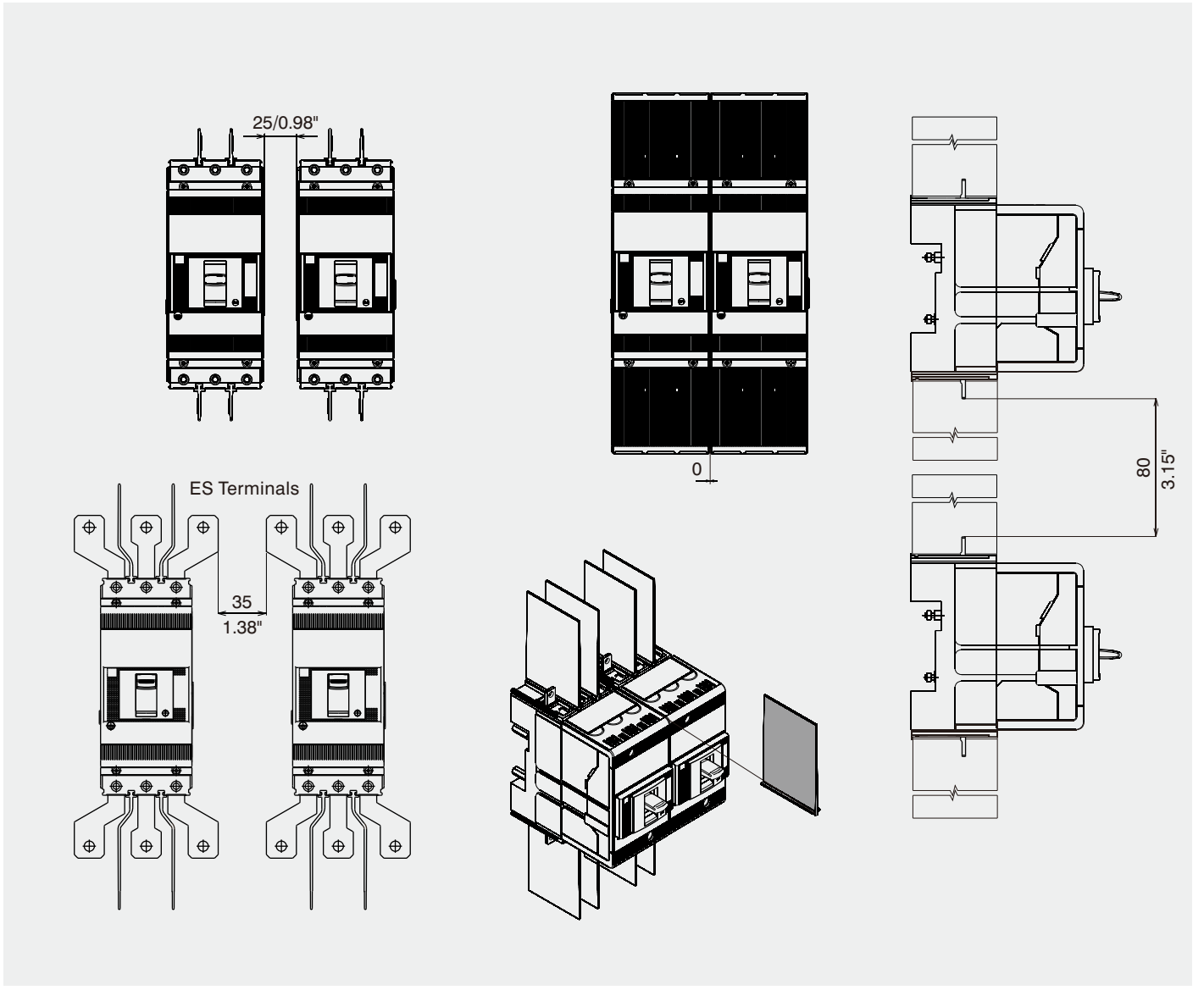
Example busbars and cables 16 ÷ 70mm²



Example cables 2.5 ÷ 10mm²







XT1 WITH FLANGE CON MOSTRINA		A		B	C	D	E
		50/1.97"	70/2.76"				
3P	124	144	55	81	21	40,5	
	4,88"	5,67"	2,16"	3,19"	0,83"	1,59"	
4P	124	144	55	106	21	40,5	
	4,88"	5,67"	2,16"	4,17"	0,83"	1,59"	

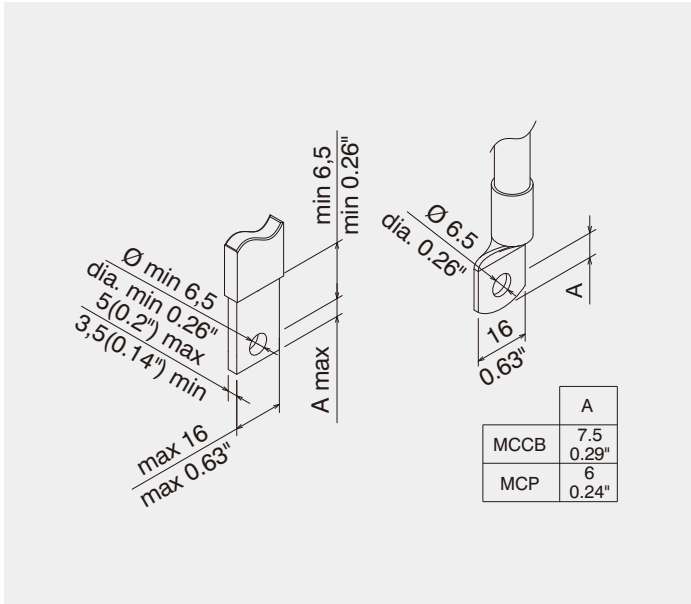
XT1 WITHOUT FLANGE SENZA MOSTRINA		A		B	C	D	E
		50/1.97"	70/2.76"				
3P-4P	129	149	43	47	15	23,5	
	5,08"	5,87"	1,69"	1,85"	0,59"	0,93"	
3P	121	141	47	73	17	36,5	
	4,76"	5,55"	1,85"	2,87"	0,67"	1,44"	
4P	121	141"	47	98	17	36,5	
	4,76"	5,55	1,85"	3,86"	0,67"	1,44"	

Terminali Terminals Anschlusse Prises Terminales 端子类型	Codici Codes Codes Codes Códigos 物料编号	Istruzioni d'installazione Installation instructions Installationsanleitung Instructions pour l'installation Instrucciones de instalación 安装说明	Dimensioni di ingombro Overall dimensions Abmessungen Dimensions d'encombrement Dimensiones generales 全部尺寸				
EF	<table border="1"> <tr><td>1SDA066260R1</td><td>1/2 Kit - 3p</td></tr> <tr><td>1SDA066261R1</td><td>1/2 Kit - 4p</td></tr> </table>	1SDA066260R1	1/2 Kit - 3p	1SDA066261R1	1/2 Kit - 4p	1SDH000719R0817	1SDH000719R0108
1SDA066260R1	1/2 Kit - 3p						
1SDA066261R1	1/2 Kit - 4p						
ES	<table border="1"> <tr><td>1SDA066889R1</td><td>1/2 Kit - 3p</td></tr> <tr><td>1SDA066890R1</td><td>1/2 Kit - 4p</td></tr> </table>	1SDA066889R1	1/2 Kit - 3p	1SDA066890R1	1/2 Kit - 4p	1SDH000719R0805	1SDH000719R0105
1SDA066889R1	1/2 Kit - 3p						
1SDA066890R1	1/2 Kit - 4p						
FC Cu (MCCB)	<table border="1"> <tr><td>1SDA066905R1</td><td>1/2 Kit - 3p</td></tr> <tr><td>1SDA066906R1</td><td>1/2 Kit - 4p</td></tr> </table>	1SDA066905R1	1/2 Kit - 3p	1SDA066906R1	1/2 Kit - 4p	1SDH000719R0807	
1SDA066905R1	1/2 Kit - 3p						
1SDA066906R1	1/2 Kit - 4p						
FC Cu Al 1.5...70mm²	<table border="1"> <tr><td>1SDA067151R1</td><td>1/2 Kit - 3p</td></tr> <tr><td>1SDA067152R1</td><td>1/2 Kit - 4p</td></tr> </table>	1SDA067151R1	1/2 Kit - 3p	1SDA067152R1	1/2 Kit - 4p	1SDH000719R0806	1SDH000719R0106
1SDA067151R1	1/2 Kit - 3p						
1SDA067152R1	1/2 Kit - 4p						
FC Cu Al 35...95mm²	<table border="1"> <tr><td>1SDA067155R1</td><td>1/2 Kit - 3p</td></tr> <tr><td>1SDA067156R1</td><td>1/2 Kit - 4p</td></tr> </table>	1SDA067155R1	1/2 Kit - 3p	1SDA067156R1	1/2 Kit - 4p	1SDH000719R0816	1SDH000719R0127
1SDA067155R1	1/2 Kit - 3p						
1SDA067156R1	1/2 Kit - 4p						
FC Cu Al 120...240mm²	<table border="1"> <tr><td>1SDA067159R1</td><td>1/2 Kit - 3p</td></tr> <tr><td>1SDA067160R1</td><td>1/2 Kit - 4p</td></tr> </table>	1SDA067159R1	1/2 Kit - 3p	1SDA067160R1	1/2 Kit - 4p	1SDH000719R0643	
1SDA067159R1	1/2 Kit - 3p						
1SDA067160R1	1/2 Kit - 4p						
MC Cu Al	<table border="1"> <tr><td>1SDA066921R1</td><td>1/2 Kit - 3p</td></tr> <tr><td>1SDA066922R1</td><td>1/2 Kit - 4p</td></tr> </table>	1SDA066921R1	1/2 Kit - 3p	1SDA066922R1	1/2 Kit - 4p	1SDH000719R0808	1SDH000719R0107
1SDA066921R1	1/2 Kit - 3p						
1SDA066922R1	1/2 Kit - 4p						
HR/VR	<table border="1"> <tr><td>1SDA066268R1</td><td>1/2 Kit - 3p</td></tr> <tr><td>1SDA066269R1</td><td>1/2 Kit - 4p</td></tr> </table>	1SDA066268R1	1/2 Kit - 3p	1SDA066269R1	1/2 Kit - 4p	1SDH000719R0813	1SDH000719R0109
1SDA066268R1	1/2 Kit - 3p						
1SDA066269R1	1/2 Kit - 4p						
R-RC	<table border="1"> <tr><td>1SDA066953R1</td><td>1/2 Kit - 4p</td></tr> </table>	1SDA066953R1	1/2 Kit - 4p	1SDH000719R0810			
1SDA066953R1	1/2 Kit - 4p						
FB	<table border="1"> <tr><td>1SDA066957R1</td><td>1/2 Kit - 3p</td></tr> <tr><td>1SDA066958R1</td><td>1/2 Kit - 4p</td></tr> </table>	1SDA066957R1	1/2 Kit - 3p	1SDA066958R1	1/2 Kit - 4p	1SDH000719R0814	
1SDA066957R1	1/2 Kit - 3p						
1SDA066958R1	1/2 Kit - 4p						
ADPTER	<table border="1"> <tr><td>1SDA066305R1</td><td>1/2 Kit - 3p</td></tr> <tr><td>1SDA066306R1</td><td>1/2 Kit - 4p</td></tr> </table>	1SDA066305R1	1/2 Kit - 3p	1SDA066306R1	1/2 Kit - 4p	1SDH000719R0902	
1SDA066305R1	1/2 Kit - 3p						
1SDA066306R1	1/2 Kit - 4p						

Terminali Terminals Anschlusse Prises Terminales 端子类型	Codici Codes Codes Codes Códigos 物料编号	Istruzioni d'installazione Installation instructions Installationsanleitung Instructions pour l'installation Instrucciones de instalación 安装说明	Dimensioni di ingombro Overall dimensions Abmessungen Dimensions d'encombrement Dimensiones generales 全部尺寸												
EF	<table border="1"> <tr><td>1SDA066260R1</td><td>1/2 Kit - 3p</td></tr> <tr><td>1SDA066261R1</td><td>1/2 Kit - 4p</td></tr> </table>	1SDA066260R1	1/2 Kit - 3p	1SDA066261R1	1/2 Kit - 4p	1SDH000719R0817	1SDH000719R0108								
1SDA066260R1	1/2 Kit - 3p														
1SDA066261R1	1/2 Kit - 4p														
ES	<table border="1"> <tr><td>1SDA066889R1</td><td>1/2 Kit - 3p</td></tr> <tr><td>1SDA066890R1</td><td>1/2 Kit - 4p</td></tr> </table>	1SDA066889R1	1/2 Kit - 3p	1SDA066890R1	1/2 Kit - 4p	1SDH000719R0805	1SDH000719R0105								
1SDA066889R1	1/2 Kit - 3p														
1SDA066890R1	1/2 Kit - 4p														
FC Cu 14...1/0 AWG⁽¹⁾	<table border="1"> <tr><td>1SDA075869R1</td><td>1/2 Kit - 3p</td></tr> <tr><td>1SDA075870R1</td><td>1/2 Kit - 4p</td></tr> </table>	1SDA075869R1	1/2 Kit - 3p	1SDA075870R1	1/2 Kit - 4p	1SDH000719R0807									
1SDA075869R1	1/2 Kit - 3p														
1SDA075870R1	1/2 Kit - 4p														
FC Cu 14...1/0 AWG	<table border="1"> <tr><td>1SDA075873R1</td><td>1/2 Kit - 3p</td></tr> </table>	1SDA075873R1	1/2 Kit - 3p	1SDH000719R0807											
1SDA075873R1	1/2 Kit - 3p														
FC Cu Al 10...2/0 AWG	<table border="1"> <tr><td>1SDA114851R1</td><td>1/2 Kit - 2p</td></tr> <tr><td>1SDA075837R1</td><td>1/2 Kit - 3p</td></tr> <tr><td>1SDA075838R1</td><td>1/2 Kit - 4p</td></tr> <tr><td>1SDA085583R1</td><td>1/2 Kit - 3p</td><td>AuxV</td></tr> <tr><td>1SDA085584R1</td><td>1/2 Kit - 4p</td><td>AuxV</td></tr> </table>	1SDA114851R1	1/2 Kit - 2p	1SDA075837R1	1/2 Kit - 3p	1SDA075838R1	1/2 Kit - 4p	1SDA085583R1	1/2 Kit - 3p	AuxV	1SDA085584R1	1/2 Kit - 4p	AuxV	1SDH000719R0806	1SDH000719R0106
1SDA114851R1	1/2 Kit - 2p														
1SDA075837R1	1/2 Kit - 3p														
1SDA075838R1	1/2 Kit - 4p														
1SDA085583R1	1/2 Kit - 3p	AuxV													
1SDA085584R1	1/2 Kit - 4p	AuxV													
MC Cu 6x14...2 AWG	<table border="1"> <tr><td>1SDA075897R1</td><td>1/2 Kit - 3p</td></tr> <tr><td>1SDA075898R1</td><td>1/2 Kit - 4p</td></tr> </table>	1SDA075897R1	1/2 Kit - 3p	1SDA075898R1	1/2 Kit - 4p	1SDH000719R0818	1SDH000719R0107								
1SDA075897R1	1/2 Kit - 3p														
1SDA075898R1	1/2 Kit - 4p														
HR/VR	<table border="1"> <tr><td>1SDA066268R1</td><td>1/2 Kit - 3p</td></tr> <tr><td>1SDA066269R1</td><td>1/2 Kit - 4p</td></tr> </table>	1SDA066268R1	1/2 Kit - 3p	1SDA066269R1	1/2 Kit - 4p	1SDH000719R0813	1SDH000719R0109								
1SDA066268R1	1/2 Kit - 3p														
1SDA066269R1	1/2 Kit - 4p														
R-RC	<table border="1"> <tr><td>1SDA066953R1</td><td>1/2 Kit - 4p</td></tr> </table>	1SDA066953R1	1/2 Kit - 4p	1SDH000719R0810											
1SDA066953R1	1/2 Kit - 4p														
FB	<table border="1"> <tr><td>1SDA066957R1</td><td>1/2 Kit - 3p</td></tr> <tr><td>1SDA066958R1</td><td>1/2 Kit - 4p</td></tr> </table>	1SDA066957R1	1/2 Kit - 3p	1SDA066958R1	1/2 Kit - 4p	1SDH000719R0814									
1SDA066957R1	1/2 Kit - 3p														
1SDA066958R1	1/2 Kit - 4p														
ADAPTER	<table border="1"> <tr><td>1SDA066305R1</td><td>1/2 Kit - 3p</td></tr> <tr><td>1SDA066306R1</td><td>1/2 Kit - 4p</td></tr> </table>	1SDA066305R1	1/2 Kit - 3p	1SDA066306R1	1/2 Kit - 4p	1SDH000719R0902									
1SDA066305R1	1/2 Kit - 3p														
1SDA066306R1	1/2 Kit - 4p														

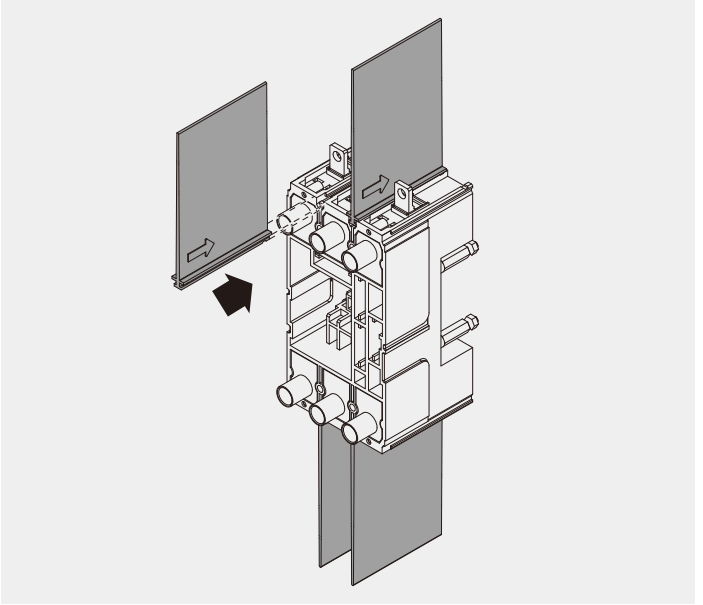
⁽¹⁾ Not suitable for MA trip units

15



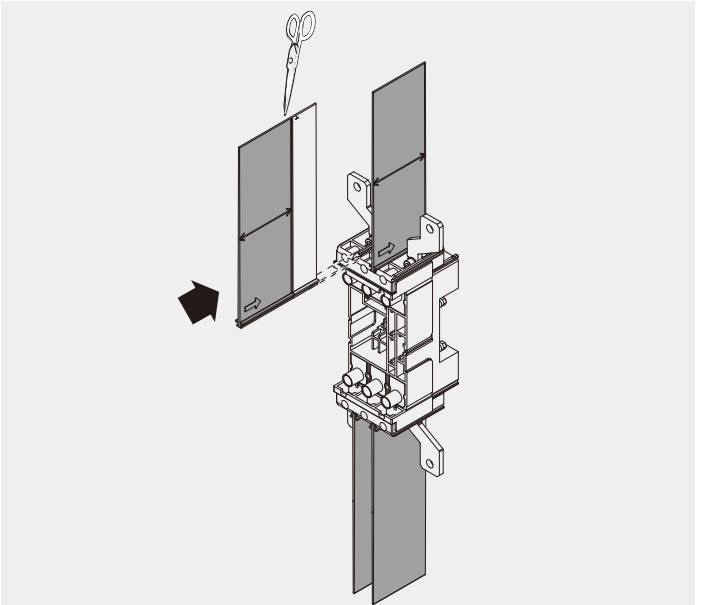
16

P-EF Fixing at 70mm/2,76"



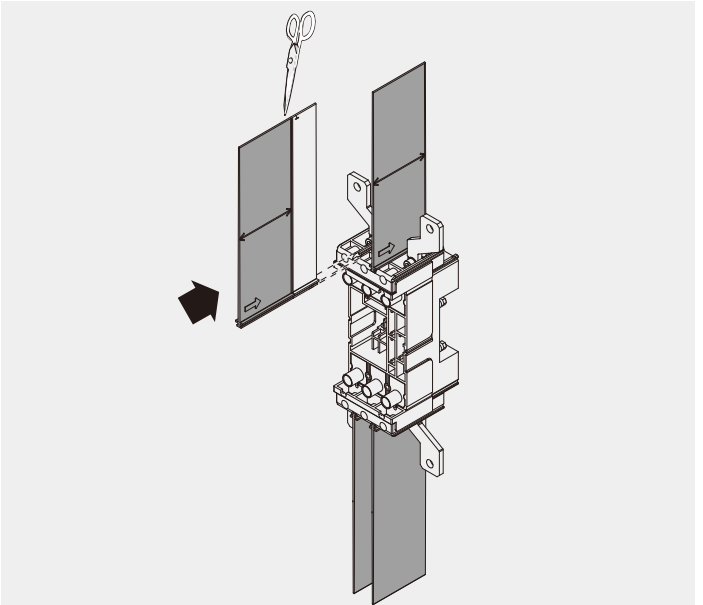
17

P-EF Fixing at 50mm/1,97"



18

P-ES



For more information please contact:
 ABB S.p.A.
 Via Pescaria, 5
 24123 Bergamo - Italy
 Phone: +39 035 395 111