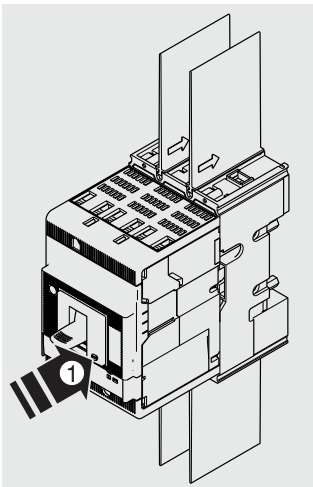


SACE Tmax XT IEC-UL

Istruzioni di installazione parte fissa di interruttore rimovibile XT2
Installation instructions fixed part for plug-in circuit breakers XT2
Installationsanleitung festteil für leistungsschalter in ausfahrbarer ausführung XT2
Instructions pour l'installation partie fixe pour disjoncteur debrochable XT2
Instrucciones de instalación parte fija para interruptor extraíble XT2
安装说明书插入式断路器固定部分 XT2

3p-4p



Usare cavi o barre isolate/ o eseguire prove di tipo specifiche sull' installazione.

Use cable or insulated busbars/ or perform specific type test on the installation.

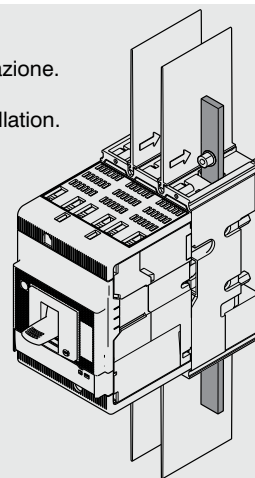
Kabel oder isolierte Sammelschienen verwenden / oder die spezifische Typprüfung auf der Installation durchführen.

Utiliser un câble ou des barres isolées/ ou réaliser un test de type spécifique sur installation.

Utilizar un cable o barras aisladas / o efectuar una prueba de tipo específico sobre instalación.

使用电缆或经绝缘处理的母排，
否则需对安装进行指定的型式试验

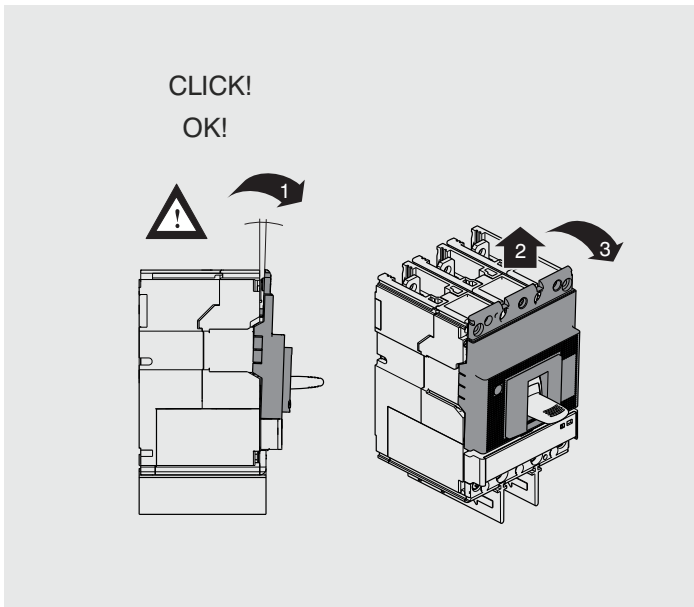
3p-4p



3P - 4P													
EF	P	1				1				1			
	W		1			1				1			1
HR	P	1				1				1			
	W		1			1				1			1
VR	P	1				1				1			
	W		1			1				1			1

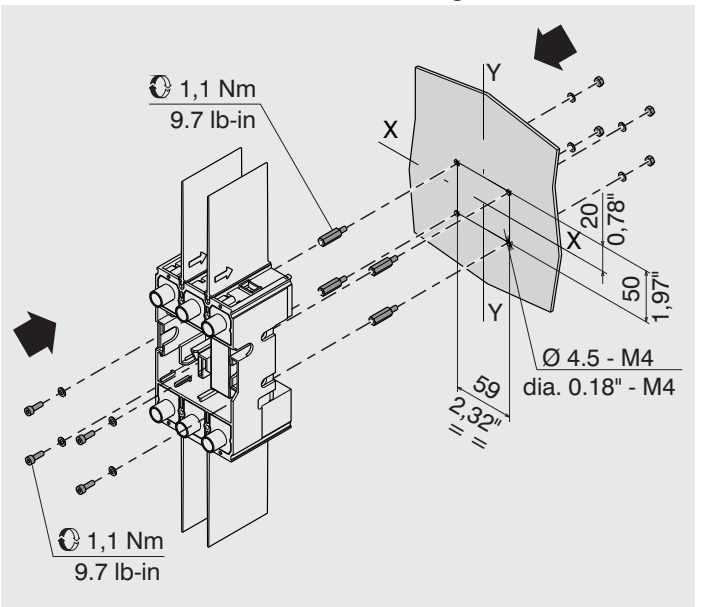
			Fixing at 70 mm/2.76"				
		LENGHT 16mm (0.63")	M	CH 7 M	CH 7 M		
P - W	3P	4	4	8	4	EF	
	4P	4	4	8	4	P - W	
						3P	4
						4P	6

1



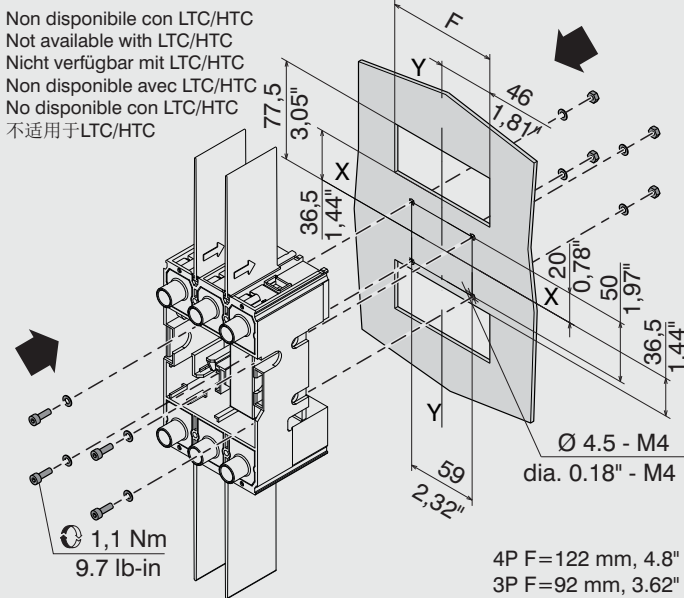
2

P Fixing at 70mm/2.76" EF



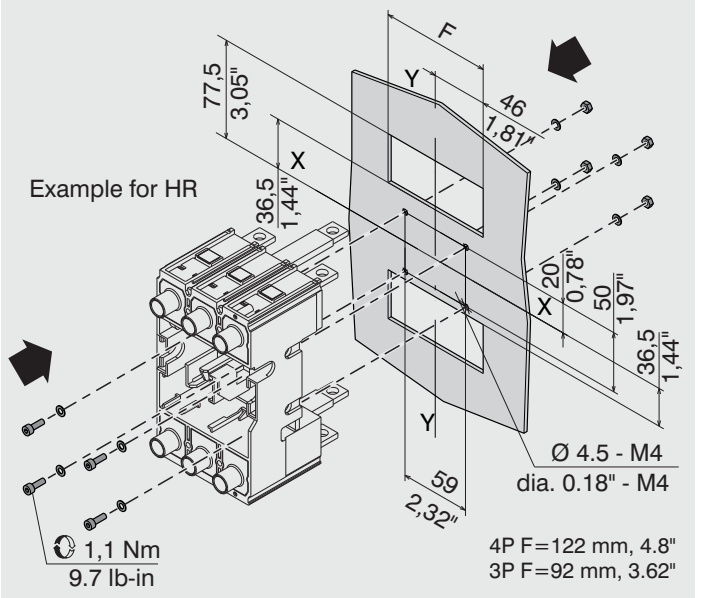
3

P Fixing at 50mm/1.97" EF



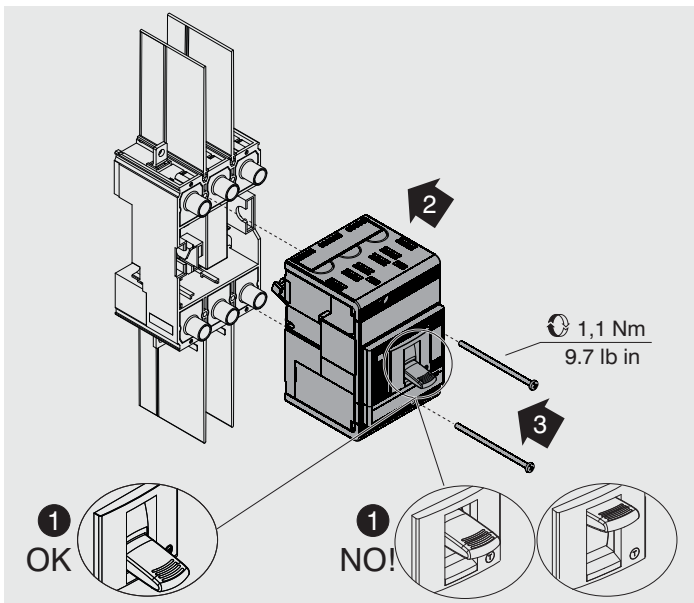
4

P Fixing at 50mm/1.97" HR-VR



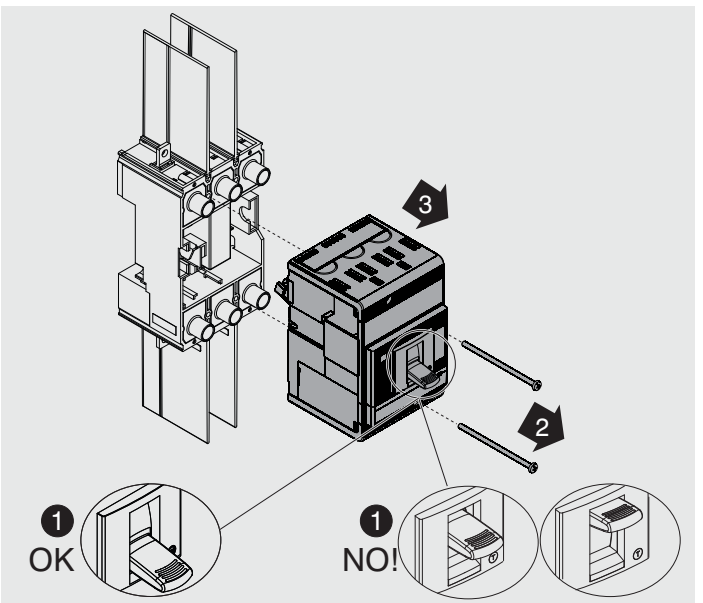
5

P



6

P



XT2 WITHOUT FLANGE SENZA MOSTRINA		A		B	C	D	E
		50/1.97"	70/2.76"				
3P-4P		141,5	161,5	43	47	17	23,5
		5,57"	6,36"	1,69"	1,85"	0,67"	0,93"
3P		133,5	153,5	75	86	25	43
		5,26"	6,04"	2,95"	3,39"	0,98"	1,69"
4P		133,5	153,5	75	116	25	43
		5,26"	6,04"	2,95"	4,57"	0,98"	1,69"

XT2 WITH FLANGE CON MOSTRINA		A		B	C	D	E
		50/1.97"	70/2.76"				
3P		136	156	83	94	29	47
		5,35"	6,14"	3,27"	3,7"	1,14"	1,85"
4P		136	156	83	124	29	47
		5,35"	6,14"	3,27"	4,88"	1,14"	1,85"

Diagram illustrating the W fixing process at 70 mm/2.76" EF. The diagram shows the terminal block being fixed to a panel with dimensions X, Y, 20, 50, 59, 2.32, 1.97, 0.78, dia 4.5 - M4, and dia.0.18 - M4.

Non disponibile con LTC/HTC
 Not available with LTC/HTC
 Nicht verfügbar mit LTC/HTC
 Non disponible avec LTC/HTC
 No disponible con LTC/HTC
 不适用于LTC/HTC

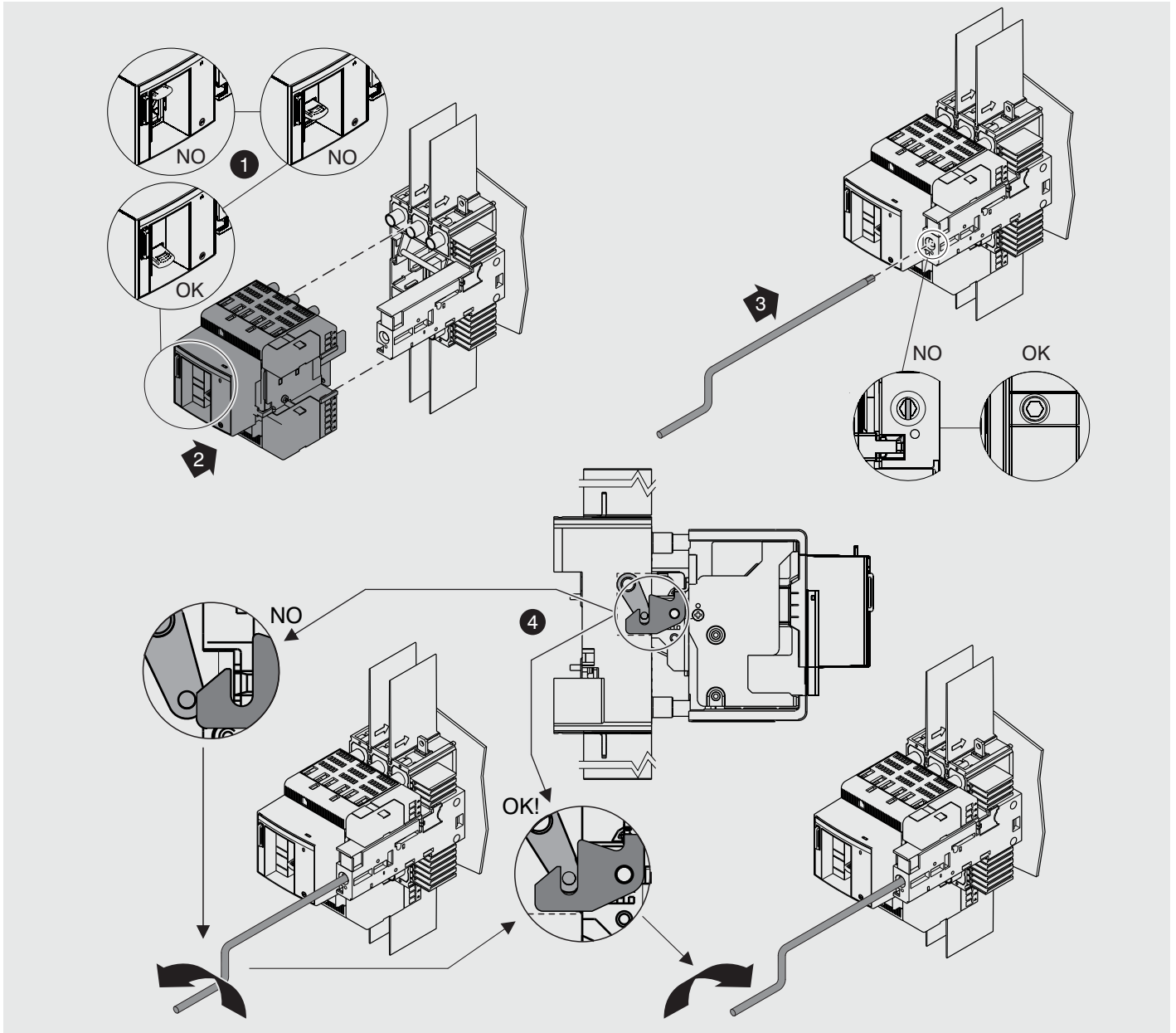
Diagram illustrating the W fixing process at 50 mm/1.97" EF. The diagram shows the terminal block being fixed to a panel with dimensions X, Y, F, 46, 77.5, 3.05, 36.5, 1.44, 20, 0.78, 50, 1.97, 36.5, 1.44, 59, 2.32, dia 4.5 - M4, and dia.0.18 - M4.

4P F=122 mm, 4.8"
 3P F=92 mm, 3.62"

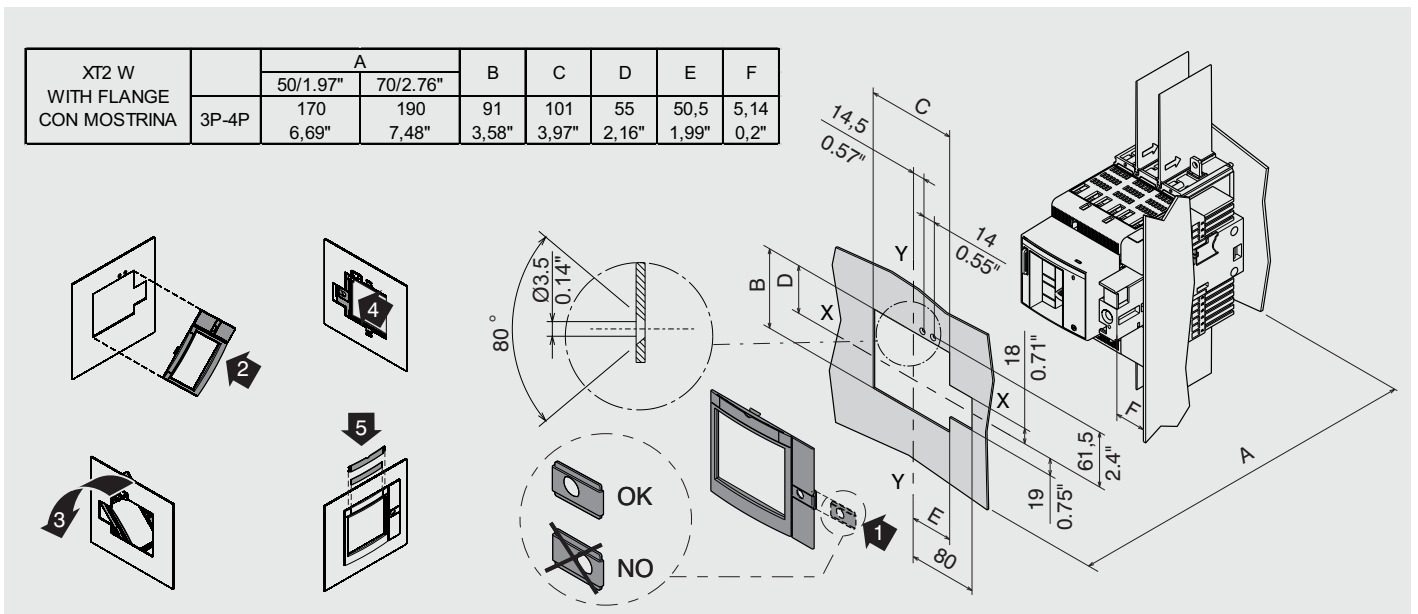
Example for HR

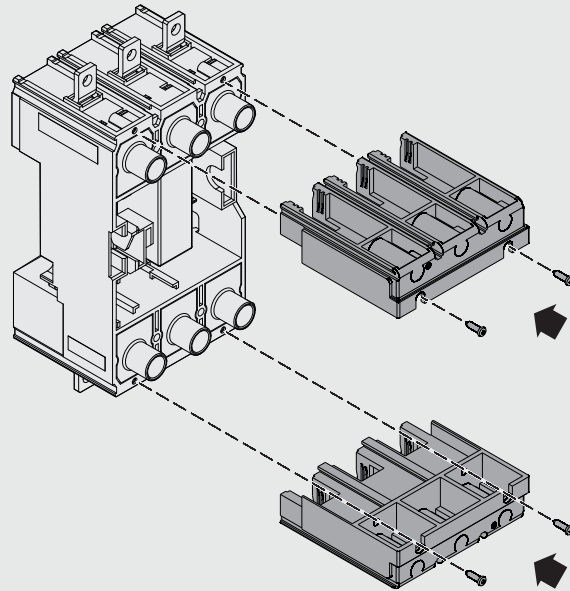
Diagram illustrating the W fixing process at 50 mm/1.97" HR-VR. The diagram shows the terminal block being fixed to a panel with dimensions X, Y, F, 46, 77.5, 3.05, 36.5, 1.44, 20, 0.78, 50, 1.97, 36.5, 1.44, 59, 2.32, dia 4.5 - M4, and dia.0.18 - M4.

4P F=122 mm, 4.8"
 3P F=92 mm, 3.62"

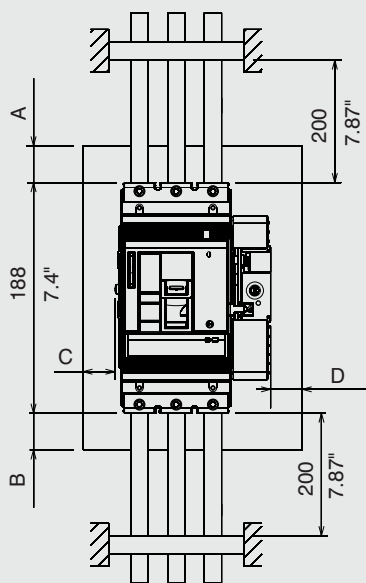
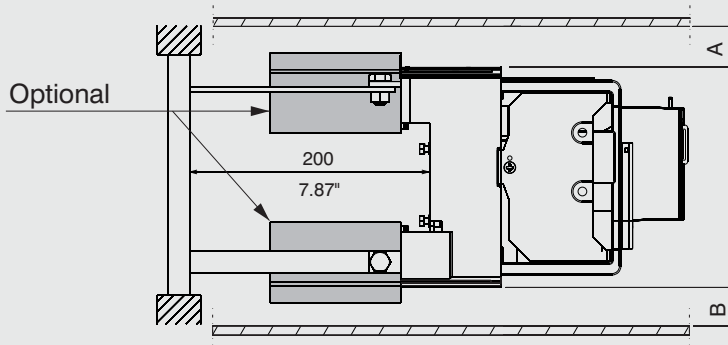


XT2 W WITH FLANGE CON MOSTRINA	3P-4P	A		B	C	D	E	F
		50/1.97"	70/2.76"					
		170	190	91	101	55	50,5	5,14
		6,69"	7,48"	3,58"	3,97"	2,16"	1,99"	0,2"

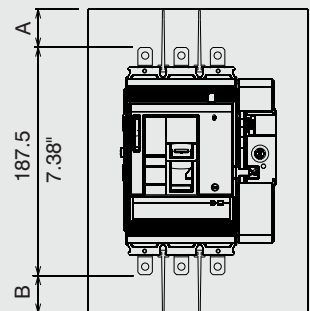
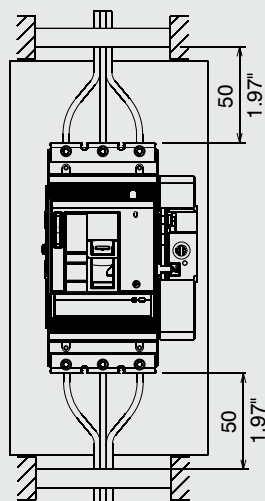




Only for:
FC Cu
FC Cu AL
MC



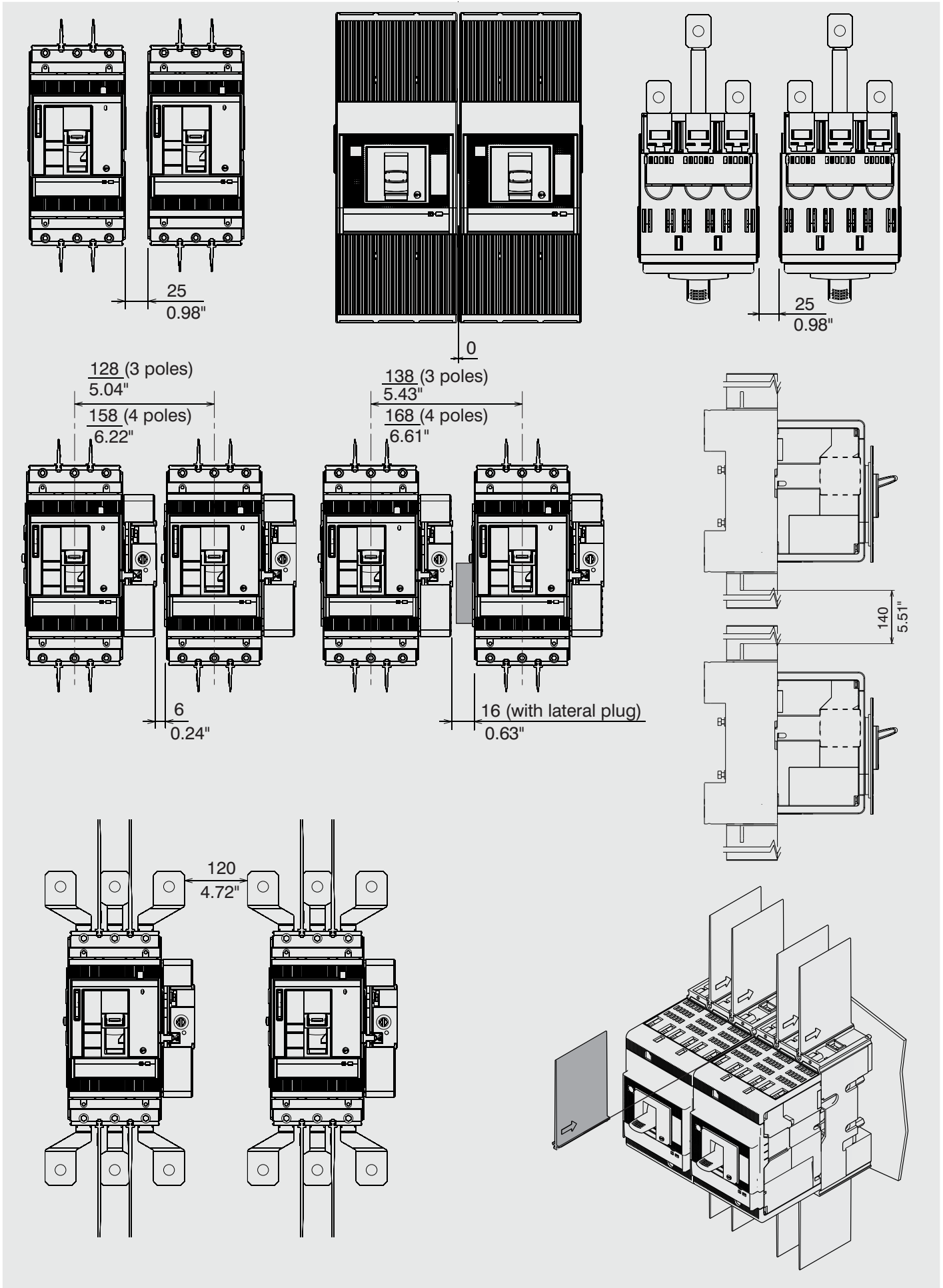
Example cables 2,5 ÷ 10mm²



Example busbars and cables 16 ÷ 70mm²

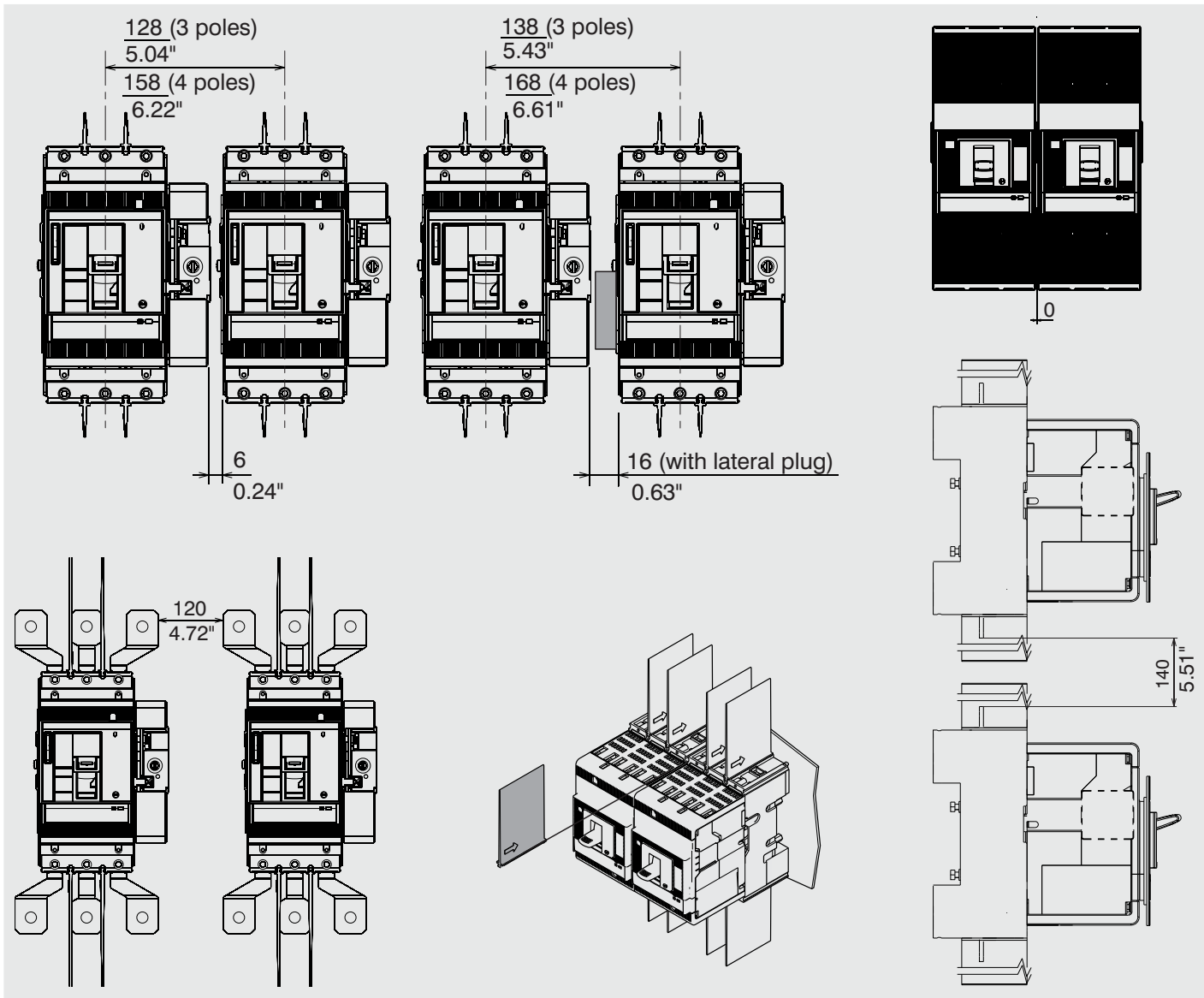
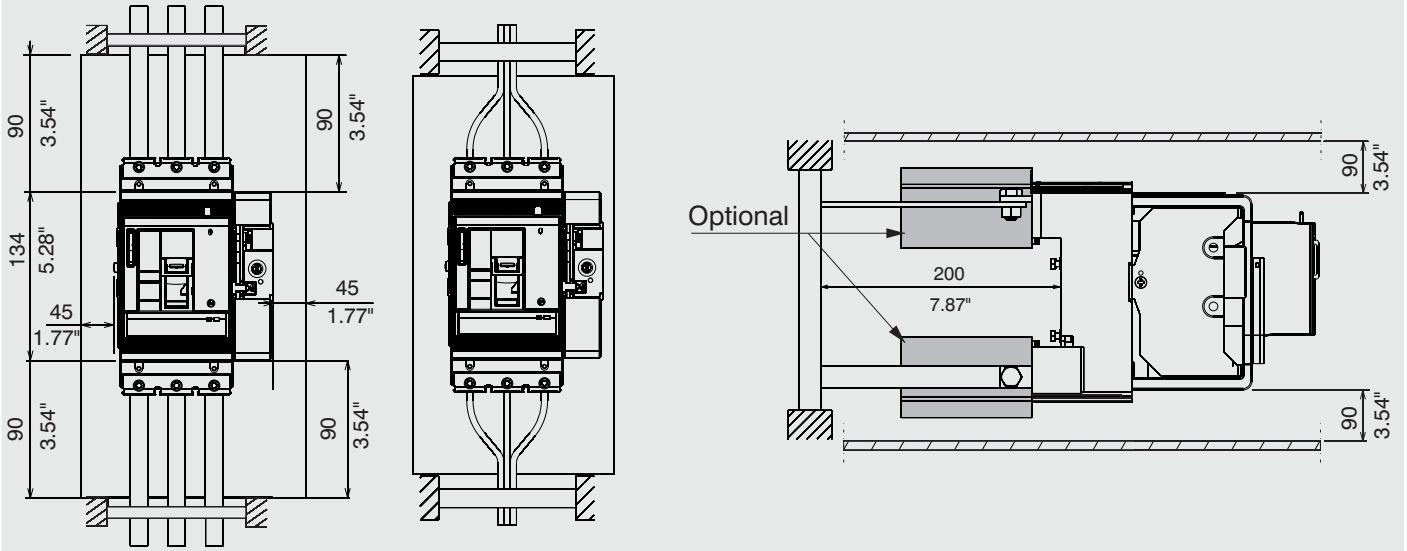
Ue	A	B	C	D
AC ≥440V	50	45	20	0
AC <440V	30	25	10	0
DC ≤250V	50	45	50	30
250V < DC ≤500V	50	45	50	30

Ue	A	B	C	D
AC ≥440V	1.97"	1.77"	0.79"	0
AC <440V	1.18"	0.98"	0.39"	0
DC ≤250V	1.97"	1.77"	1.97"	1.18"
250V < DC ≤500V	1.97"	1.77"	1.97"	1.18"



Example busbars and cables 6 AWG... 1/0 AWG

Example cables 8 AWG... 14 AWG



Terminali Terminals Anschlusse Prises Terminales 端子类型	Codici Codes Codes Codes Códigos 物料编号	Istruzioni d'installazione Installation instructions Installationsanleitung Instructions pour l'installation Instrucciones de instalación 安装说明	Dimensioni di ingombro Overall dimensions Abmessungen Dimensions d'encombrement Dimensiones generales 全部尺寸		
EF	1SDA066262R1	1/2 Kt - 3p	1SDH000719R0817	1SDH000721R0108	P
	1SDA066263R1	1/2 kit - 4p		1SDH000721R0113	W
ES	1SDA066893R1	1/2 Kt - 3p	1SDH000719R0805	1SDH000721R0105	P
	1SDA066894R1	1/2 kit - 4p		1SDH000721R0110	W
FC Cu	1SDA066909R1	1/2 Kt - 3p	1SDH000719R0807	1SDH000721R0107	P
	1SDA066910R1	1/2 kit - 4p		1SDH000721R0112	W
FC Cu Al 1...95mm ²	1SDA067163R1	1/2 Kt - 3p	1SDH000719R0806	1SDH000721R0106	P
	1SDA067164R1	1/2 kit - 4p		1SDH000721R0111	W
FC Cu Al 70...185mm ²	1SDA067167R1	1/2 Kt - 3p	1SDH000719R0816	1SDH000721R0137	P
	1SDA067168R1	1/2 kit - 4p		1SDH000721R0138	W
FC Cu Al 120...240mm ²	1SDA067171R1	1/2 Kt - 3p	1SDH000719R0643		
	1SDA067172R1	1/2 kit - 4p			
FC Cu Al 2x35...70mm ²	1SDA067175R1	1/2 Kt - 3p	1SDH000719R0816		
	1SDA067176R1	1/2 kit - 4p			
FC Cu Al 2x50...95mm ²	1SDA117911R1	1/2 Kt - 3p	1SDH000719R0806	1SDH000721R0140	P
	1SDA117912R1	1/2 kit - 4p		1SDH000721R0141	W
MC	1SDA066925R1	1/2 Kt - 3p	1SDH000719R0808	1SDH000721R0107	P
	1SDA066926R1	1/2 kit - 4p		1SDH000721R0112	W
HR/VR	1SDA066270R1	1/2 Kt - 3p	1SDH000719R0813	1SDH000721R0109	P
	1SDA066271R1	1/2 kit - 4p		1SDH000721R0114	W
FB	1SDA066961R1	1/2 Kt - 3p	1SDH000719R0814		
	1SDA066962R1	1/2 kit - 4p			
ADAPTER	1SDA066307R1	1/2 Kt - 3p	1SDH000719R0902		
	1SDA066308R1	1/2 kit - 4p			

Terminali Terminals Anschlusse Prises Terminales 端子类型	Codici Codes Codes Codes Códigos 物料编号	Istruzioni d'installazione Installation instructions Installationsanleitung Instructions pour l'installation Instrucciones de instalación 安装说明	Dimensioni di ingombro Overall dimensions Abmessungen Dimensions d'encombrement Dimensiones generales 全部尺寸
EF	1SDA066262R1 1/2 Kt - 3p	1SDH000719R0817	1SDH000721R0108 P 1SDH000721R0113 W
	1SDA066263R1 1/2 kit - 4p		
ES	1SDA066893R1 1/2 Kt - 3p	1SDH000719R0805	1SDH000721R0105 P 1SDH000721R0110 W
	1SDA066894R1 1/2 kit - 4p		
FC Cu 14...1/0 AWG	1SDA075881R1 1/2 Kt - 3p	1SDH000719R0807	1SDH000721R0107 P 1SDH000721R0112 W
	1SDA075882R1 1/2 kit - 4p		
FC Cu Al 14-1/0 AWG	1SDA075841R1 1/2 Kt - 3p	1SDH000719R0806	1SDH000721R0106 P 1SDH000721R0111 W
	1SDA075842R1 1/2 kit - 4p		
FC Cu Al 10-2/0 AWG	1SDA114852R1 1/2 Kt - 2p	1SDH000719R0806	
	1SDA085585R1 1/2 Kt - 3p		
	1SDA085586R1 1/2 kit - 4p		
	1SDA085589R1 1/2 Kt - 3p Aux		
	1SDA085590R1 1/2 kit - 4p Aux		
MC	1SDA075901R1 1/2 Kt - 3p	1SDH000719R0818	1SDH000721R0107 P 1SDH000721R0112 W
	1SDA075902R1 1/2 kit - 4p		
HR/VR	1SDA066270R1 1/2 Kt - 3p	1SDH000719R0813	1SDH000721R0109 P 1SDH000721R0114 W
	1SDA066271R1 1/2 kit - 4p		
FB	1SDA066961R1 1/2 Kt - 3p	1SDH000719R0814	
	1SDA066962R1 1/2 kit - 4p		
ADAPTER	1SDA066307R1 1/2 Kt - 3p	1SDH000719R0902	
	1SDA066308R1 1/2 kit - 4p		

