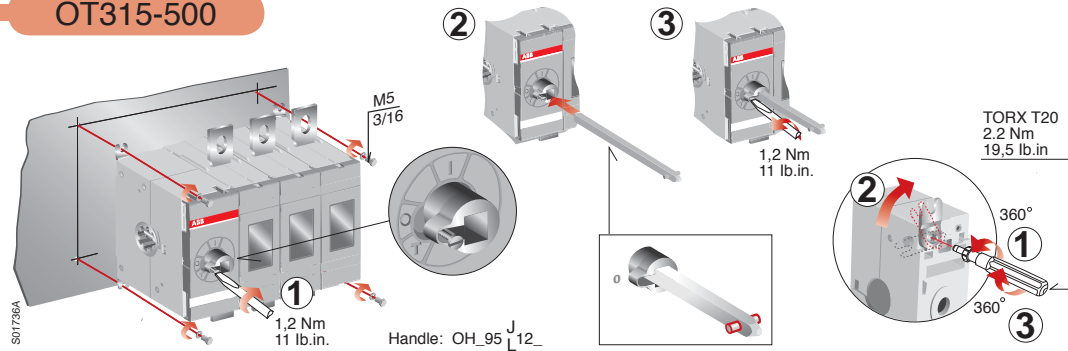
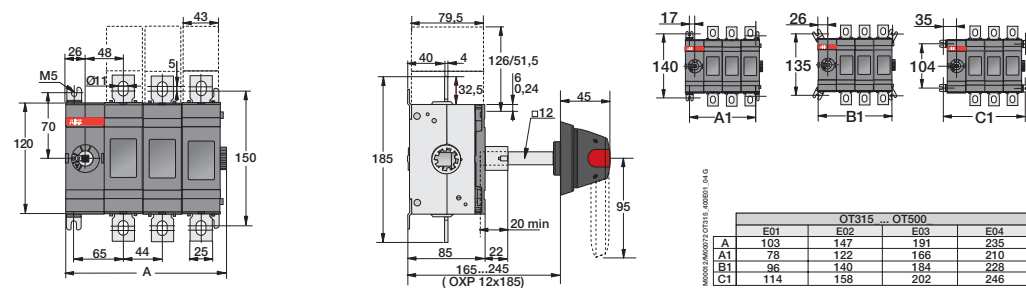


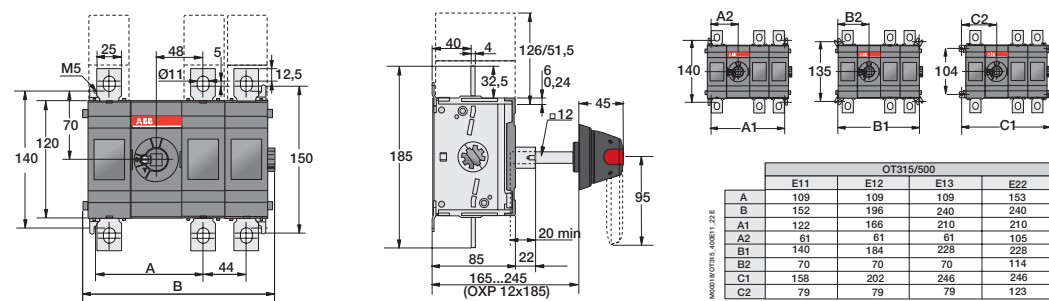
OT315-500



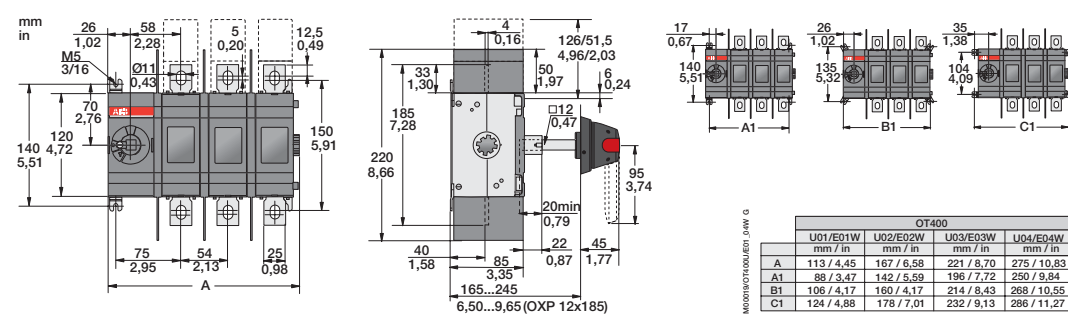
OT315-500E01-04



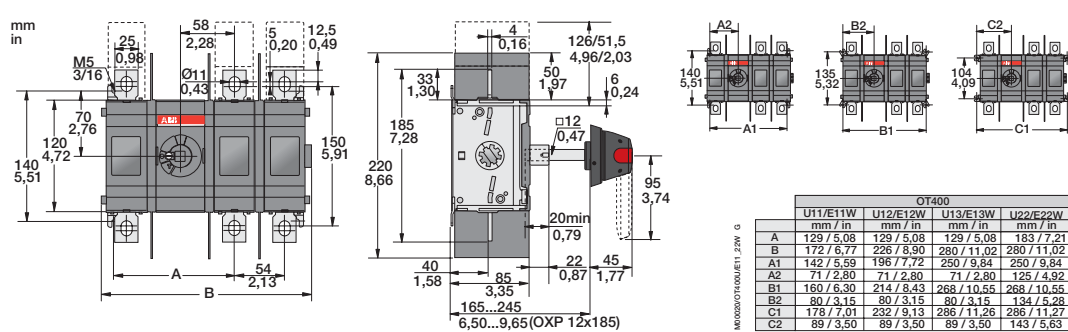
OT315-500E11-22



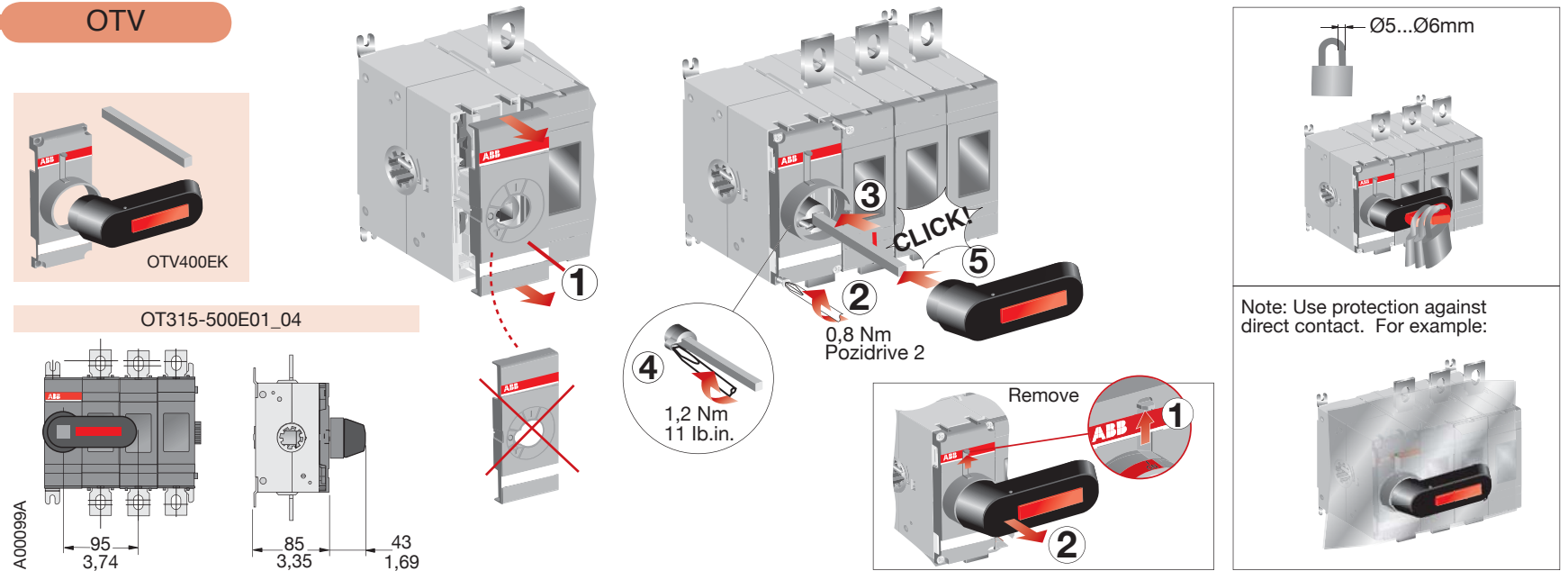
OT400U01-04



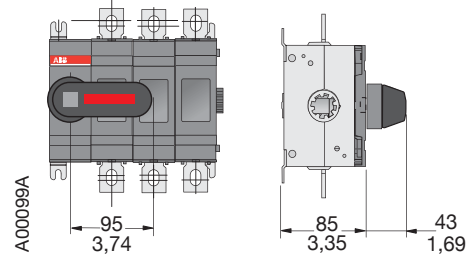
OT400U11-22



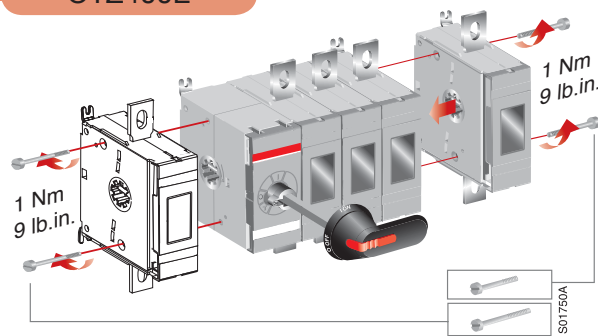
OTV



OT315-500E01_04



OTZ400E



Clearances per UL98

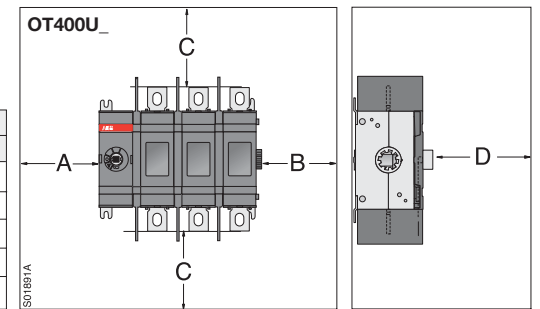
Height mm/in	600/23,6
Width mm/in	350/13,8
Depth mm/in	200/7,9

Minimum enclosure size or equivalent volume

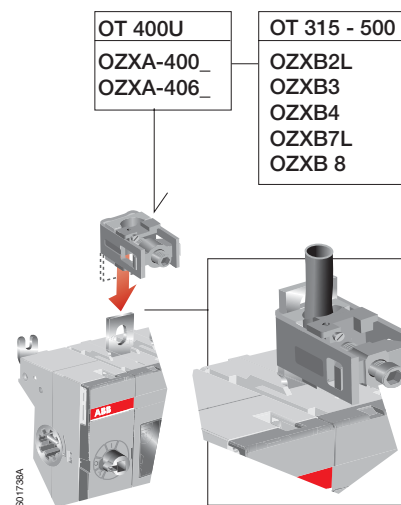
A	0
B	13mm 0,5in
D	13mm 0,5in

Cable size

AWG	C
2	100mm/4in
1	100mm/4in
1/0	125mm/5in
2/0	150mm/6in
3/0-4/0	175mm/7in

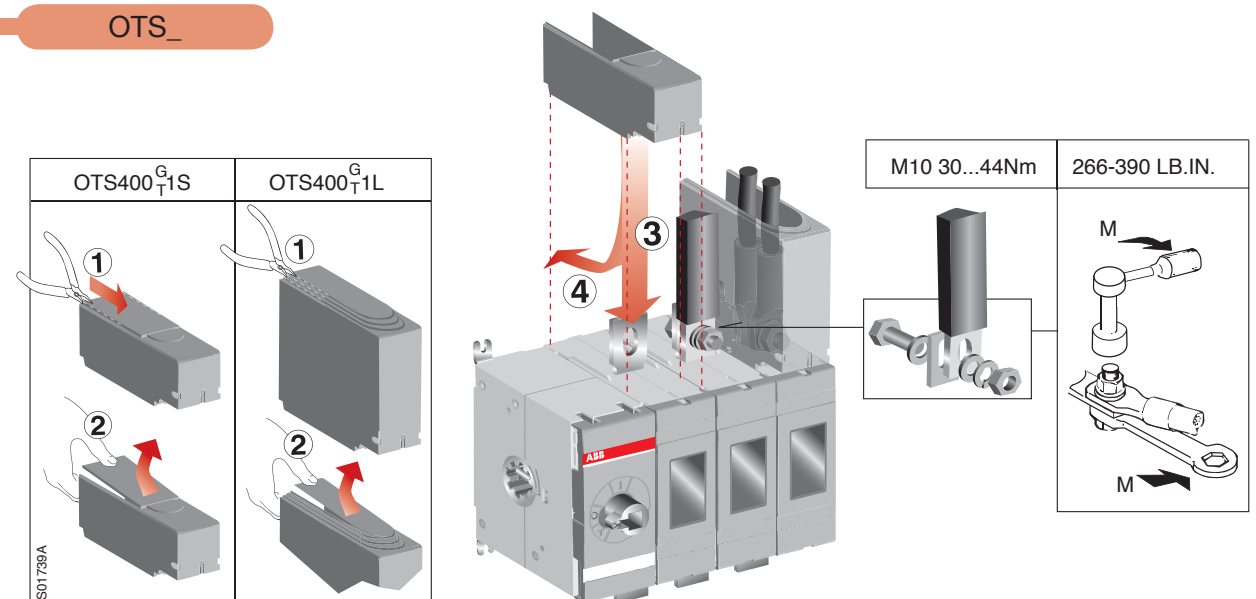


OZX_

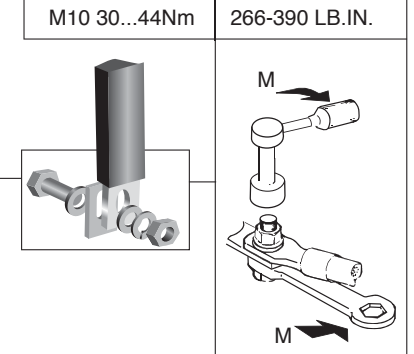


OT 400U	OT 315 - 500
OZXA-400	OZXB2L
OZXA-406_	OZXB3
	OZXB4
	OZXB7L
	OZXB 8

OTS_

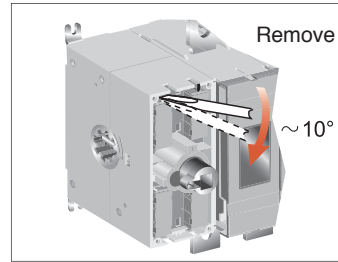
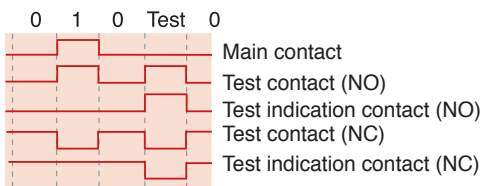
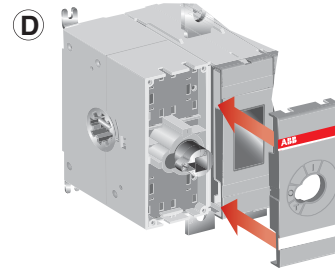
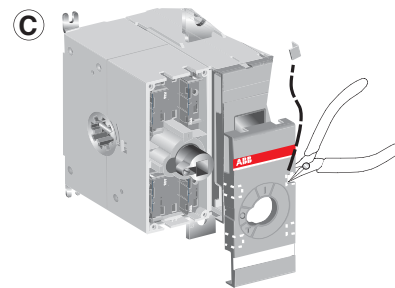
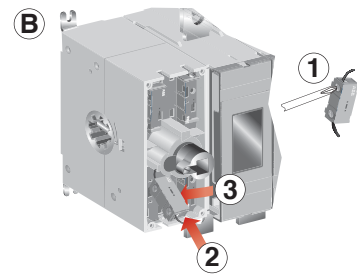
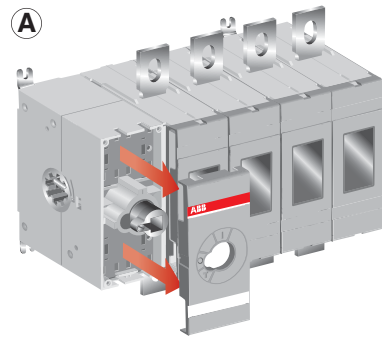
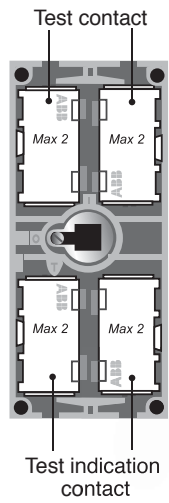


OTS400 ^G _{T1} S	OTS400 ^G _{T1} L
1	1
2	2



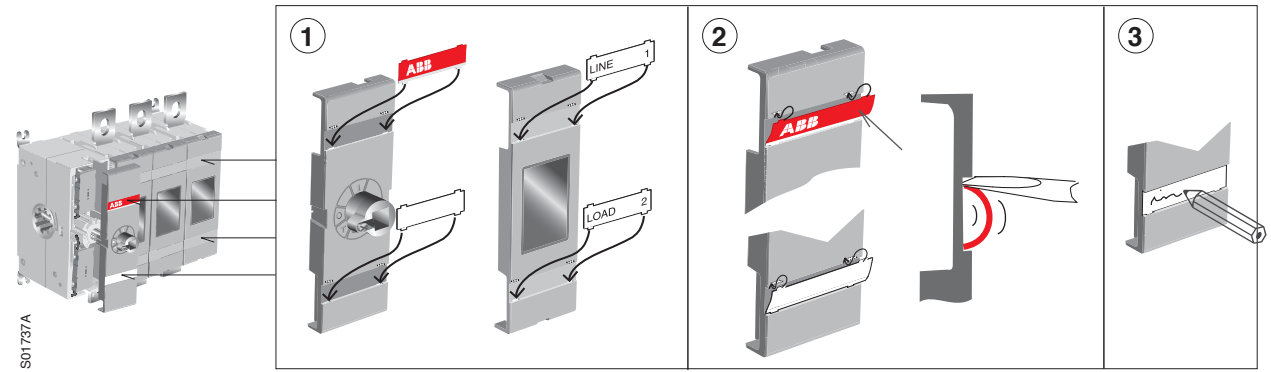
OA_

NO: OA1G10
NC: OA3G01



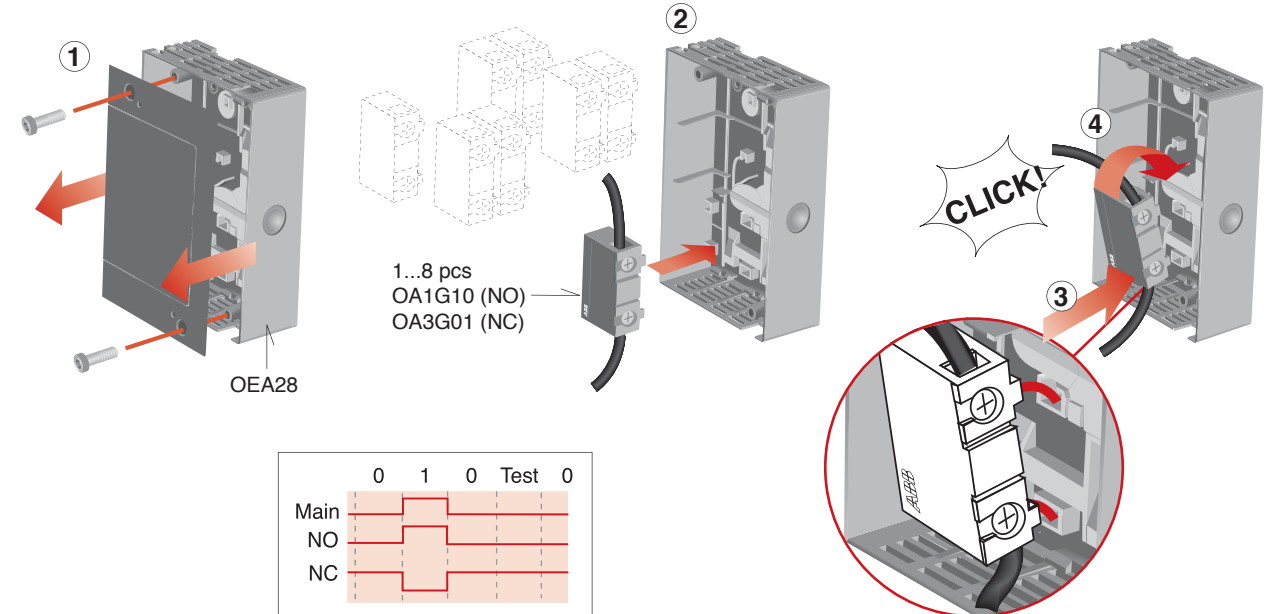
S01748A

Label

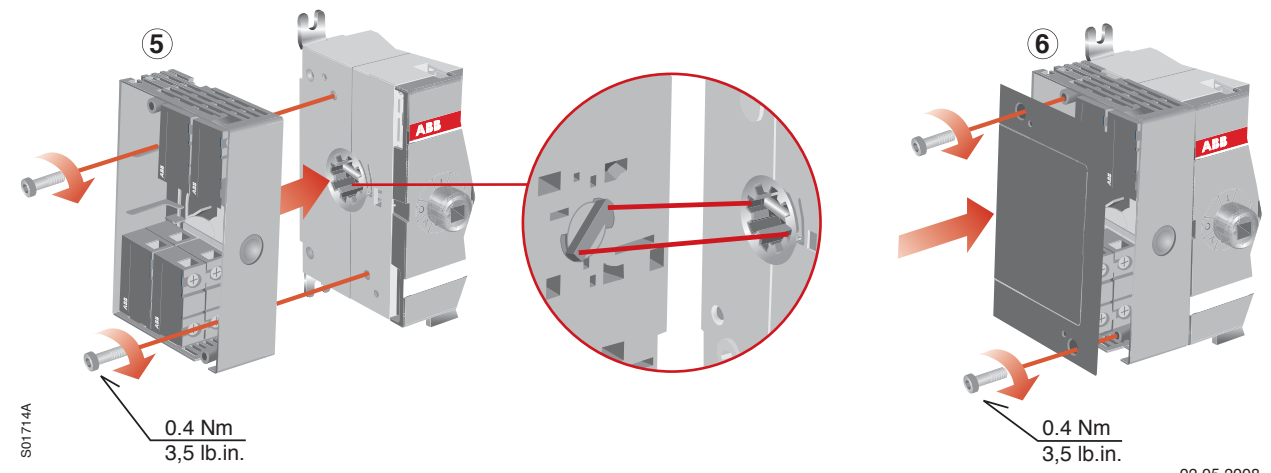
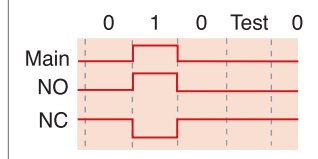


S01737A

OEA_



1...8 pcs
OA1G10 (NO)
OA3G01 (NC)



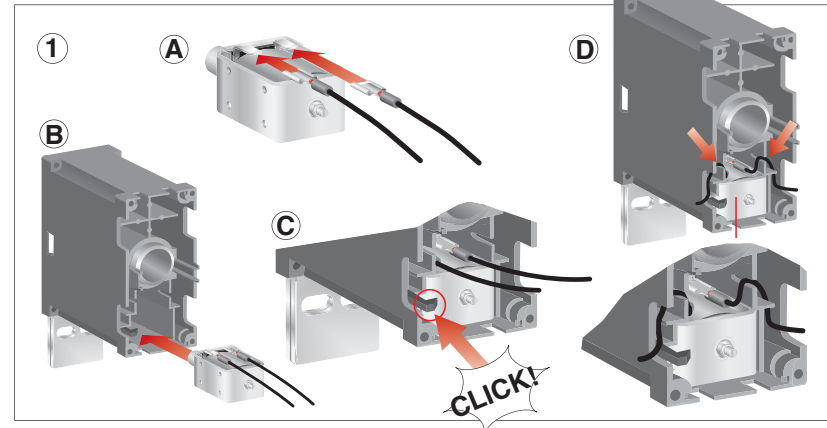
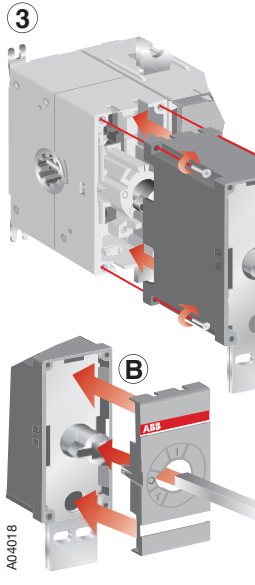
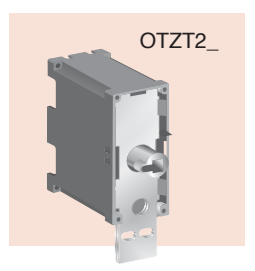
S01714A

0.4 Nm
3,5 lb.in.

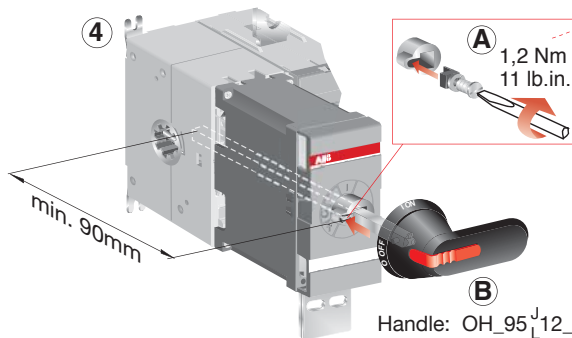
0.4 Nm
3,5 lb.in.

02.05.2008

OTZT2_



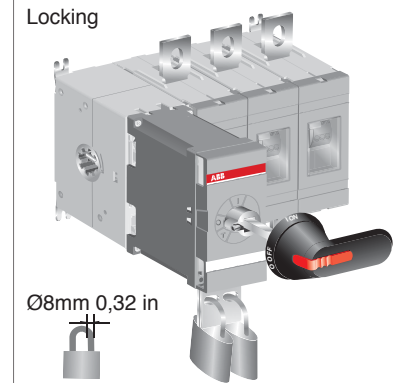
A 0,8Nm 7lb.in.
Torx 10



A 1,2 Nm
11 lb.in.

B Handle: OH_95_J12_

min. 90mm



Locking

Ø8mm 0,32 in