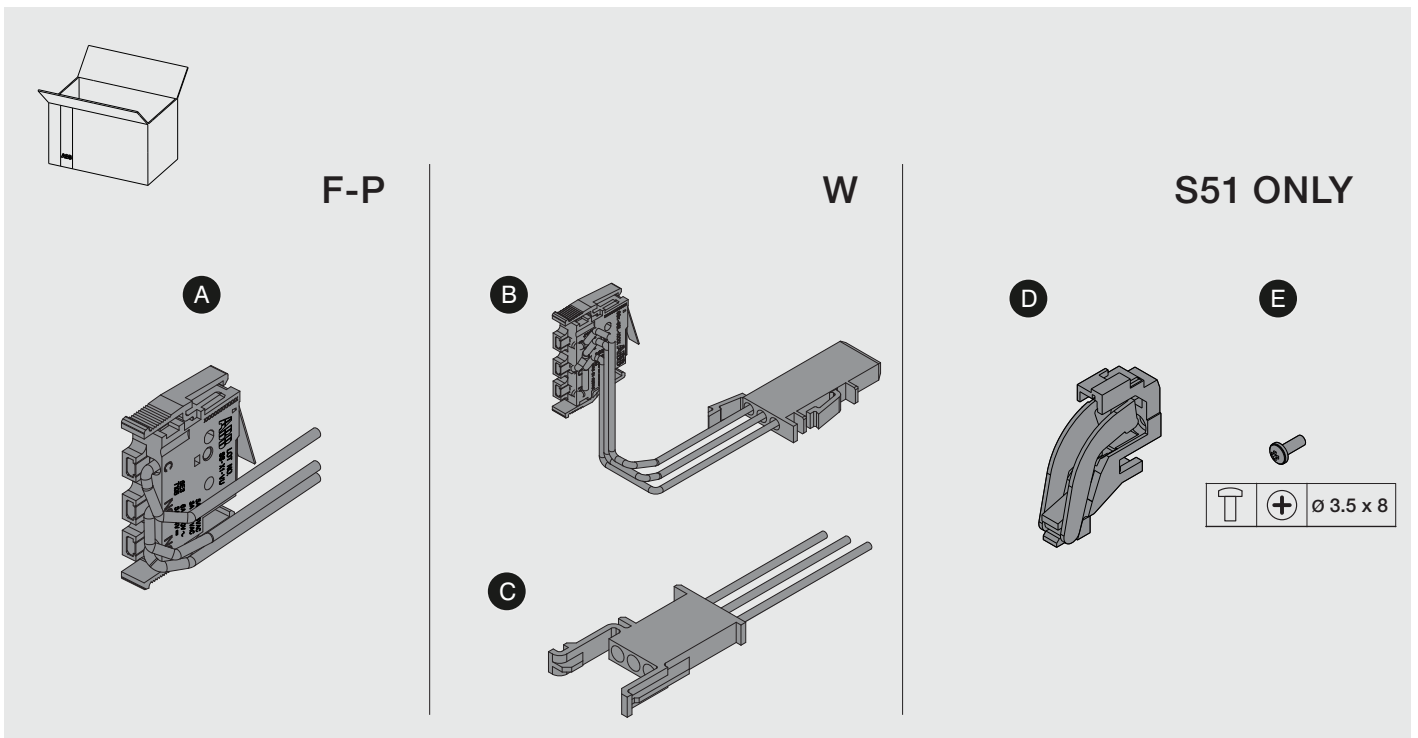
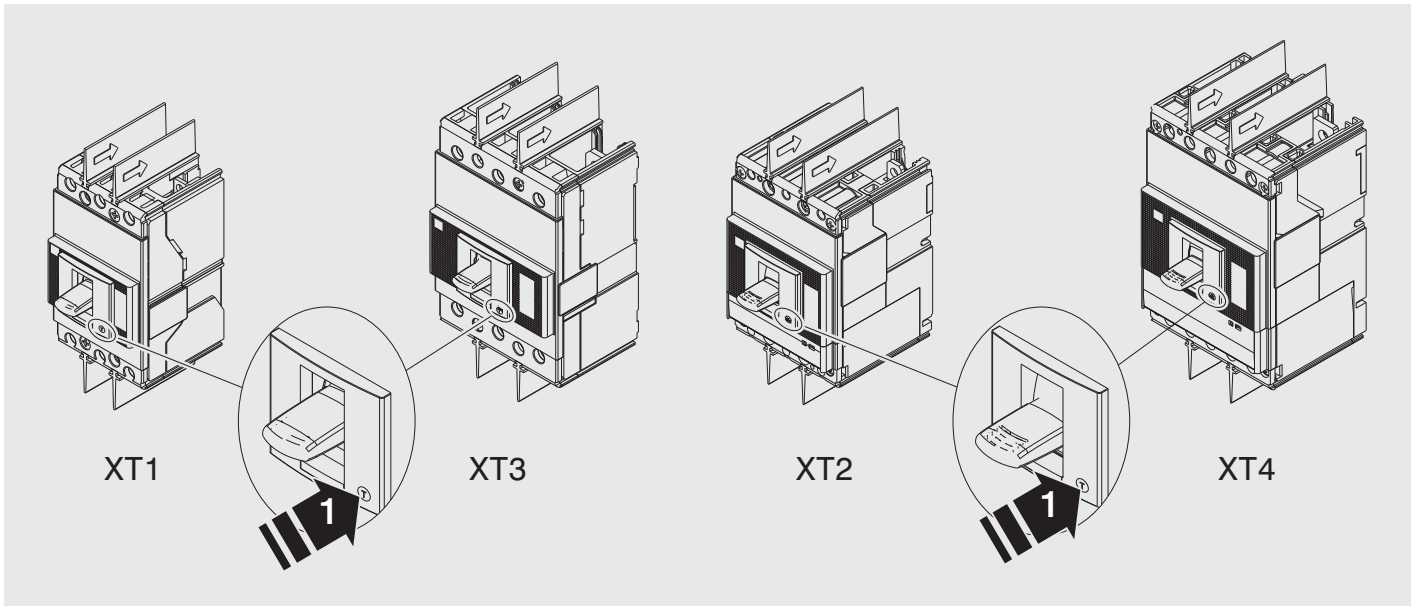


# SACE Tmax XT

AUX-C - Contatti ausiliari 250V-24V cablati XT1 - XT2 - XT3 - XT4 (S51; 1Q+1SY; 2Q+1SY; 3Q+1SY; 3Q+2SY; 2Q+2SY+1S51)  
 AUX-C - XT1 - XT2 - XT3 - XT4 wired auxiliary contacts 250V-24V (S51; 1Q+1SY; 2Q+1SY; 3Q+1SY; 3Q+2SY; 2Q+2SY+1S51)  
 AUX-C - Hilfskontakte 250V-24V, verdrahtet XT1 - XT2 - XT3 - XT4 (S51; 1Q+1SY; 2Q+1SY; 3Q+1SY; 3Q+2SY; 2Q+2SY+1S51)  
 AUX-C - Contacts auxiliaires 250V-24V câblés XT1 - XT2 - XT3 - XT4 (S51; 1Q+1SY; 2Q+1SY; 3Q+1SY; 3Q+2SY; 2Q+2SY+1S51)  
 AUX-C - Contactos auxiliares 250V-24V cableados XT1 - XT2 - XT3 - XT4 (S51; 1Q+1SY; 2Q+1SY; 3Q+1SY; 3Q+2SY; 2Q+2SY+1S51)  
 AUX-C - 带导线辅助触点 250V-24V XT1 - XT2 - XT3 - XT4 (S51; 1Q+1SY; 2Q+1SY; 3Q+1SY; 3Q+2SY; 2Q+2SY+1S51)

XT1 - XT2 - XT3 - XT4



IEC60947-5-1

GB/T14048.5



AUX 250V							
IEC	Voltage	Category / Current					
		AC-15	AC-14	AC-13	DC-14	DC-13	DC-12
	250Vac	4A	5A	6A	-	-	-
	125Vac	5A	6A	6A	-	-	-
	250Vdc	-	-	-	0.03A	0.03A	0.3A
	110Vdc	-	-	-	0.05A	0.05A	0.5A

U<sub>imp</sub> = 2.5kVU<sub>i</sub> = 300V

AUX 24V			
IEC	Voltage	max Current	min Current
	24Vdc	0.1A @ 30Vdc	1mA @ 5Vdc

AUX 250V		
UL	Voltage	max Current
	250Vac	3A
	125Vac	5A
	250Vdc	0.2A
	125Vdc	0.4A

AUX 24V(*)		
UL	Voltage	max Current
	125Vac	0.1A
	30Vdc	0.1A

(\*) per le correnti ammissibili a 24V vedere la tabella IEC

(\*) For allowed currents at 24V please refer to IEC table

(\*) Die zulässigen Ströme bei 24V entnehmen Sie der IEC-Tabelle

(\*) Pour les courants autorisés à 24V, se référer au tableau IEC.

(\*) Para las corrientes permitidas a 24 V, consulte la tabla de la IEC

(\*) 在24V情况下的允许电流值，请参考IEC表格”

SY/1

SY/2

Q/1

Q/2

Q/3

S51

CAVI  
CABLES  
KABEL  
CÂBLES  
CABLES  
导线

95-96-98

15-16-18

11-12-14

21-22-24

31-32-34

05-06-08

CONNETTORE ( W)  
CONNECTOR ( W)  
STECKVORRICHTUNG ( W)  
CONNECTEUR ( W)  
CONECTOR ( W)  
连接器( W)

JF2

JL3

JG3

JE2

JH3

JG2

F/P

XT1 XT2 XT3 XT4

1Q+1SY OK OK OK OK

2Q+1SY OK OK OK OK

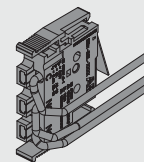
3Q+1SY NO OK OK OK

3Q+2SY NO OK NO OK

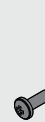
2Q+2SY+1S51 NO OK NO OK

1S51 NO OK NO OK

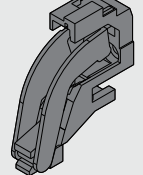
A



E



D



1Q+1SY SY/1+Q/2 - -

2Q+1SY SY/1+Q/1+Q/2 - -

3Q+1SY SY/1+Q/1+Q/2+Q/3 - -

3Q+2SY SY/1+SY/2+Q/1+Q/2+Q/3 - -

2Q+2SY+1S51 SY/1+SY/2+Q/2+Q/3+S51 1 1

1S51 S51 1 1

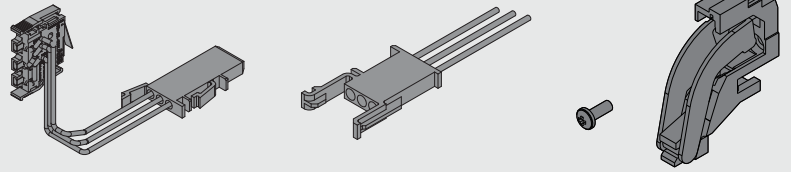
W

B

C

E

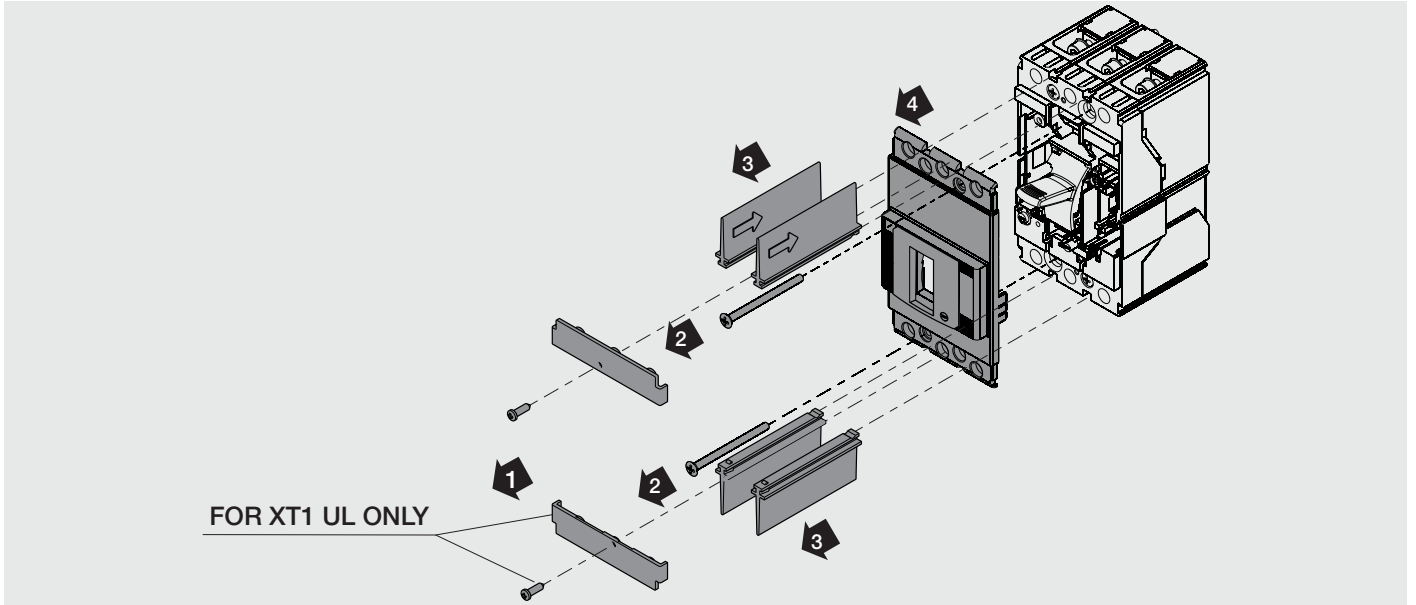
D



	XT2	XT4					
1Q+1SY	OK	OK	1Q+1SY	SY/1+Q/2	2(JE2+JF2)	-	-
3Q+1SY	OK	OK	3Q+1SY	SY/1+Q/1+Q/2+Q/3	4(JE2+JF2+JG3+JH3)	-	-
3Q+2SY	OK	OK	3Q+2SY	SY/1+SY/2+Q/1+Q/2+Q/3	5(JE2+JF2+JG3+JH3+JL3)	-	-
2Q+2SY+1S51	OK	OK	2Q+2SY+1S51	SY/1+SY/2+Q/2+Q/3+S51	5(JE2+JF2+JG2+JH3+JL3)	1	1
1S51	OK	OK	1S51	S51	1(JG2)	1	1

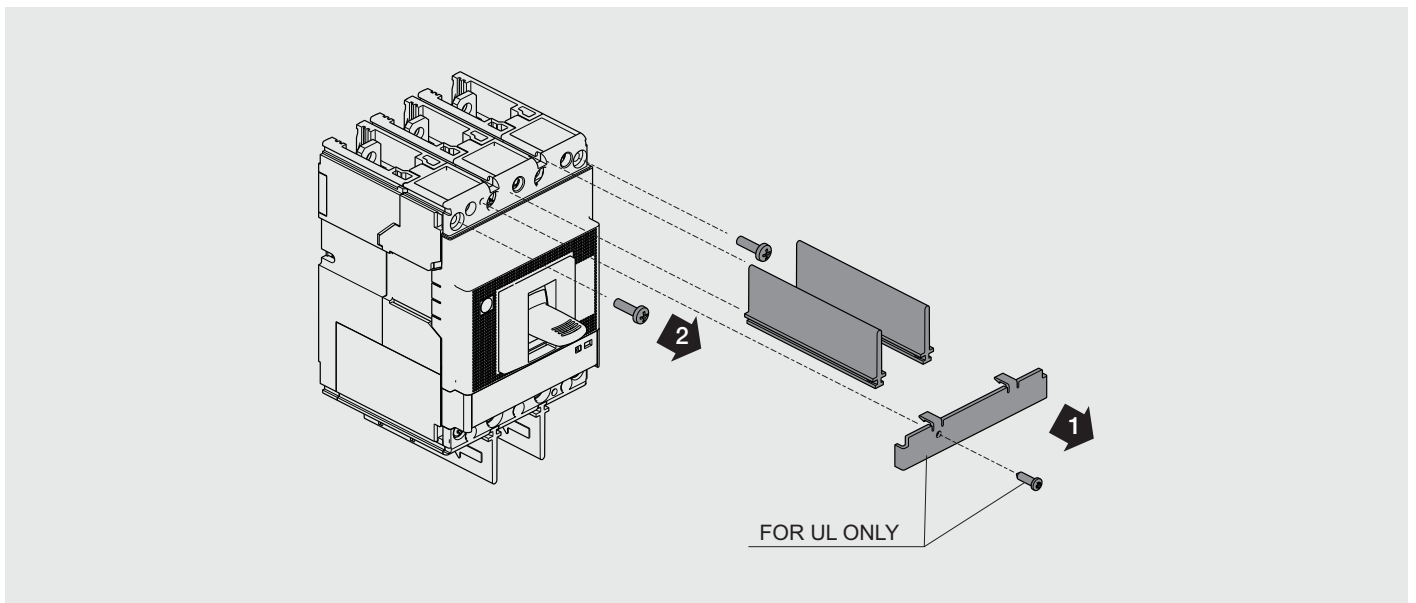
1

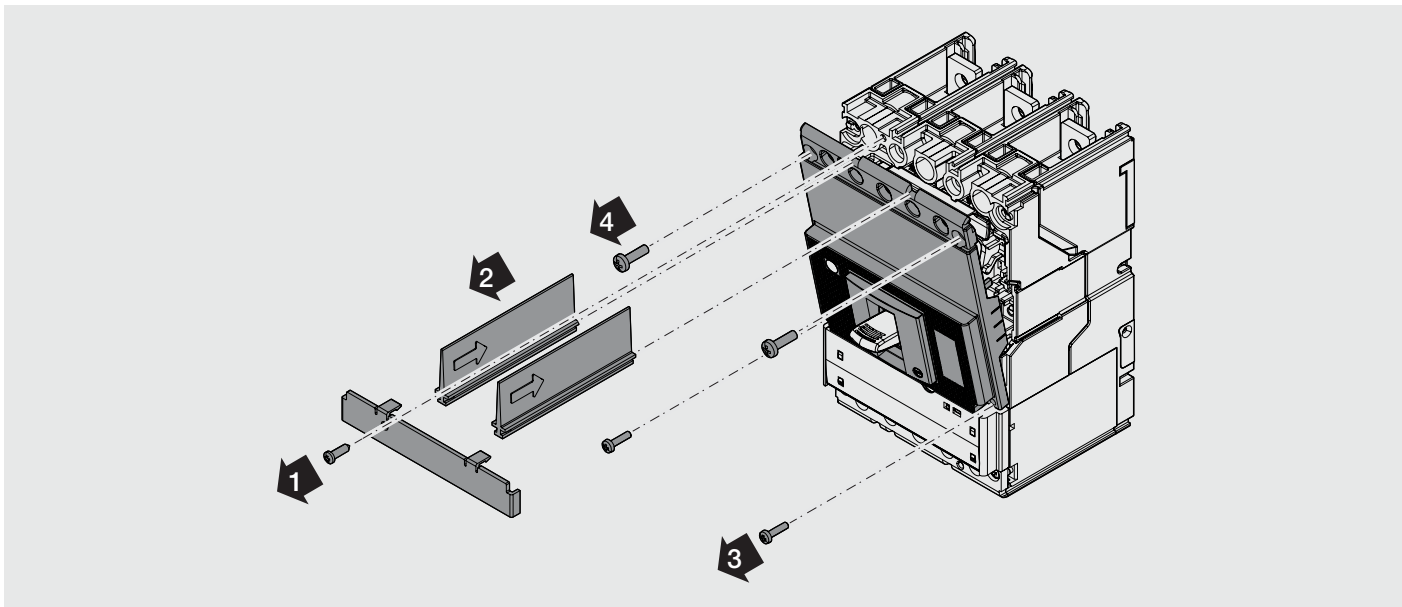
ONLY FOR XT1 F - XT3 F



2

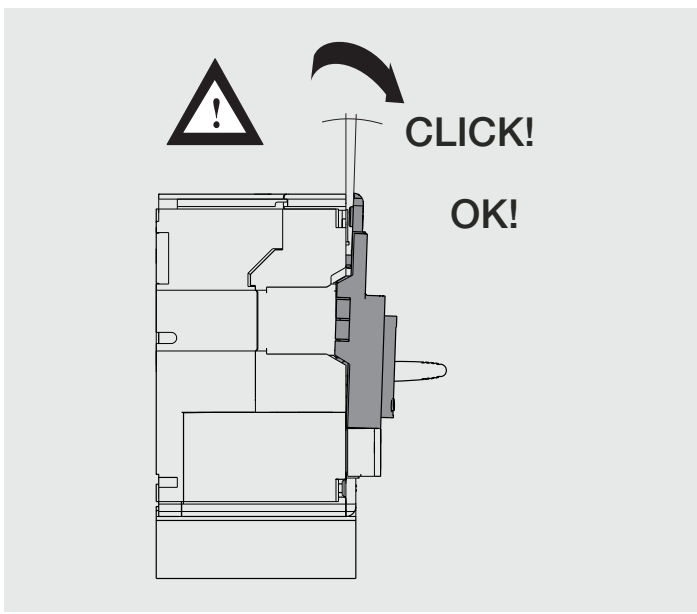
ONLY FOR XT2 F - XT4 F





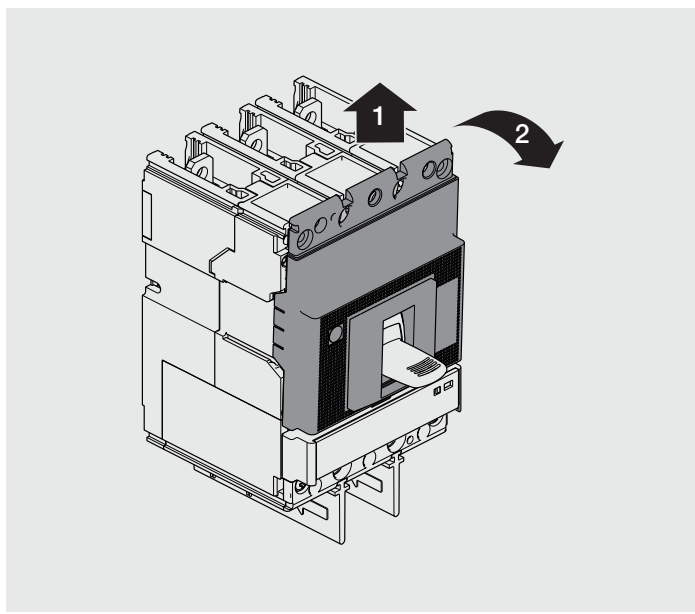
4

ONLY FOR XT2 F/P - XT4 F/P



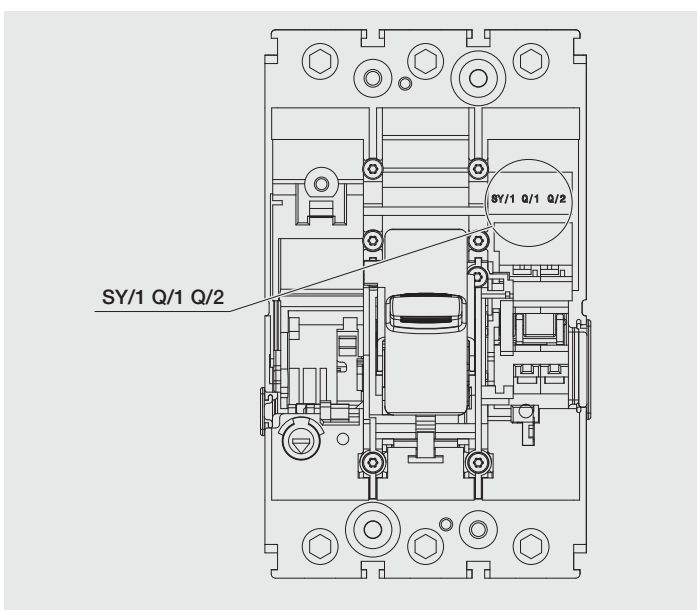
5

ONLY FOR XT2 F/P - XT4 F/P



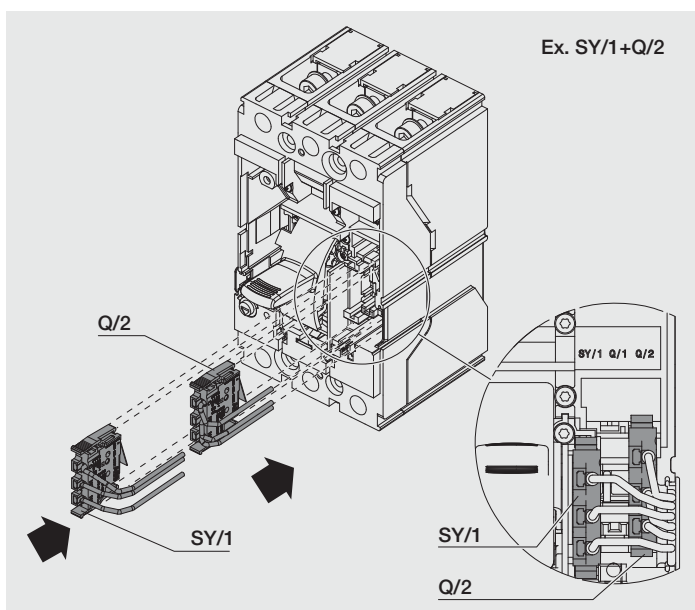
6

XT1/F-P



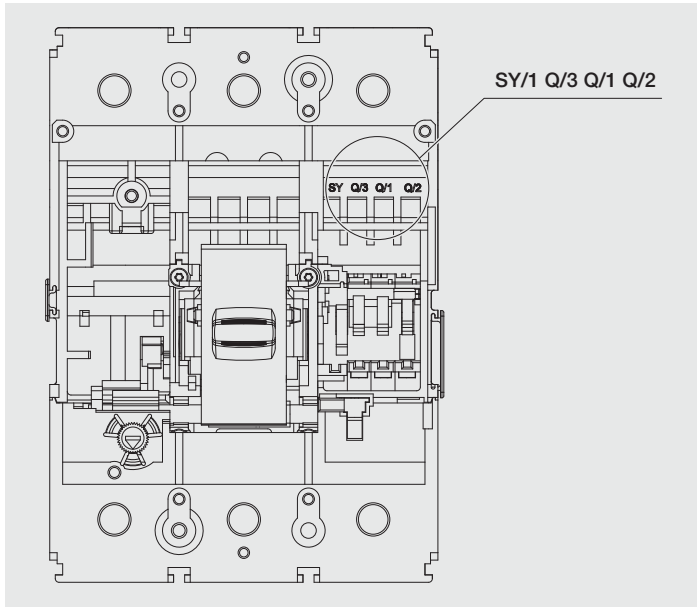
7

XT1/F-P



8

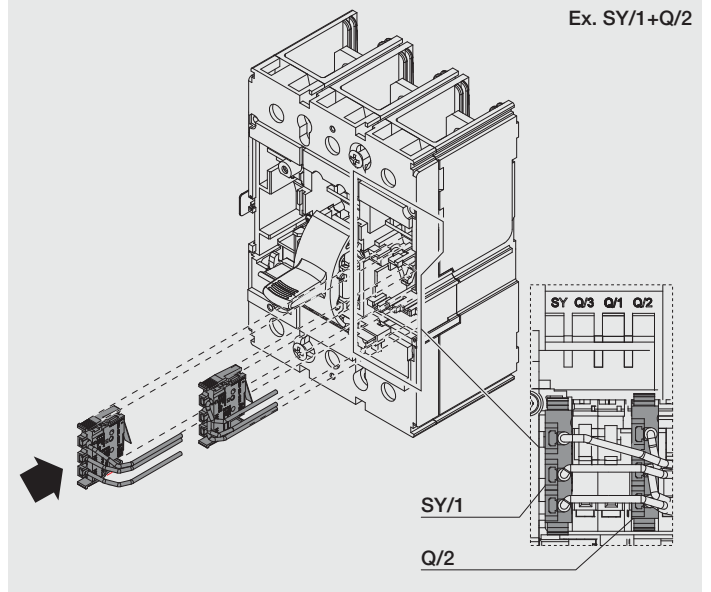
XT3/F-P



9

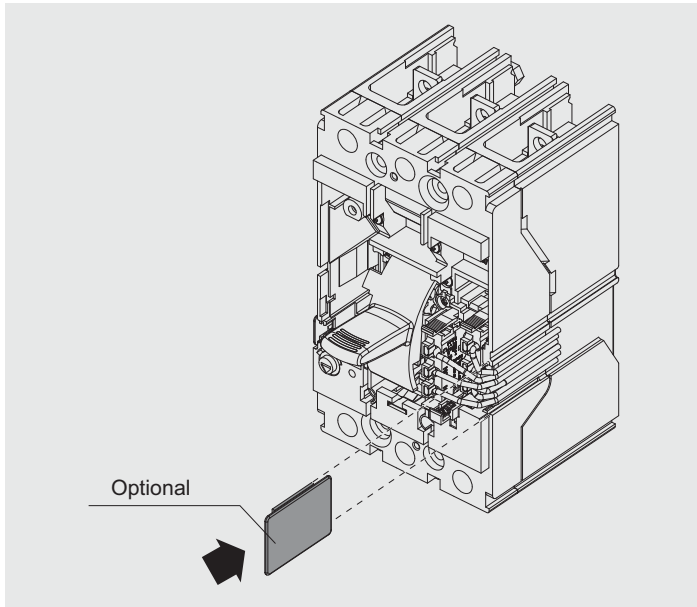
XT3/F-P

Ex. SY/1+Q/2



10

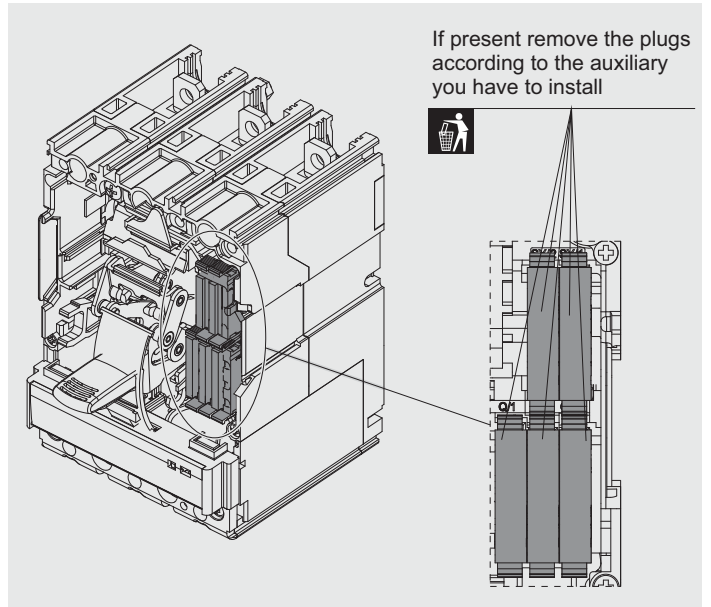
XT1 - XT3/F-P



11

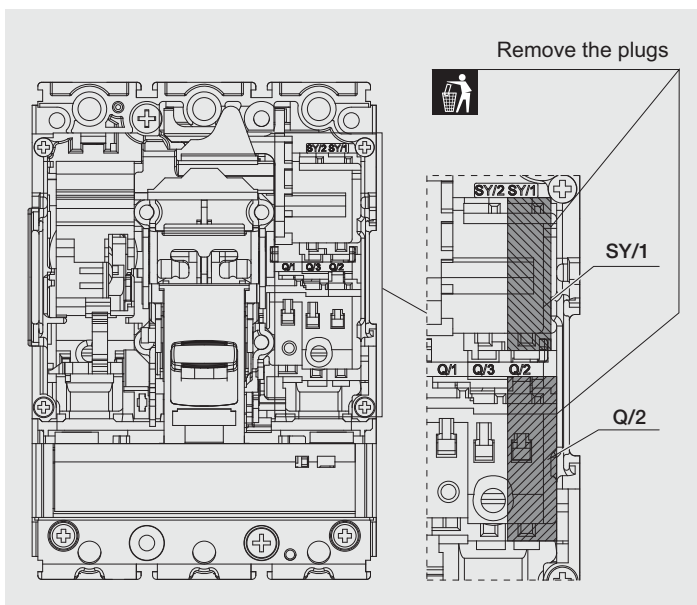
XT2 - XT4/F-P

If present remove the plugs according to the auxiliary you have to install



12

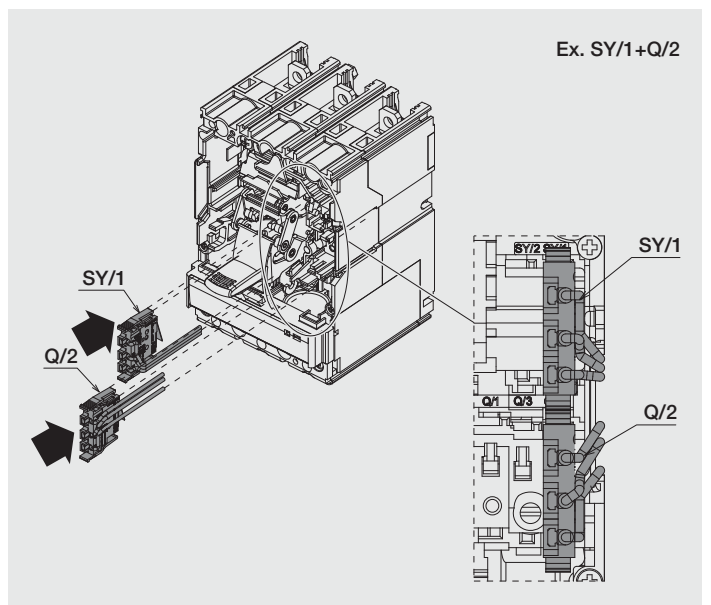
XT2 - XT4/F-P



13

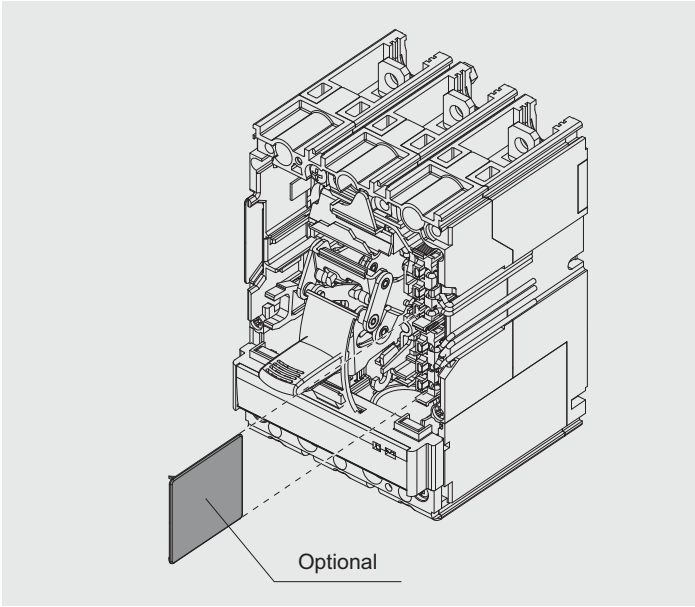
XT2 - XT4/F-P

Ex. SY/1+Q/2



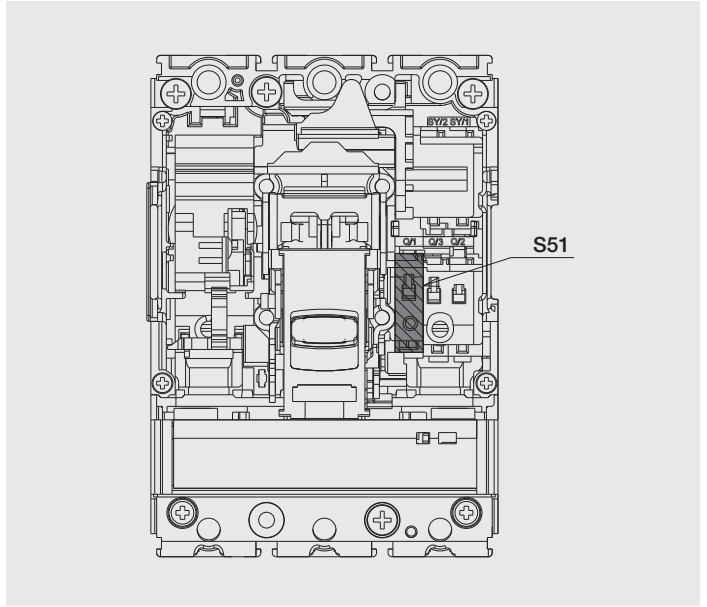
14

XT2 - XT4/F-P



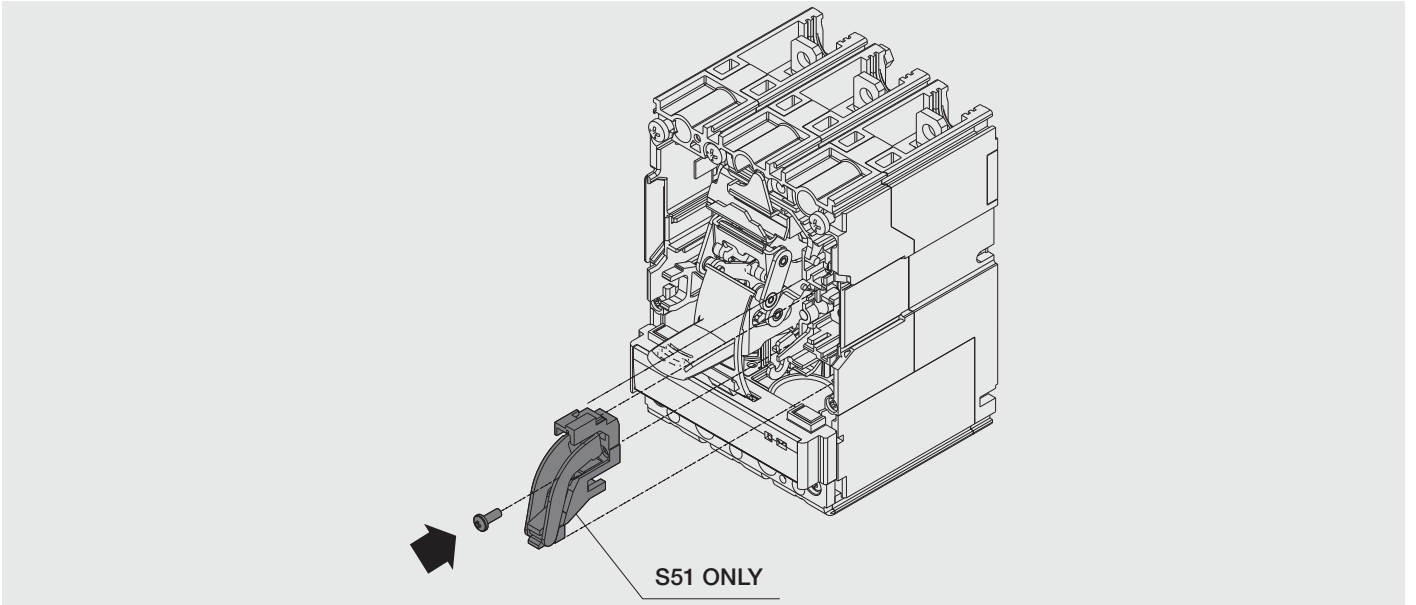
15

XT2 - XT4/F-P



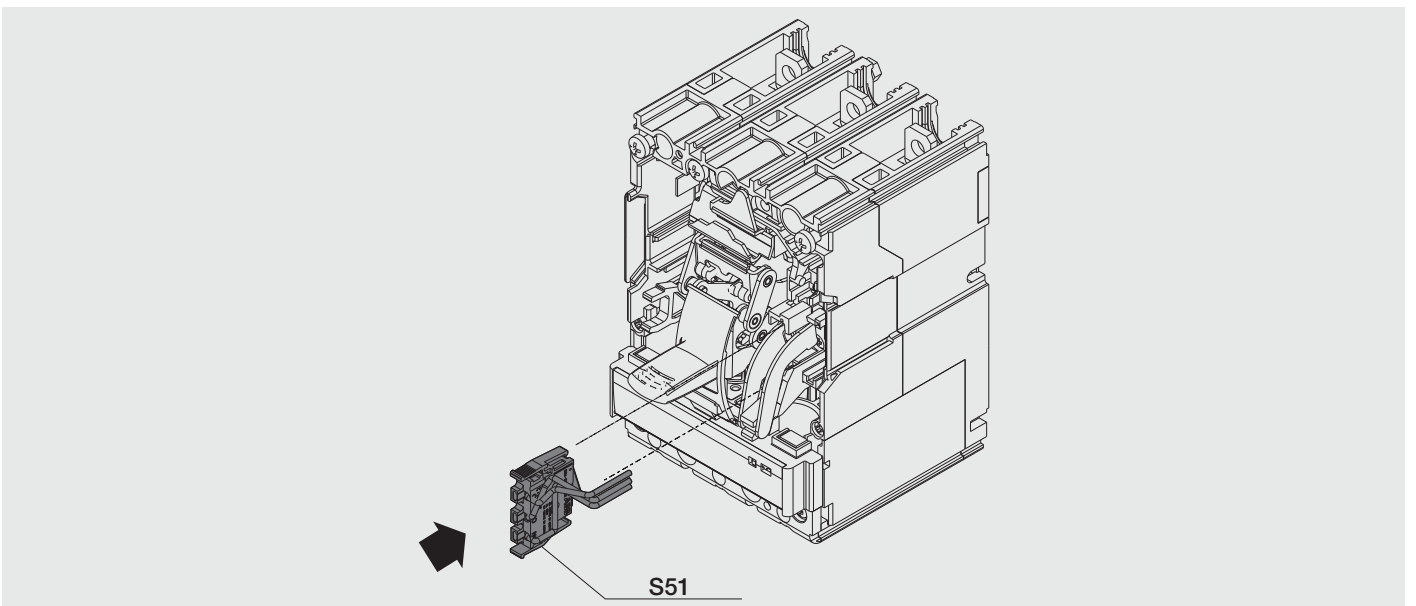
16

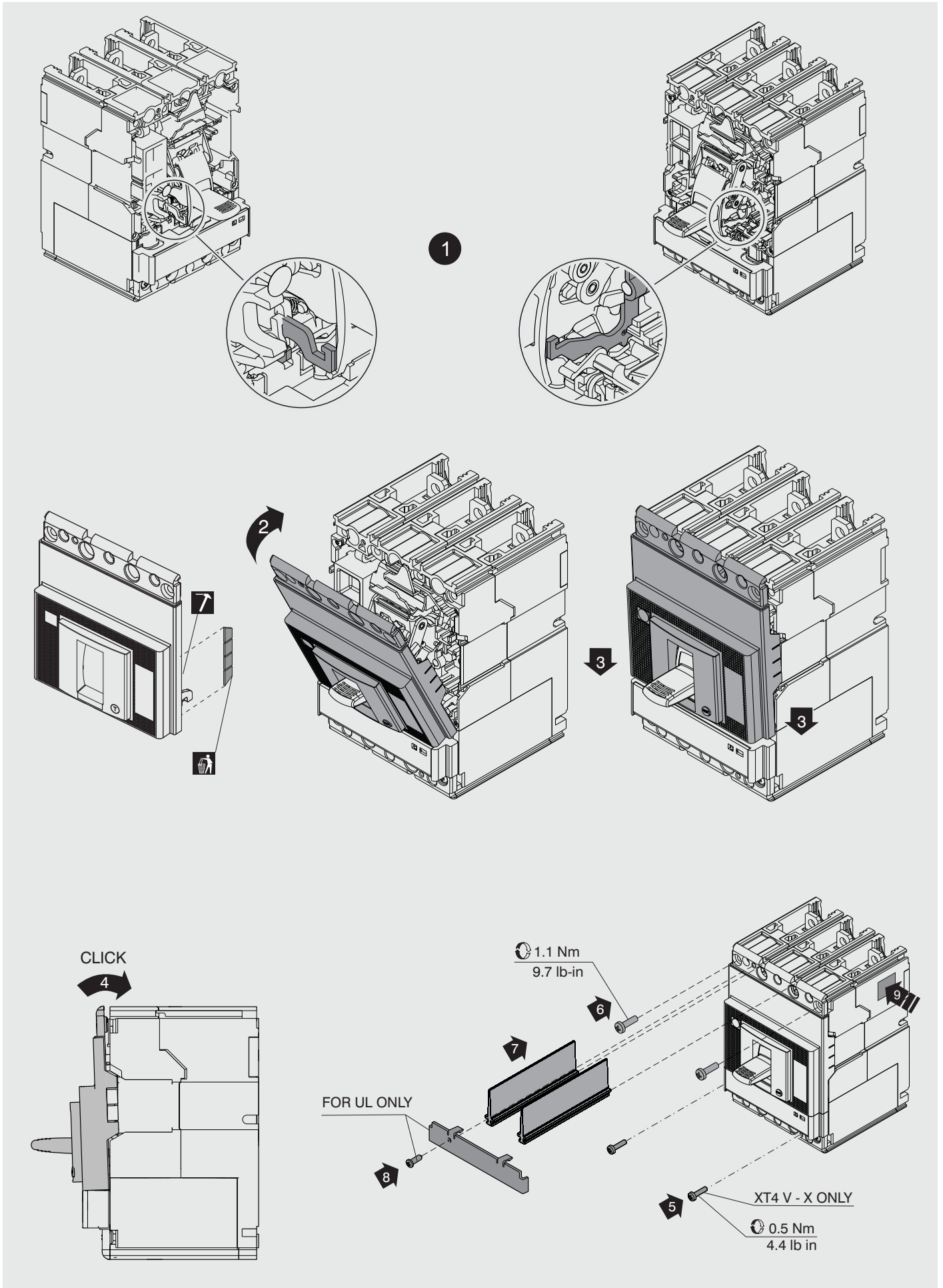
XT2 - XT4/F-P



17

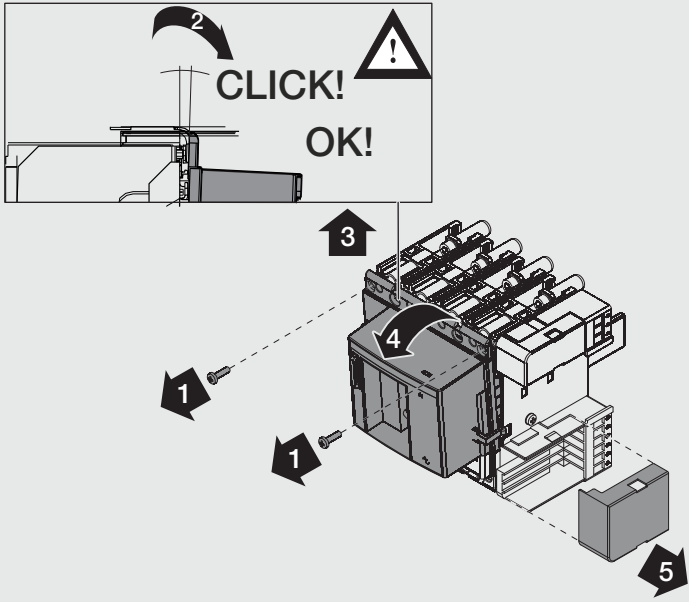
XT2 - XT4/F-P





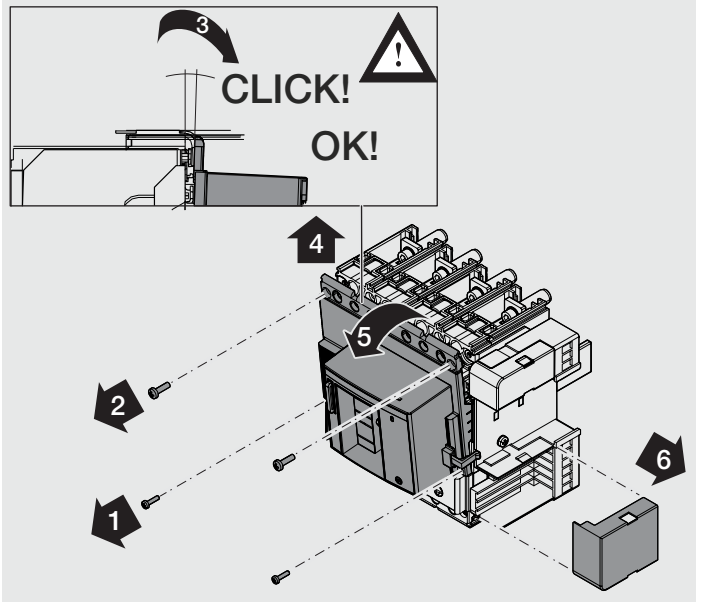
19

XT2 - XT4/W



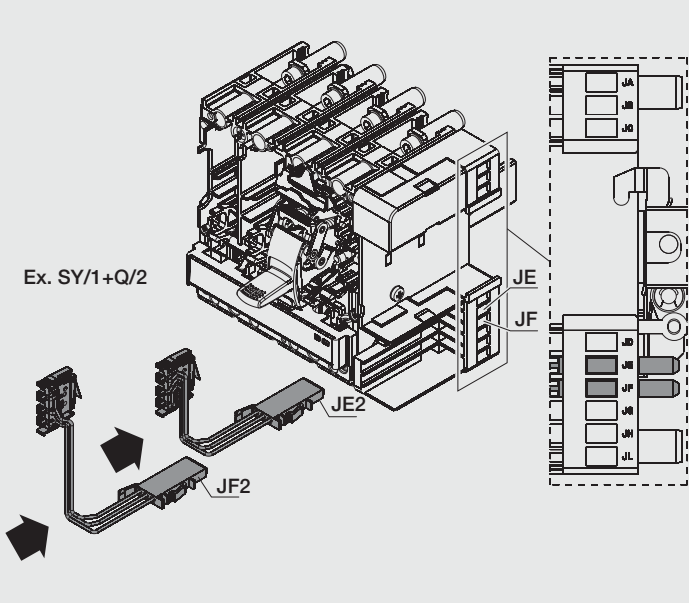
20

XT4 V - X ONLY



21

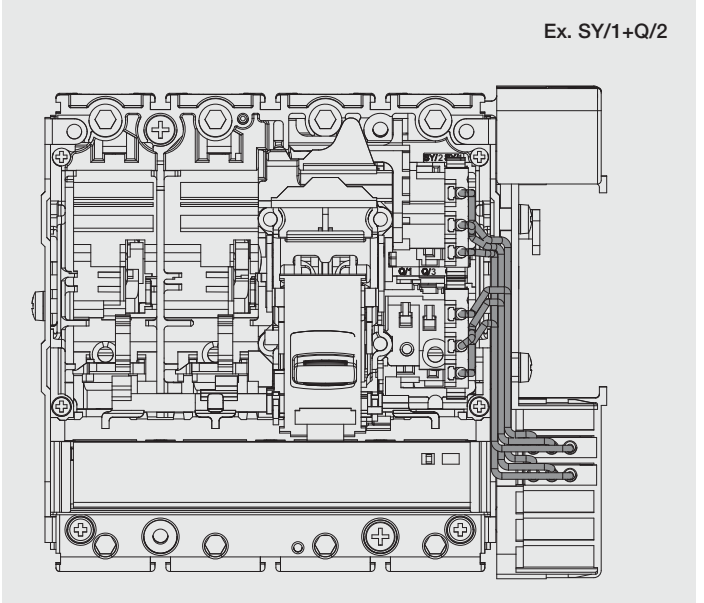
XT2 - XT4/W



22

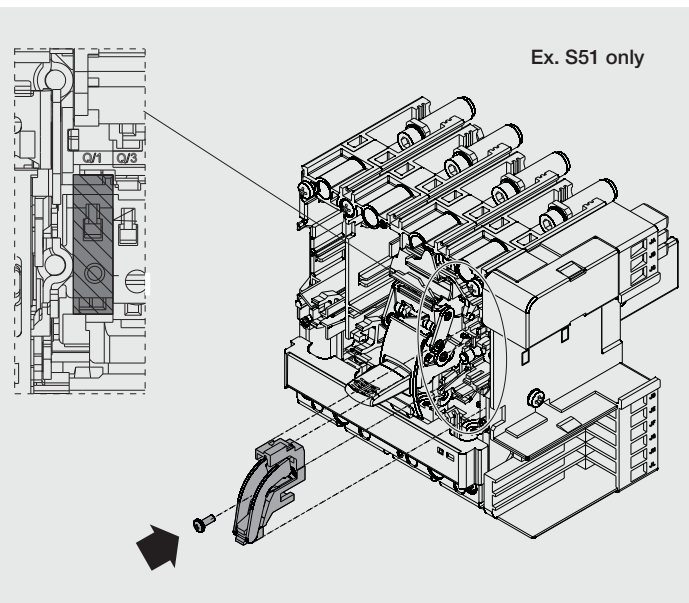
XT2 - XT4/W

Ex. SY/1+Q/2



23

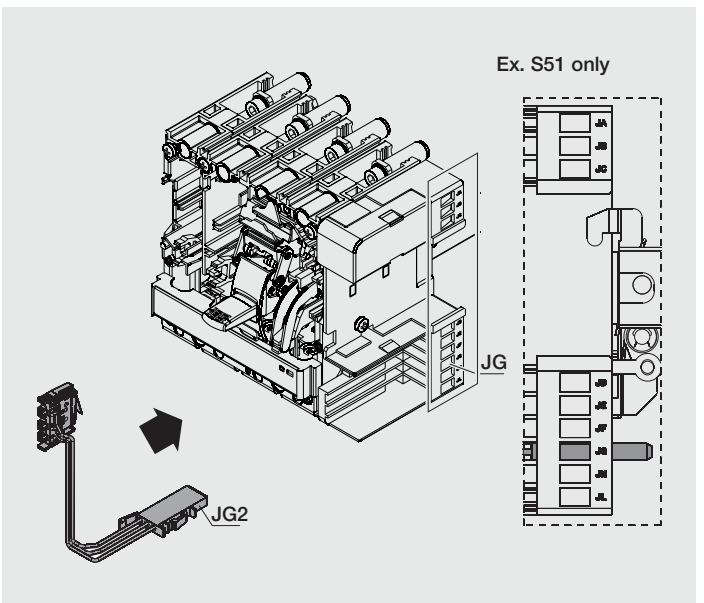
XT2 - XT4/W



24

XT2 - XT4/W

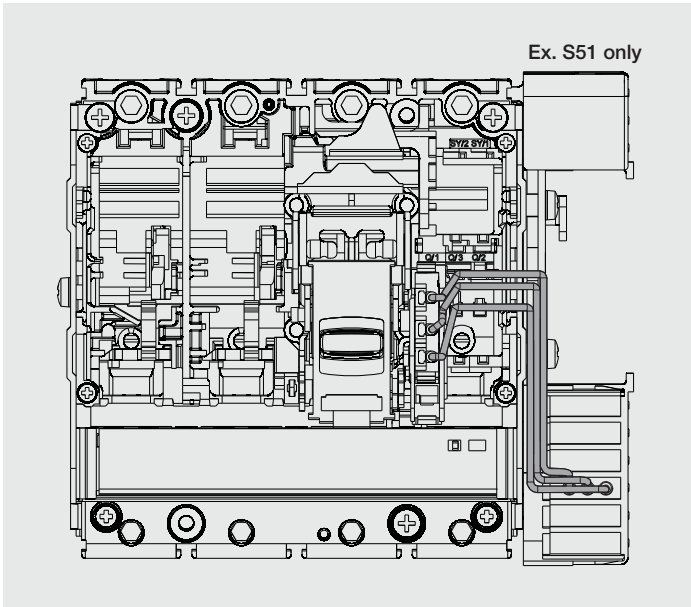
Ex. S51 only





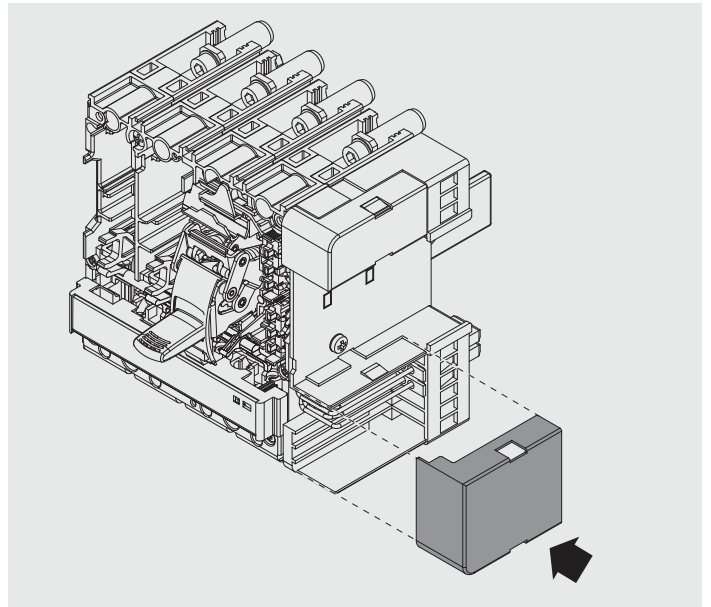
25

XT2 - XT4/W



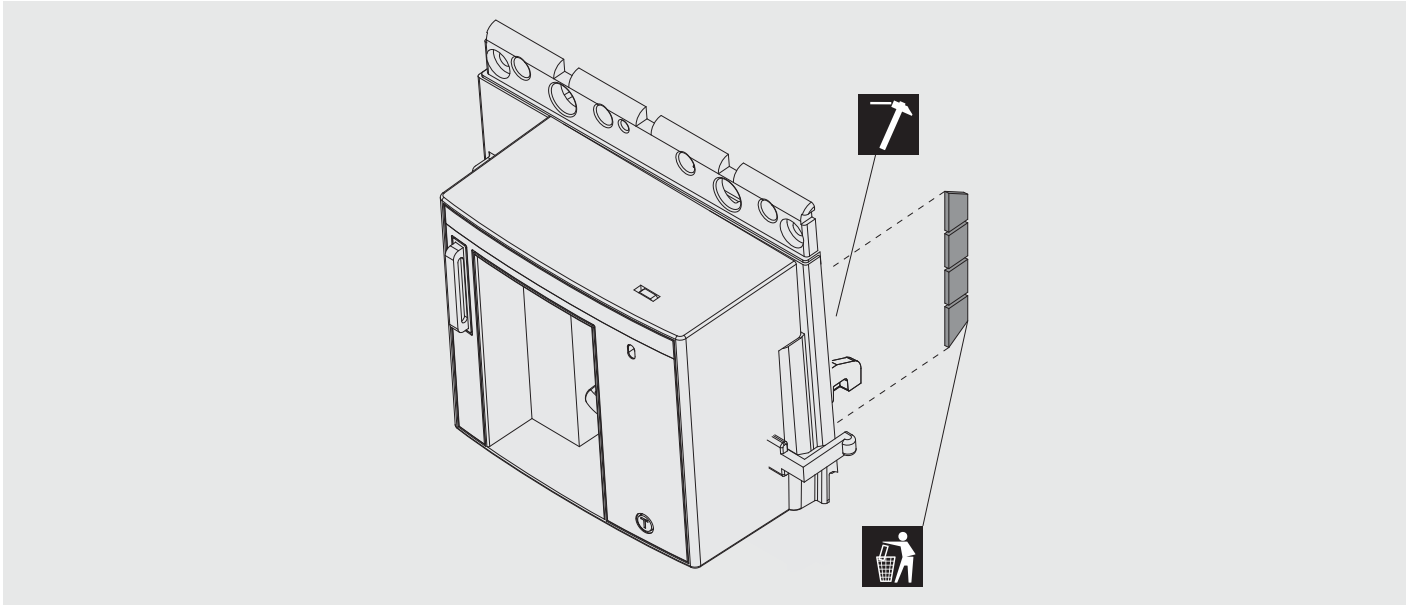
26

XT2 - XT4/W



27

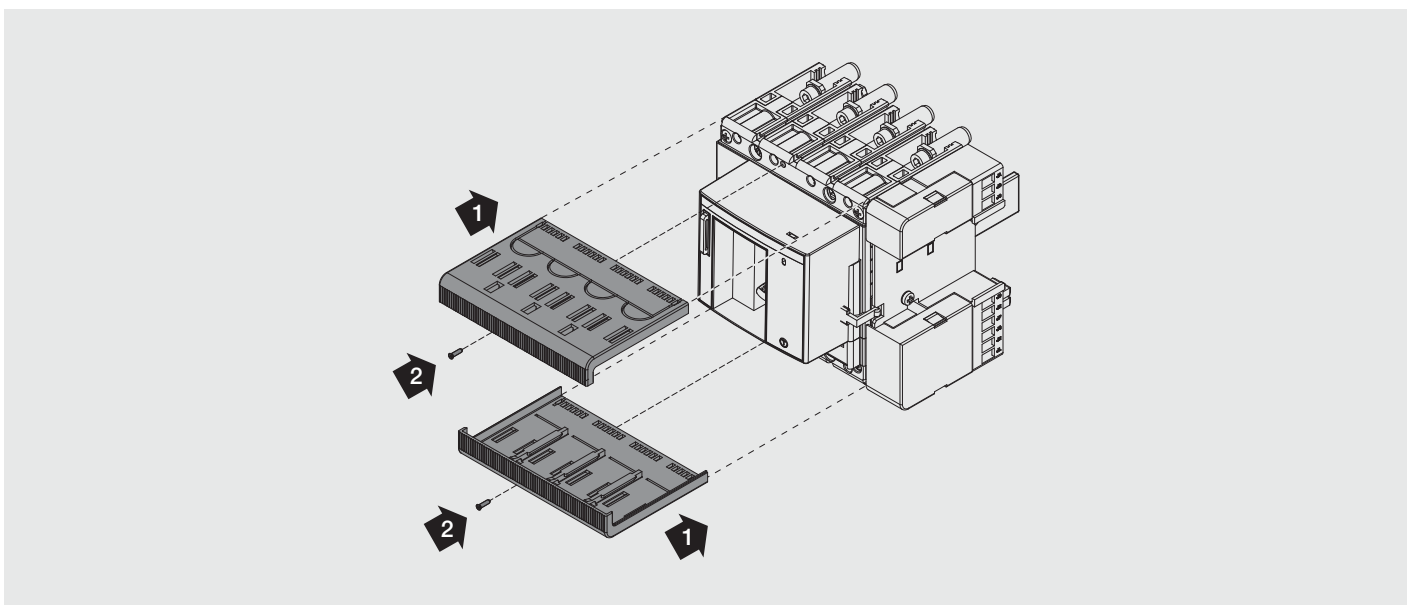
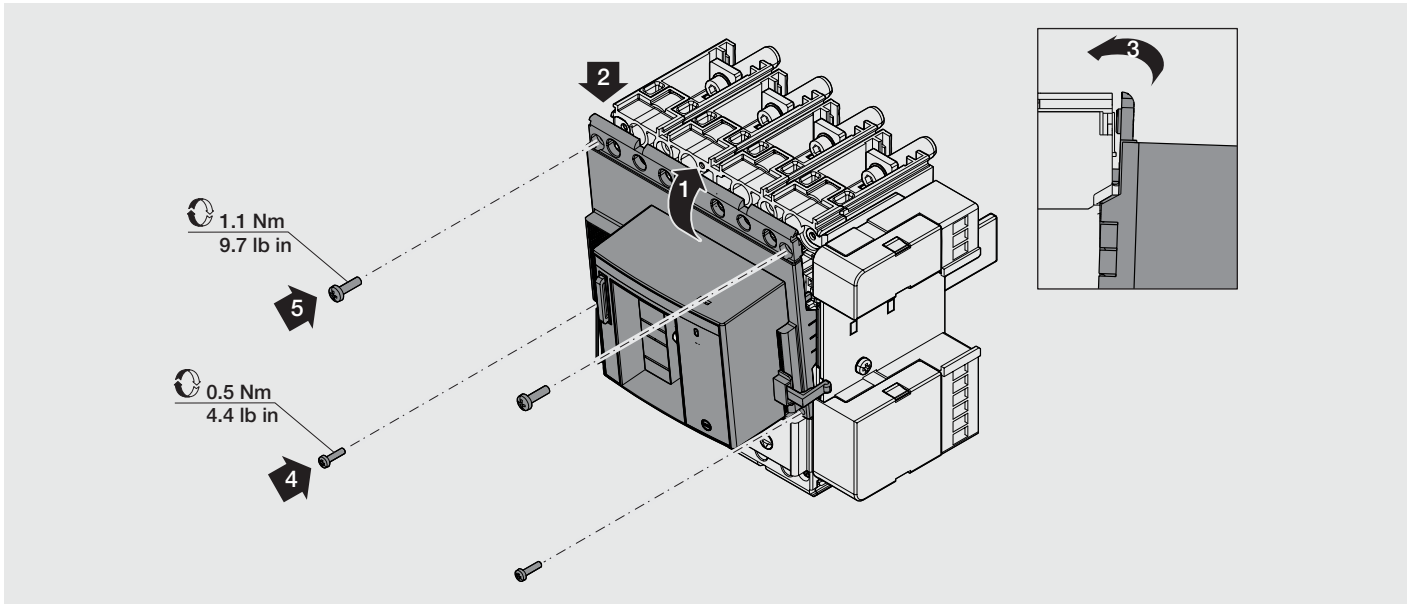
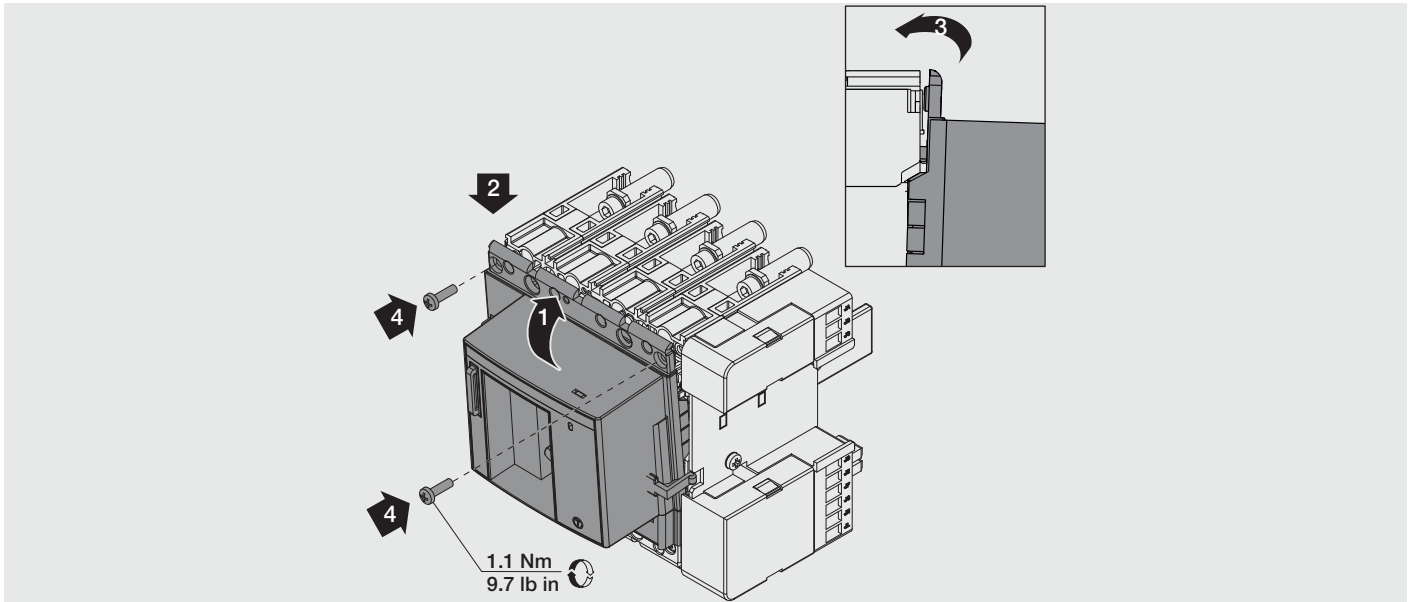
XT2 - XT4/W



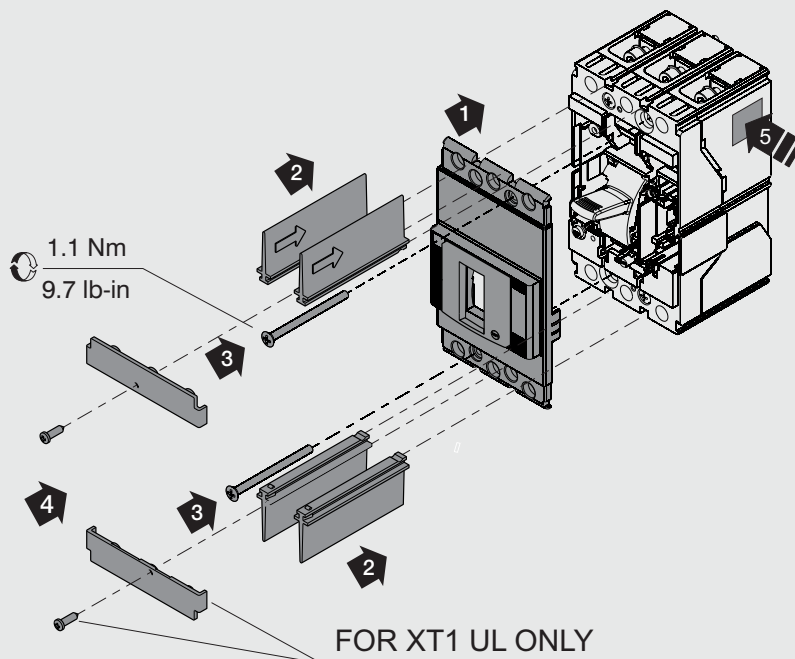
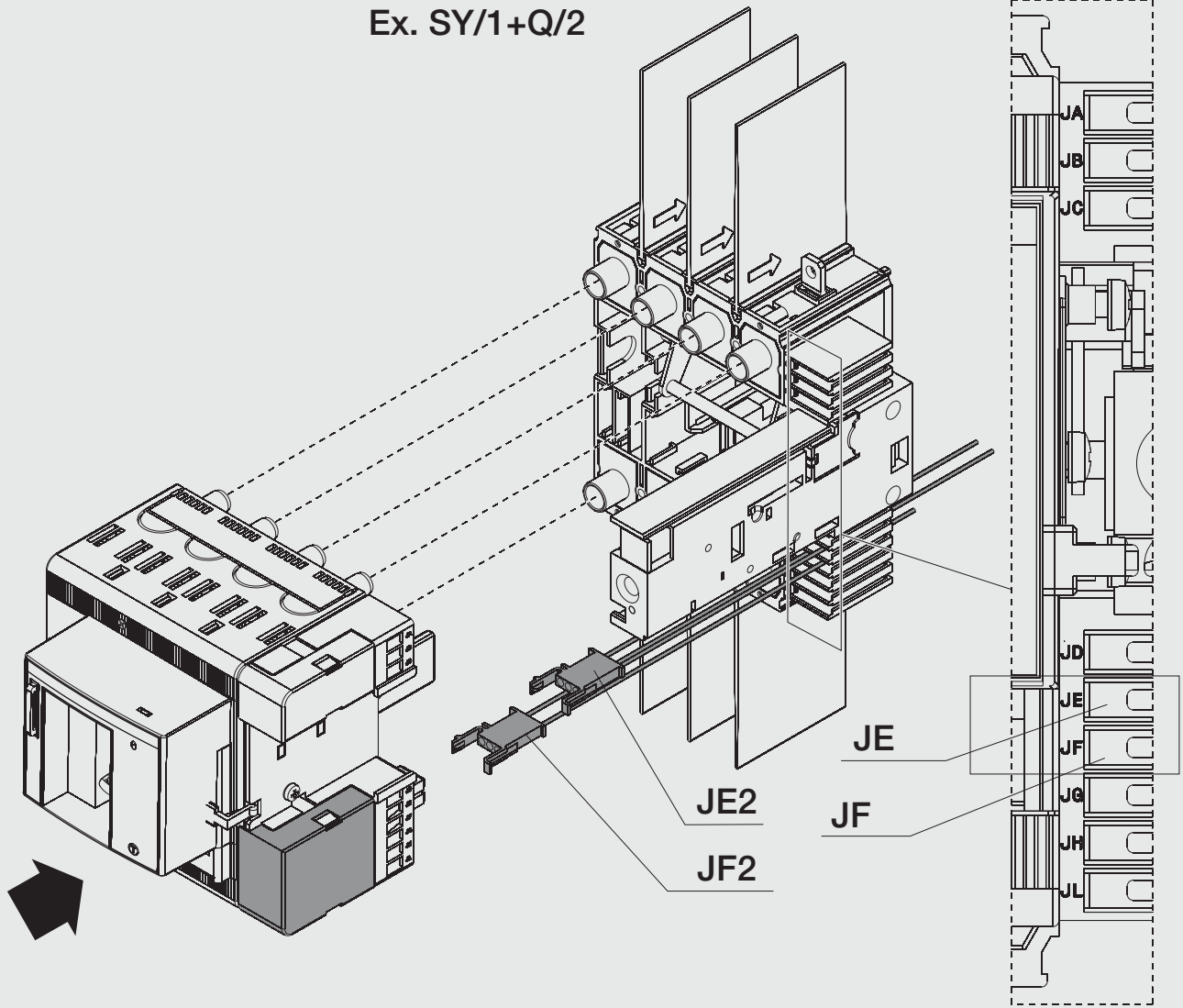
28

XT2 - XT4/W





Ex. SY/1+Q/2



\*E)

