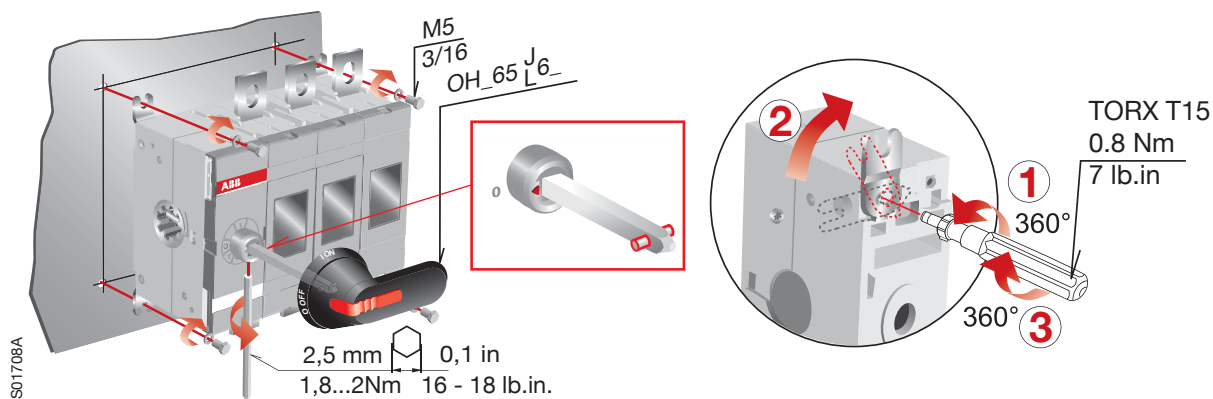


OT200-250

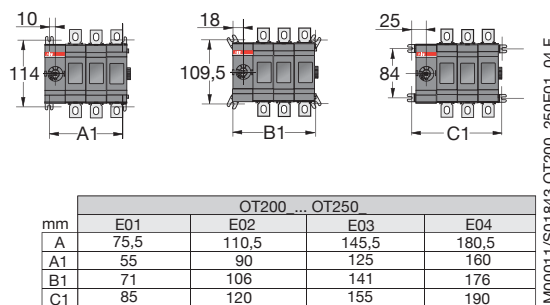
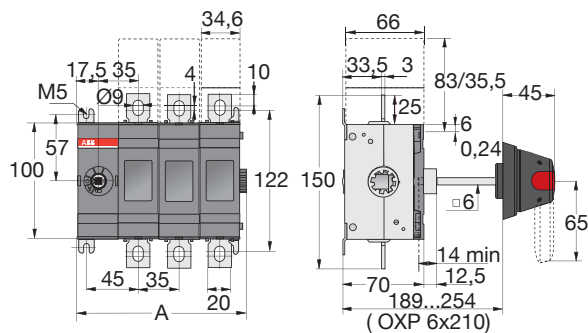
1SCC301031M0010

Document no. 34OT200-250 J

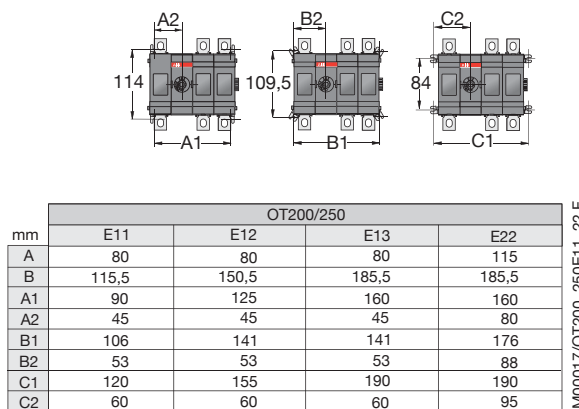
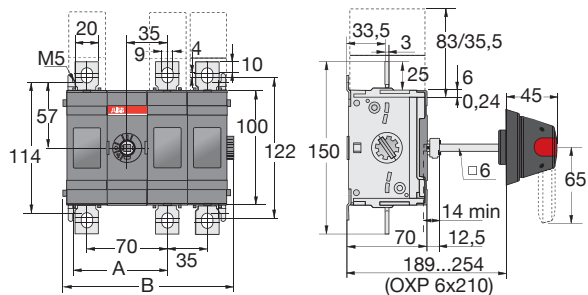
OT200-250_



OT200-250E01-04



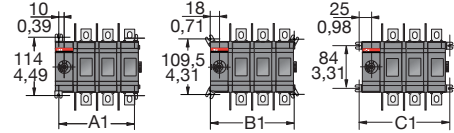
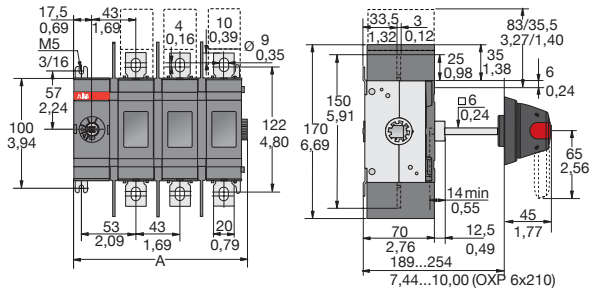
OT200-250E11-22



OT200-250

OT200-250_U

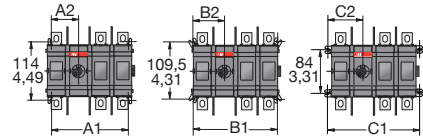
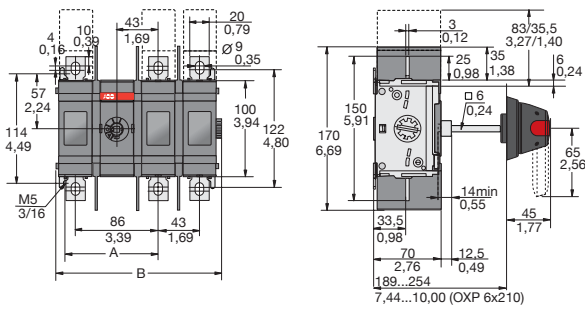
OT200U01-04



| OT200 | | | | |
|----------|---------------------|---------------------|---------------------|---------------------|
| mm in | U01/E01W mm / in | U02/E02W mm / in | U03/E03W mm / in | U04/E04W mm / in |
| A | 83,5 / 3,24 | 126,5 / 4,98 | 169,5 / 6,67 | 212,5 / 8,37 |
| A1 | 63 / 2,48 | 106 / 4,17 | 149 / 5,87 | 192 / 7,56 |
| B1 | 79 / 3,11 | 122 / 4,80 | 165 / 6,50 | 208 / 8,19 |
| C1 | 93 / 3,66 | 136 / 5,35 | 179 / 7,05 | 222 / 8,74 |

M00009/OT200U/E01_04W G

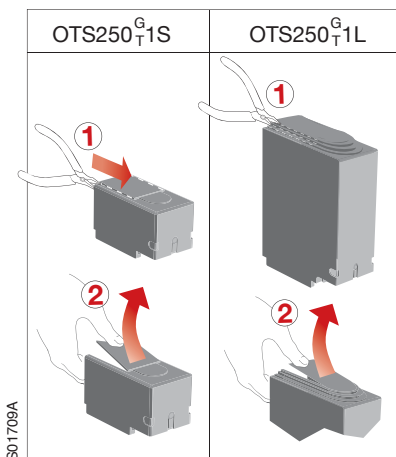
OT200U11-22



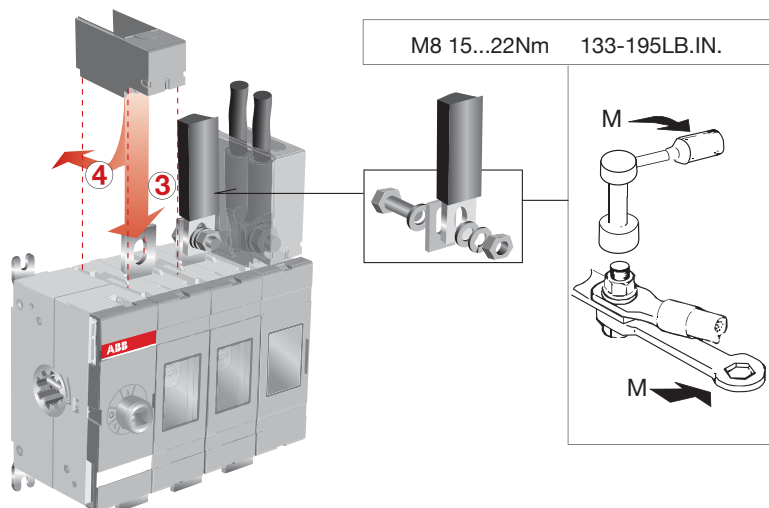
| OT 200 | | | | |
|----------|---------------------|---------------------|---------------------|---------------------|
| mm in | U11/E11W mm / in | U12/E12W mm / in | U13/E13W mm / in | U22/E22W mm / in |
| A | 96 / 3,78 | 96 / 3,78 | 96 / 3,78 | 139 / 5,47 |
| B | 131,5 / 5,18 | 174,5 / 6,87 | 217,5 / 8,56 | 217,5 / 8,56 |
| A1 | 106 / 4,17 | 149 / 5,87 | 192 / 7,56 | 192 / 7,56 |
| A2 | 53 / 2,09 | 53 / 2,09 | 53 / 2,09 | 96 / 3,78 |
| B1 | 122 / 4,80 | 165 / 6,50 | 208 / 8,19 | 208 / 8,19 |
| B2 | 61 / 2,40 | 61 / 2,40 | 61 / 2,40 | 104 / 4,09 |
| C1 | 136 / 5,35 | 179 / 7,05 | 222 / 8,74 | 222 / 8,74 |
| C2 | 68 / 2,69 | 68 / 2,68 | 68 / 2,68 | 111 / 4,37 |

M00016/OT200U/E11_22W G

OTS_



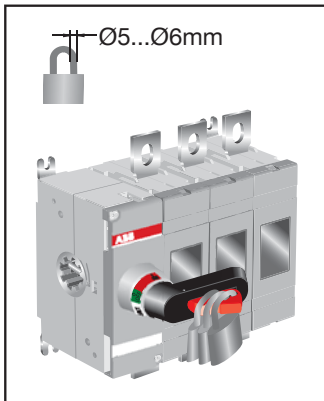
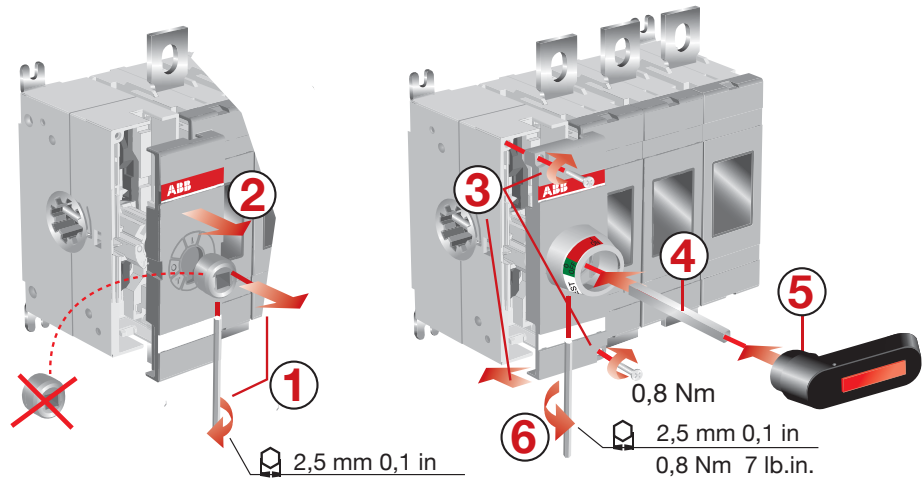
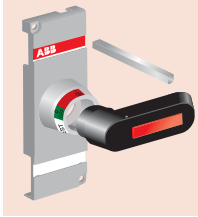
S01709A



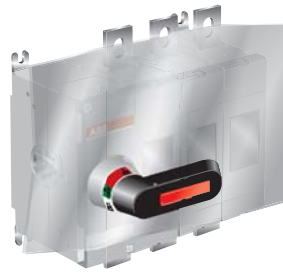
OT200-250

OTV_

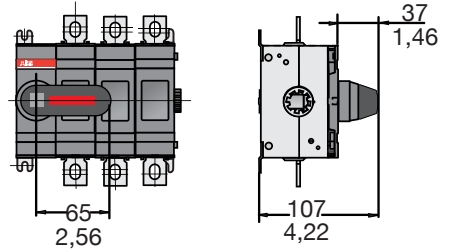
OTV250EK



Note: Use protection against direct contact. For example:



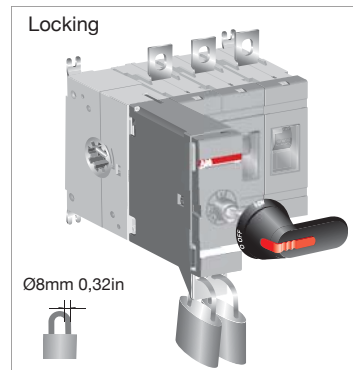
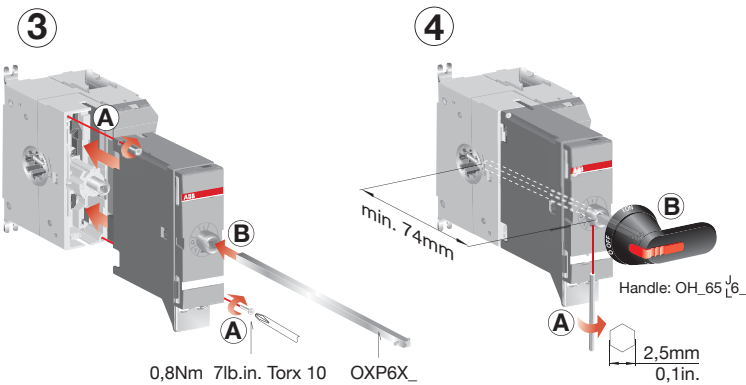
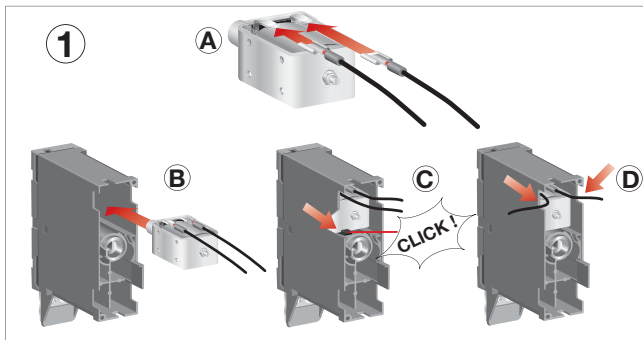
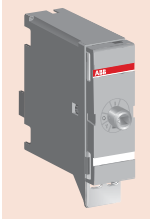
OT200_250E01_04



A00097A

OTZT1_

OTZT1_

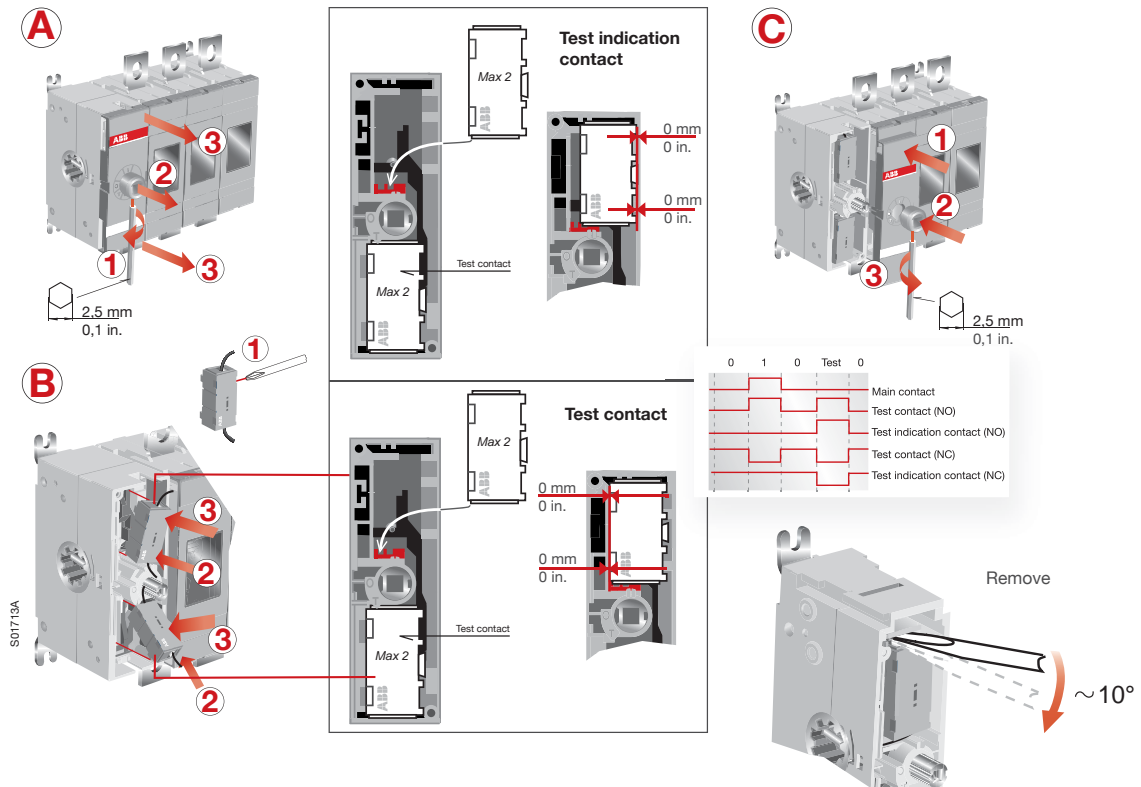


A04016

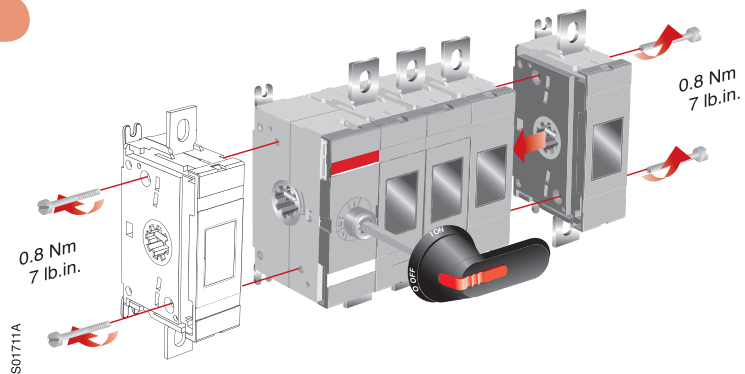
OT200-250

OA_

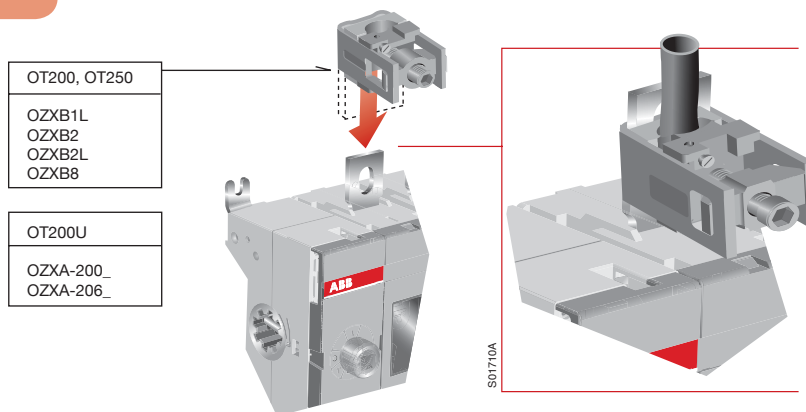
NO: OA1G10
NC: OA3G01



OTZ250E

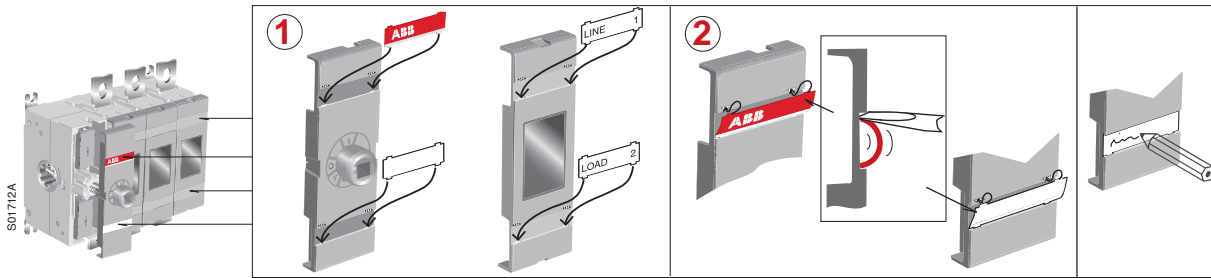


OZX_



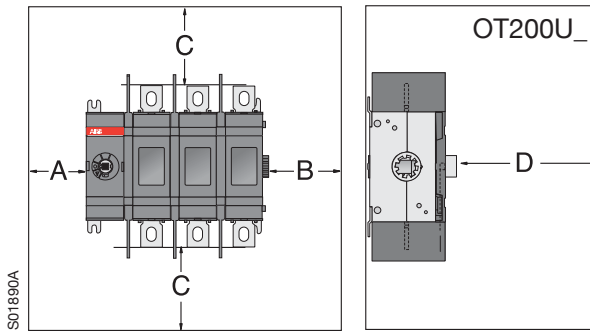
OT200-250

Label



Clearances per UL98

Minimum enclosure size or equivalent volume



| Height | Width | Depth |
|--------|----------|----------|
| 406 mm | x 255 mm | x 152 mm |
| 16 in | x 10 in | x 6 in |

| A | B | D |
|---|--------------|--------------|
| 0 | 13 mm 0,5 in | 13 mm 0,5 in |

| C | |
|--------------------|--------------|
| Cable size AWG/MCM | |
| 4-3 | 100 mm 4 in |
| 2 | 100 mm 4 in |
| 1 | 100 mm 4 in |
| 1/0 | 125 mm 5 in |
| 2/0 | 150 mm 6 in |
| 3/0-4/0 | 175 mm 7 in |
| 250 | 200 mm 8 in |
| 300 | 250 mm 10 in |

OEA_

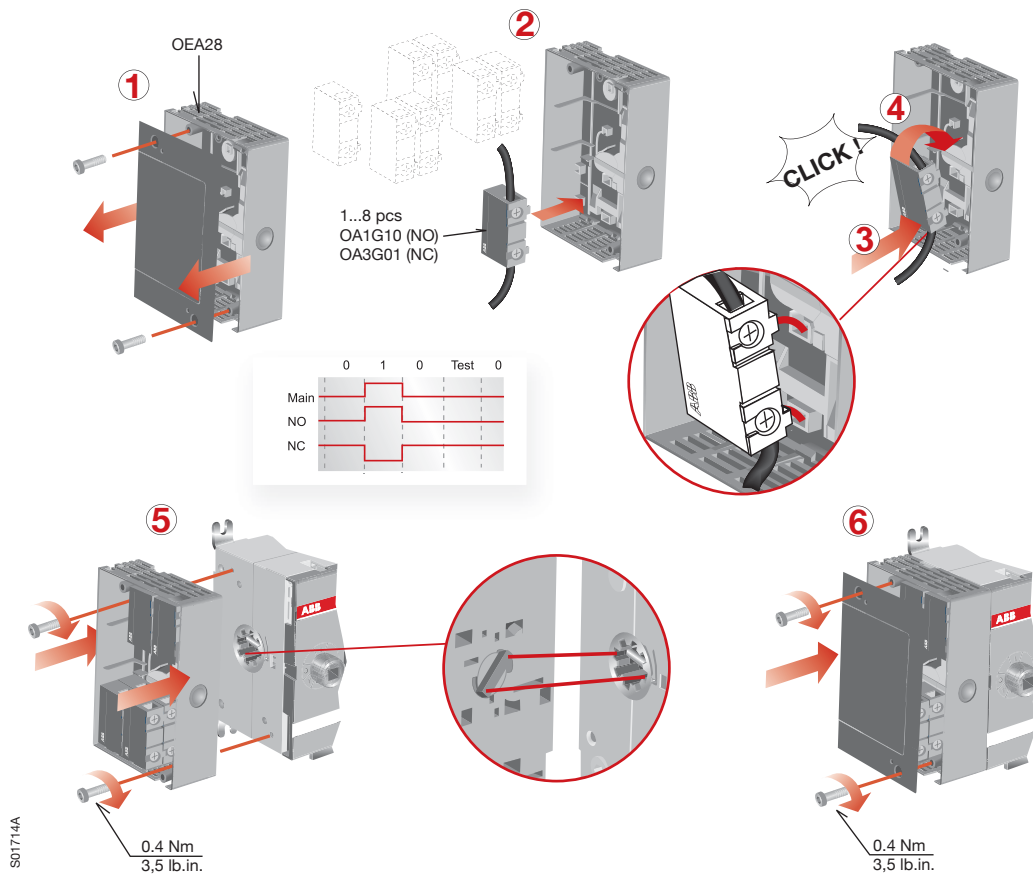


ABB Oy
Low Voltage Products
P.O. Box 622
FIN-65101 Vaasa, Finland

Telephone +358-10 224 000
Telefax +358-10 224 5708