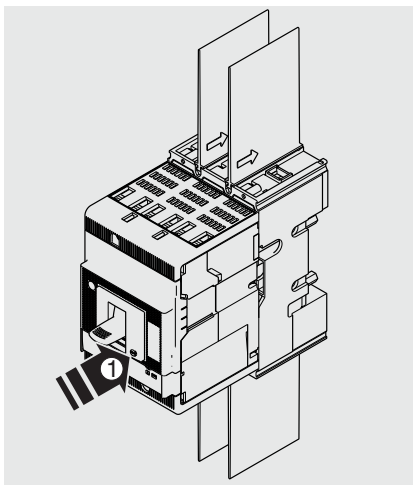


SACE Tmax XT IEC-UL

Istruzioni di installazione parte fissa di interruttore rimovibile XT4
Installation instructions fixed part for plug-in circuit breakers XT4
Installationsanleitung festteil für leistungsschalter in ausfahrbarer ausführung XT4
Instructions pour l'installation partie fixe pour disjoncteur debrochable XT4
Instrucciones de instalación parte fija para interruptor extraíble XT4
安装说明书插入式断路器固定部分 XT4

3P-4P



Usare cavi o barre isolate/ o eseguire prove di tipo specifiche sull' installazione.

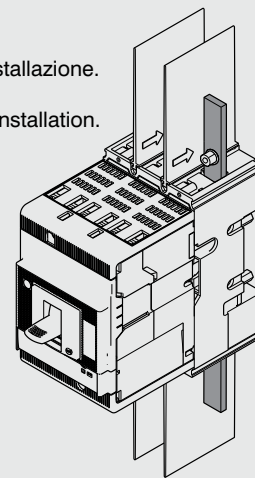
Use cable or insulated busbars/ or perform specific type test on the installation.

Kabel oder isolierte Sammelschienen verwenden / oder die spezifische Typprüfung auf der Installation durchführen.

Utiliser un câble ou des barres isolées/ ou réaliser un test de type spécifique sur installation.

Utilizar un cable o barras aisladas / o efectuar una prueba de tipo específico sobre instalación.

使用电缆或经绝缘处理的母排，
否则需对安装进行指定的型式试验

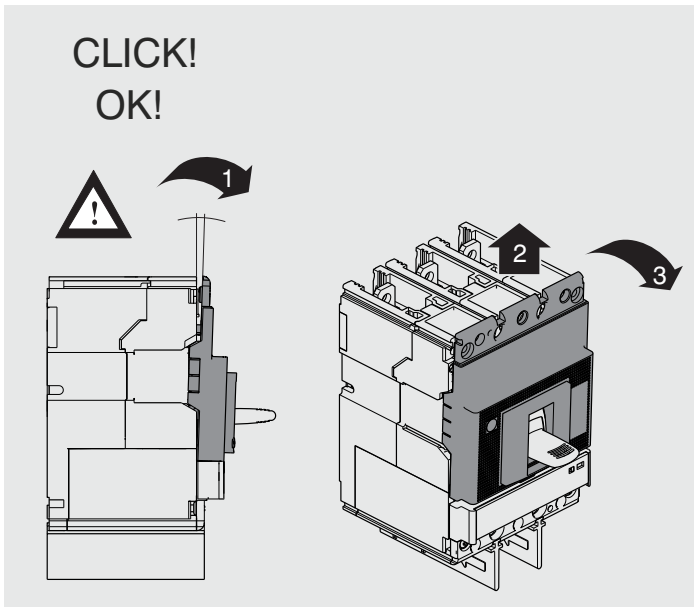


EF	P	1		1		1		
	W		1		1		1	1
HR	P	1		1		1		
	W		1		1		1	1
VR	P	1		1		1		
	W		1		1		1	1

			Fixing at 70 mm/2.76"					
		LENGHT 16mm (0.63")	M	M	M	M	M	M
		M4	M4	CH 7	CH 7	M	M	M
P - W	3P	4	4	8	4			
	4P	4	4	8	4			

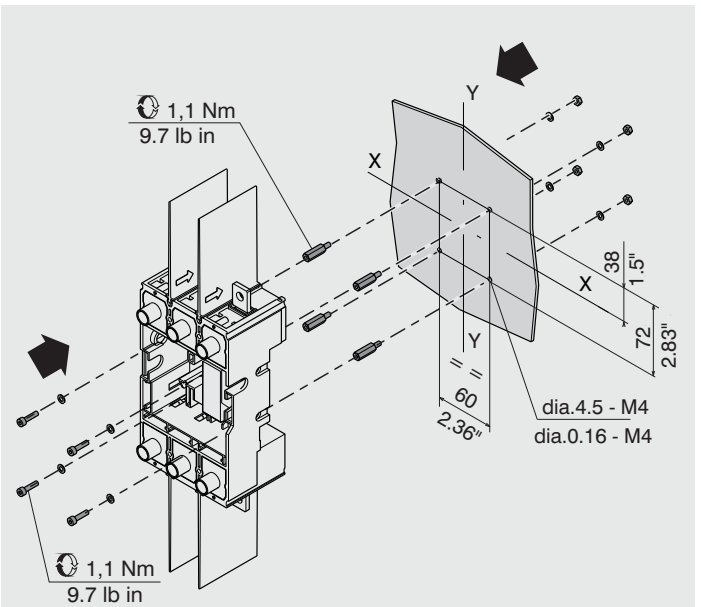
EF		
P - W	3P	4
	4P	6

1



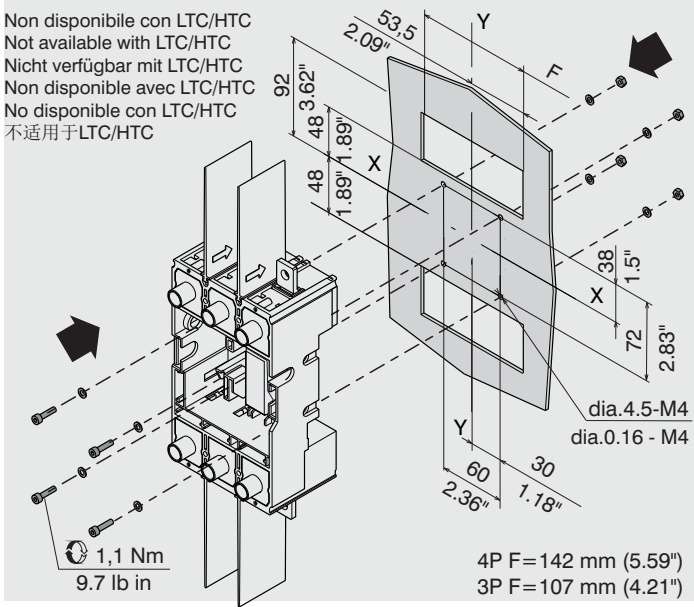
2

P Fixing at 70mm/2.76" EF



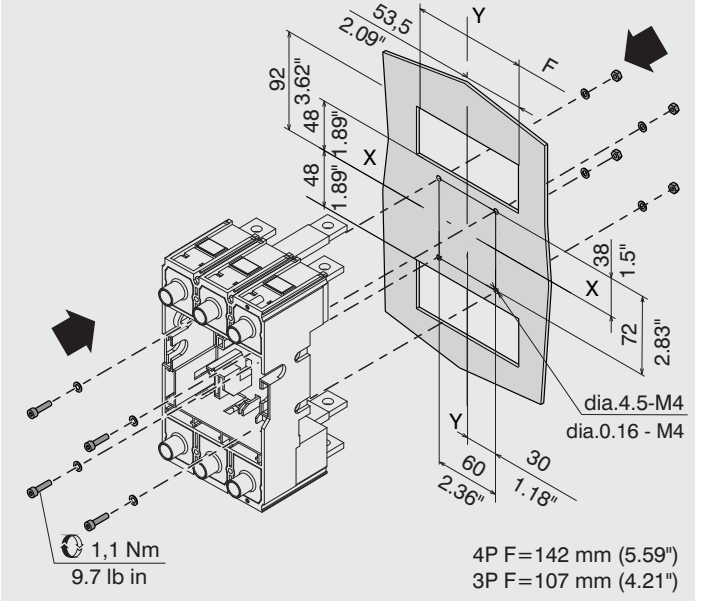
3

P Fixing at 50mm/1.97" EF



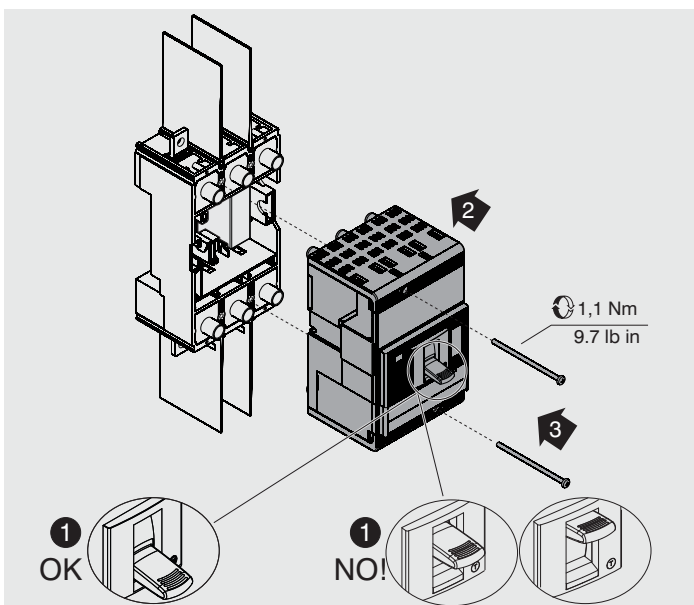
4

P Fixing at 50mm/1.97" HR-VR



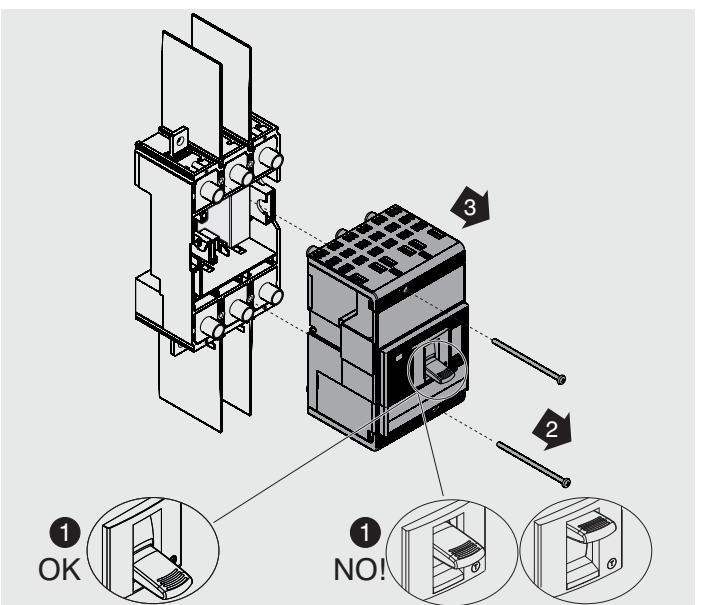
5

P



6

P



	A		B	C	D	E	
	50/1.97"	70/2.76"					
XT4 WITHOUT FLANGE SENZA MOSTRINA	3P-4P	141,5 5,57"	161,5 6,34"	43 1,69"	47 1,85"	17 0,67"	23,5 0,93"
	3P	133,5 5,26"	153,5 6,03"	89 3,5"	102 4,02"	25 0,98"	51 2,01"
4P	133,5 5,26"	153,5 6,03"	89 3,5"	137 5,40"	25 0,98"	51 2,01"	

	A		B	C	D	E	
	50/1.97"	70/2.76"					
XT4 WITH FLANGE CON MOSTRINA	3P	136 5,35"	156 6,14"	97 3,82"	110 4,33"	29 1,14"	55 2,17"
	4P	136 5,35"	156 6,14"	97 3,82"	145 5,71"	29 1,14"	55 2,17"

60 2.36"

38 1.5"

72 2.83"

92 3.62"

Ø4.5 - M4
dia.0.16 - M4

Non disponibile con LTC/HTC
Not available with LTC/HTC
Nicht verfügbar mit LTC/HTC
Non disponible avec LTC/HTC
No disponible con LTC/HTC
不适用于LTC/HTC

60 2.36"

30 1.18"

38 1.5"

48 1.89"

72 2.83"

92 3.62"

dia.4.5-M4
dia.0.16 - M4

4P F=142 mm (5.59")
3P F=107 mm (4.21")

60 2.36"

30 1.18"

38 1.5"

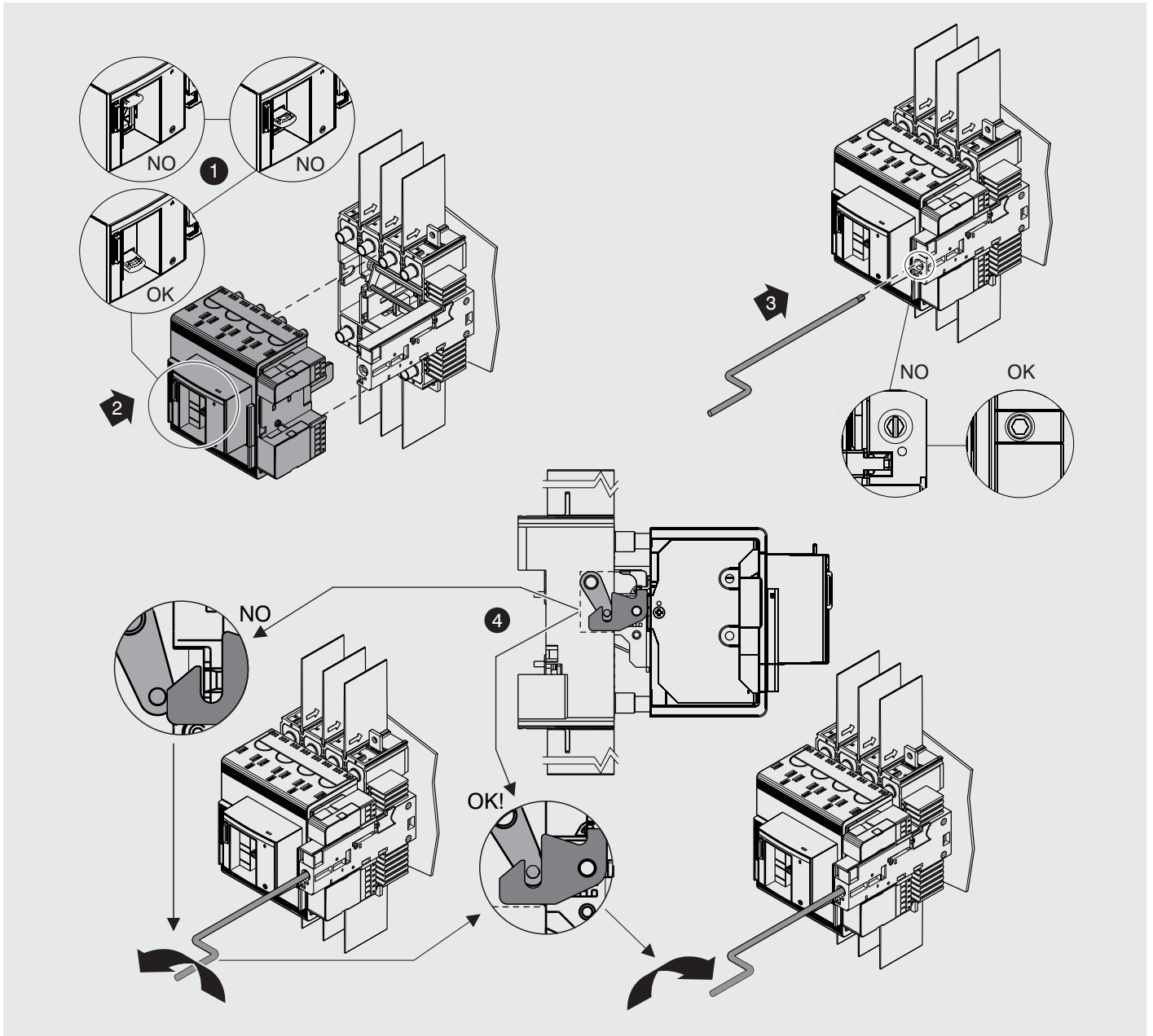
48 1.89"

72 2.83"

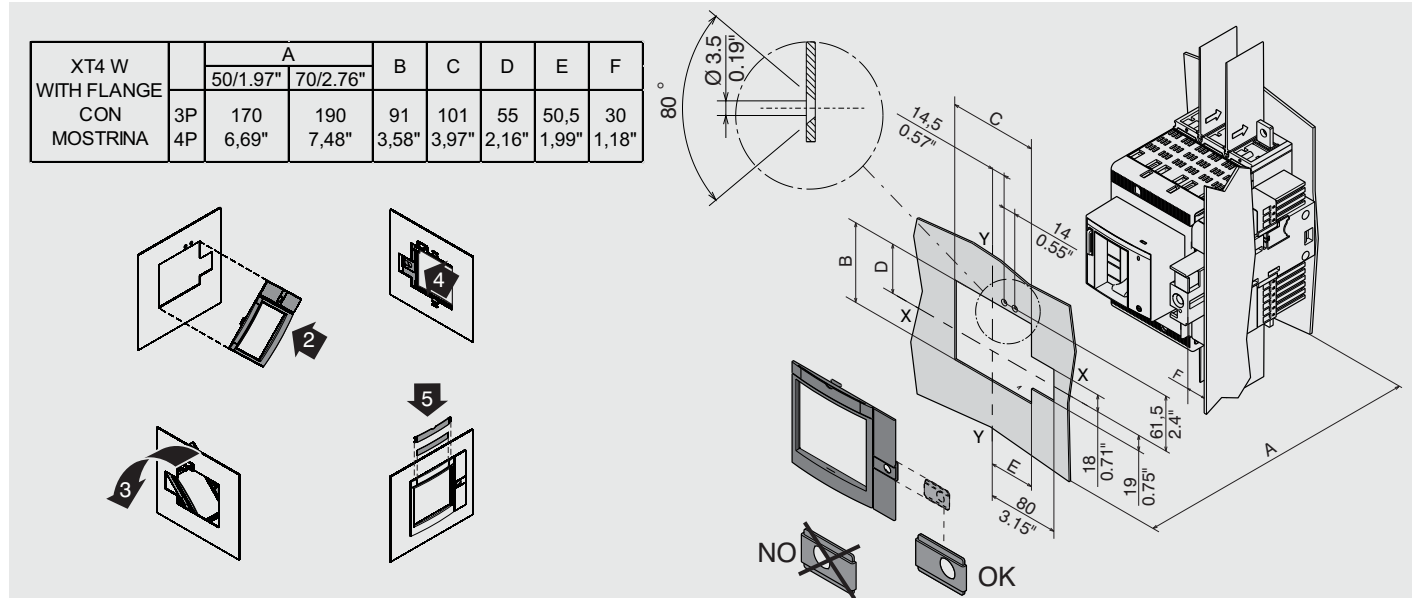
92 3.62"

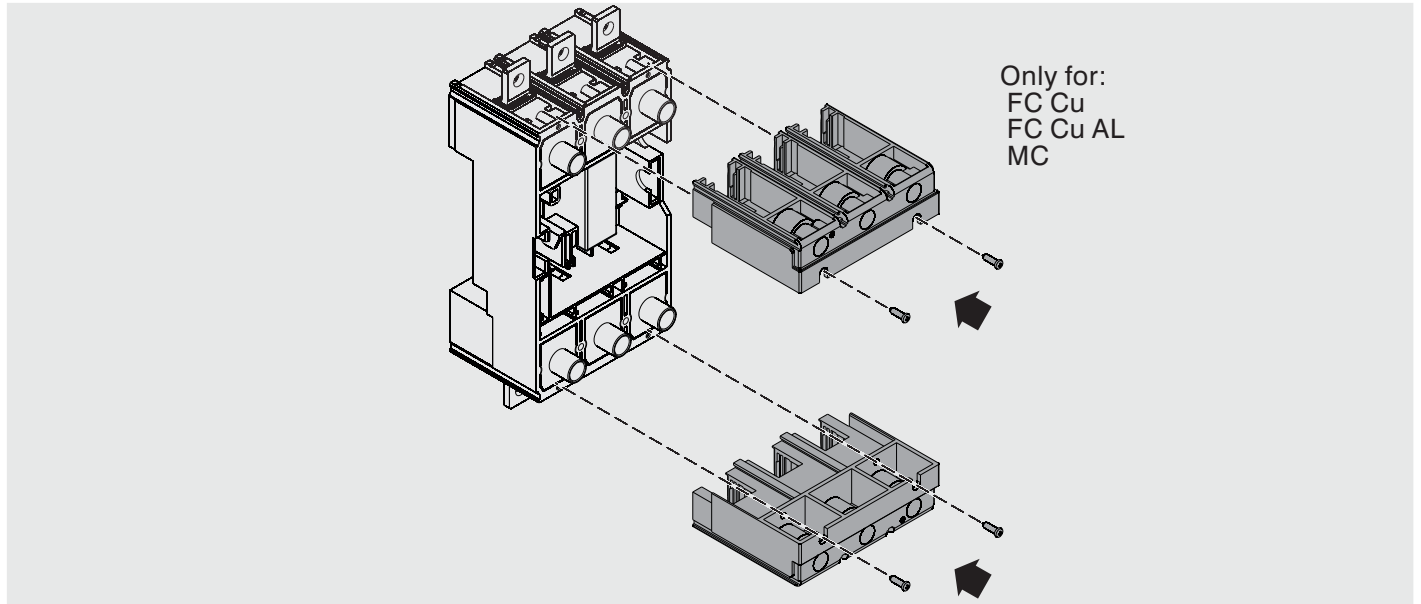
dia.4.5-M4
dia.0.16 - M4

4P F=142 mm (5.59")
3P F=107 mm (4.21")



XT4 W WITH FLANGE CON MOSTRINA	3P 4P	A		B	C	D	E	F
		50/1.97"	70/2.76"					
		170	190	91	101	55	50,5	30
		6,69"	7,48"	3,58"	3,97"	2,16"	1,99"	1,18"





Only for:
FC Cu
FC Cu AL
MC

Optional

200
7.87"

Example busbars and cables 16 ÷ 120mm²

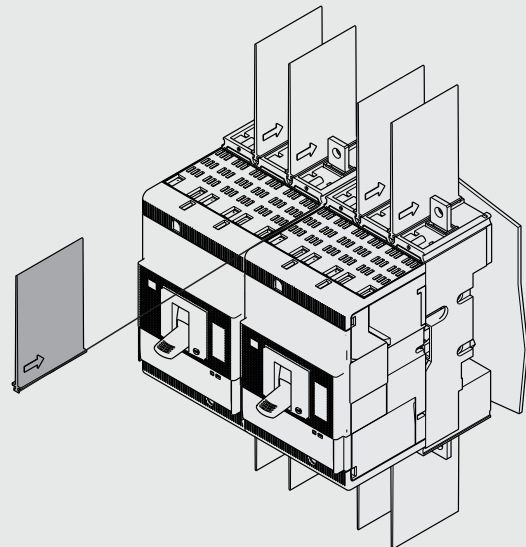
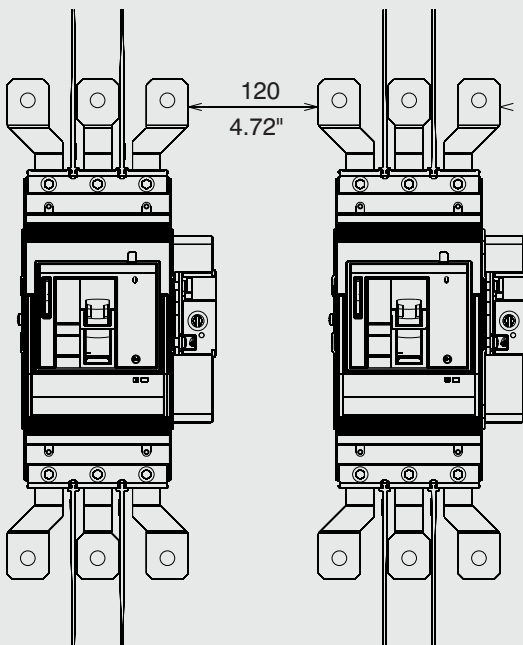
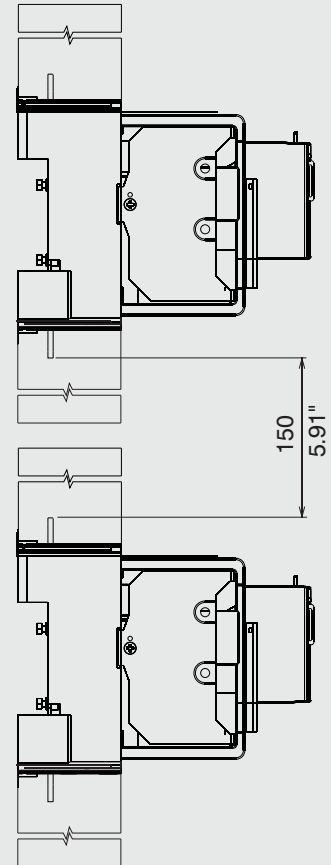
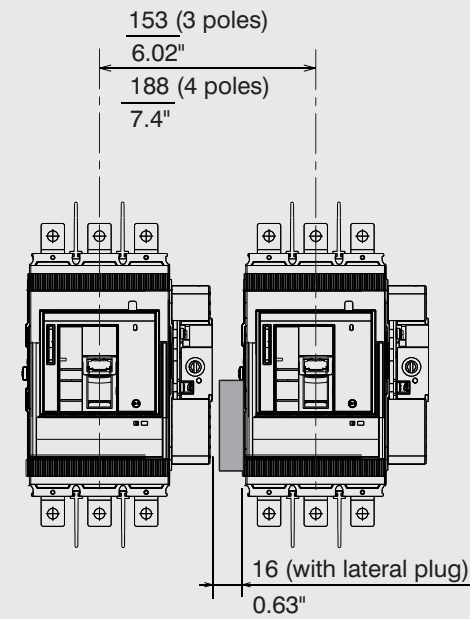
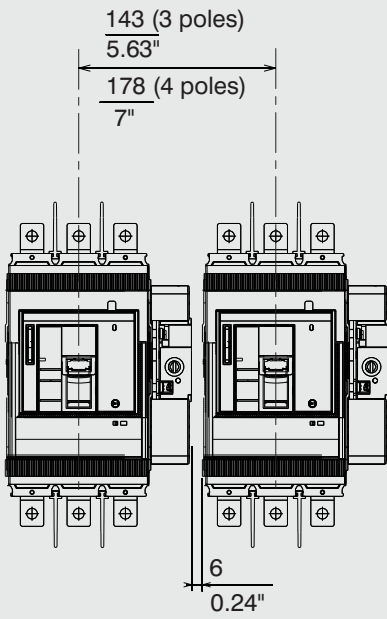
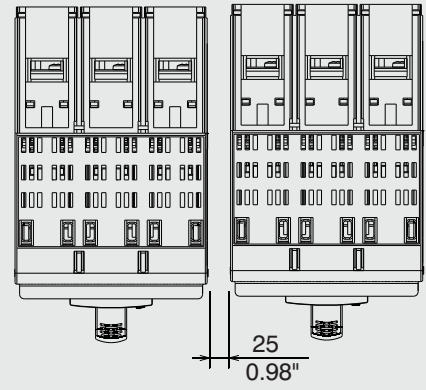
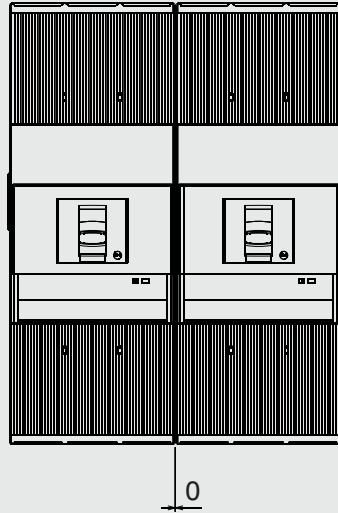
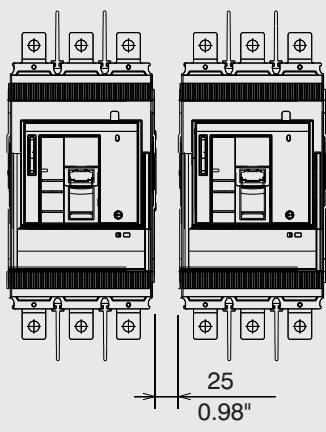
Example cables 2,5 ÷ 10mm²

XT4 N,S,H,L,V				
Ue	A	B	C	D
AC ≥440V	50	45	20	0
AC <440V	30	25	20	0
DC ≤250V	50	45	20	0
250V<DC≤500V	50	45	50	30

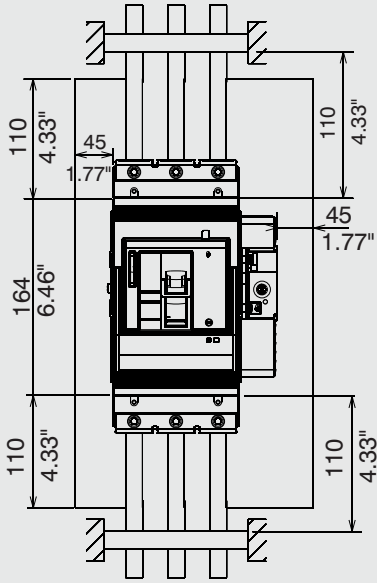
XT4 N,S,H,L,V				
Ue	A	B	C	D
AC ≥440V	1.97"	1.77"	0.79"	0
AC <440V	1.18"	0.98"	0.79"	0
DC ≤250V	1.97"	1.77"	0.79"	0
250V<DC≤500V	1.97"	1.77"	1.97"	1.18"

XT4 X				
Ue	A	B	C	D
UP TO 690 VAC	66	66	50	30
UP TO 500 VDC	50	45	50	30
500V<DC≤750V	66	66	50	30

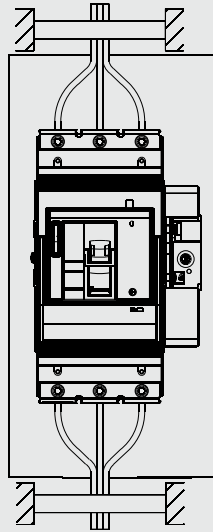
XT4 X				
Ue	A	B	C	D
UP TO 690 VAC	2.6"	2.6"	1.97"	1.18"
UP TO 500 VDC	1.97"	1.77"	1.97"	1.18"
500V<DC≤750V	2.6"	2.6"	1.97"	1.18"



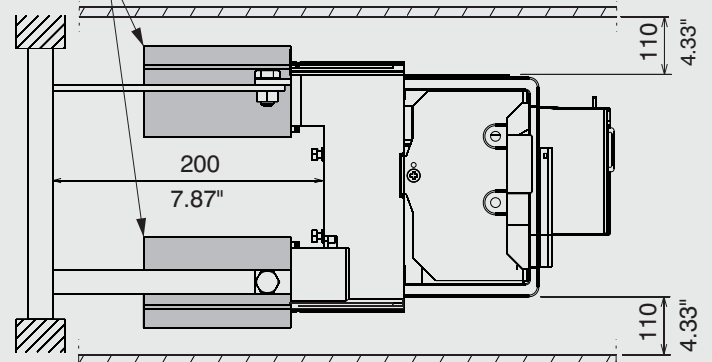
Example busbars and cables 6 AWG...350 kcmil



Example cables 14 AWG...10 AWG



Optional



143 (3 poles)

5.63"

153 (3 poles)

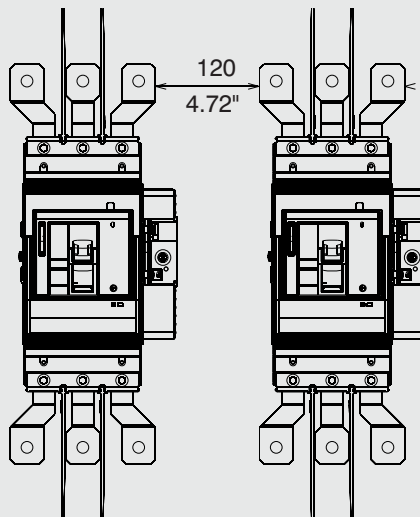
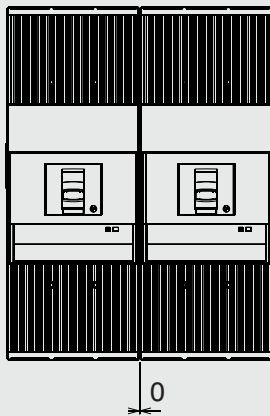
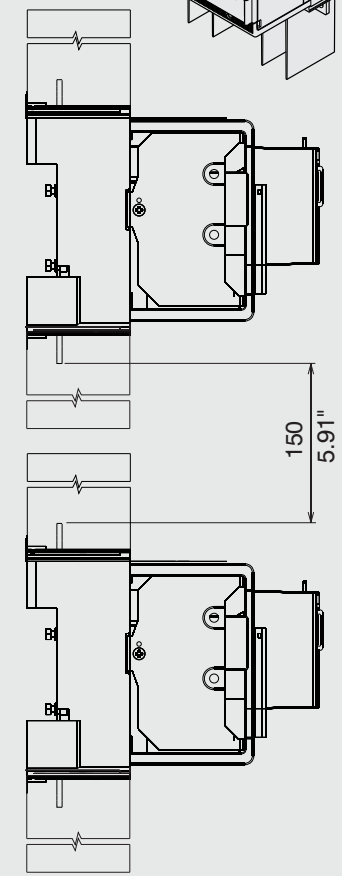
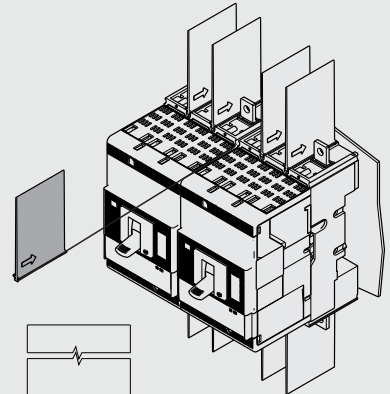
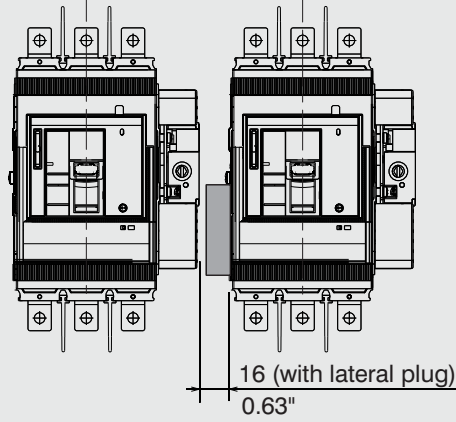
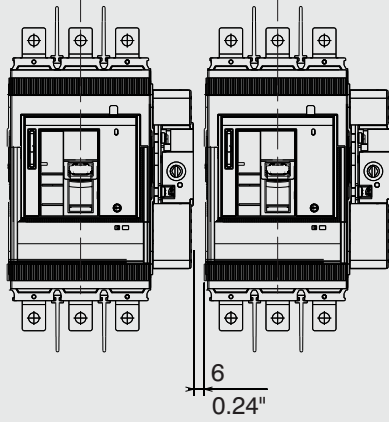
6.02"

178 (4 poles)

7"

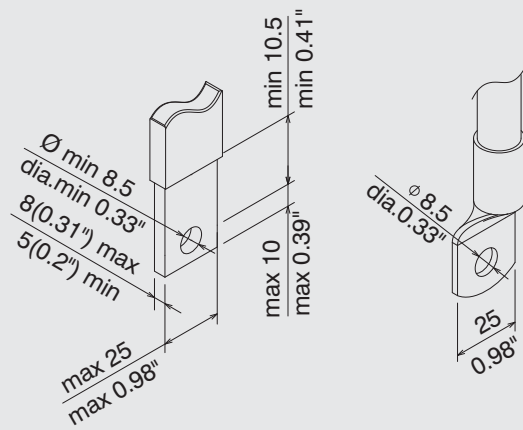
188 (4 poles)

7.4"



Terminali Terminals Anschlusse Prises Terminales 端子类型	Codici Codes Codes Codes Códigos 物料编号	Istruzioni d'installazione Installation instructions Installationsanleitung Instructions pour l'installation Instrucciones de instalación 安装说明	Dimensioni di ingombro Overall dimensions Abmessungen Dimensions d'encombrement Dimensiones generales 全部尺寸		
EF	1SDA066266R1	1/2 Kit - 3p	1SDH000719R0817	1SDH000722R0108	P
	1SDA066267R1	1/2 Kit - 4p		1SDH000722R0113	W
ES	1SDA066901R1	1/2 Kit - 3p	1SDH000719R0805	1SDH000722R0105	P
	1SDA066902R1	1/2 Kit - 4p		1SDH000722R0110	W
FC CuAl 1x1... 150 mm ²	1SDA067191R1	1/2 Kit - 3p	1SDH000719R0806	1SDH000722R0106	P
	1SDA067192R1	1/2 Kit - 4p		1SDH000722R0111	W
FC CuAl 1x120... 240mm ² + ADP	1SDA067195R1 ⁽¹⁾	1/2 Kit - 3p	1SDH000719R0643		
	1SDA067196R1 ⁽¹⁾	1/2 Kit - 4p			
FC Cu Al 2x35... 120 mm ²	1SDA067199R1	1/2 Kit - 3p	1SDH000719R0816	1SDH000722R0136	P
	1SDA067200R1	1/2 Kit - 4p		1SDH000722R0137	W
FC Cu Al 2x50... 150 mm ²	1SDA117915R1	1/2 Kit - 3p	1SDH000721R0816	1SDH000722R0136	P
	1SDA117916R1	1/2 Kit - 4p		1SDH000722R0137	W
FC Cu	1SDA066917R1	1/2 Kit - 3p	1SDH000719R0807	1SDH000722R0107	P
	1SDA066918R1	1/2 Kit - 4p		1SDH000722R0112	W
MC 6x2.5... 35mm ²	1SDA066933R1	1/2 Kit - 3p	1SDH000719R0818	1SDH000722R0107	P
	1SDA066934R1	1/2 Kit - 4p		1SDH000722R0112	W
HR/VR	1SDA066272R1	1/2 Kit - 3p	1SDH000719R0809	1SDH000722R0109	P
	1SDA066273R1	1/2 Kit - 4p		1SDH000722R0114	W
FB	1SDA066969R1	1/2 Kit - 3p	1SDH000719R0814		
	1SDA066970R1	1/2 Kit - 4p			

Terminali Terminals Anschlusse Prises Terminales 端子类型	Codici Codes Codes Codes Códigos 物料编号	Istruzioni d'installazione Installation instructions Installationsanleitung Instructions pour l'installation Instrucciones de instalación 安装说明	Dimensioni di ingombro Overall dimensions Abmessungen Dimensions d'encombrement Dimensiones generales 全部尺寸																																																																																																										
EF	1SDA066266R1	3pcs	1SDH000719R0817	1SDH000722R0108 1SDH000722R0113	P W																																																																																																								
	1SDA066267R1	4pcs				ES	1SDA066901R1	3pcs	1SDH000719R0805	1SDH000722R0105 1SDH000722R0110	P W	1SDA066902R1	4pcs	FC Cu Al 14...1/0 AWG	1SDA075893R1	3pcs	1SDH000719R0807	1SDH000722R0106 1SDH000722R0111	P W	1SDA075894R1	4pcs	1SDA081994R1	3pcs	AuxV	1SDA081995R1	4pcs	AuxV	FC Cu Al 4 AWG... 300 Kcmil	1SDA114855R1	2pcs	1SDH000722R0826			1SDA075861R1	3pcs	1SDH000719R0806			1SDA075862R1	4pcs	1SDA081992R1	3pcs	AuxV	1SDA081993R1	4pcs	AuxV	FC Cu Al 3/0 AWG... 350 Kcmil	1SDA114854R1	2pcs	1SDH000722R0816			1SDA114847R1	3pcs	1SDH000722R0806			1SDA114848R1	4pcs	1SDA114849R1	3pcs	AuxV	1SDA114850R1	4pcs	AuxV	FC Cu Al 3/0 AWG... 350 Kcmil Extended	1SDA075865R1	3pcs	1SDH000722R0806			1SDA075866R1	4pcs	1SDA085581R1	3pcs	AuxV	1SDA085582R1	4pcs	AuxV	FC Cu 10...250 AWG	1SDA075893R1	3pcs	1SDH000719R0807	1SDH000722R0107 1SDH000722R0112	P W	1SDA075894R1	4pcs	MC	1SDA075909R1	3pcs	1SDH000719R0818	1SDH000722R0107 1SDH000722R0112	P W	1SDA075910R1	4pcs	HR/VR	1SDA066272R1	3pcs	1SDH000719R0813	1SDH000722R0109 1SDH000722R0114	P W	1SDA066273R1	4pcs	FB	1SDA066969R1	3pcs	1SDH000719R0814		
ES	1SDA066901R1	3pcs	1SDH000719R0805	1SDH000722R0105 1SDH000722R0110	P W																																																																																																								
	1SDA066902R1	4pcs				FC Cu Al 14...1/0 AWG	1SDA075893R1	3pcs	1SDH000719R0807	1SDH000722R0106 1SDH000722R0111	P W	1SDA075894R1	4pcs		1SDA081994R1	3pcs				AuxV	1SDA081995R1	4pcs	AuxV	FC Cu Al 4 AWG... 300 Kcmil	1SDA114855R1	2pcs	1SDH000722R0826				1SDA075861R1	3pcs	1SDH000719R0806				1SDA075862R1	4pcs	1SDA081992R1	3pcs	AuxV	1SDA081993R1	4pcs	AuxV	FC Cu Al 3/0 AWG... 350 Kcmil	1SDA114854R1		2pcs	1SDH000722R0816			1SDA114847R1	3pcs	1SDH000722R0806				1SDA114848R1	4pcs	1SDA114849R1	3pcs	AuxV	1SDA114850R1	4pcs	AuxV		FC Cu Al 3/0 AWG... 350 Kcmil Extended	1SDA075865R1		3pcs	1SDH000722R0806			1SDA075866R1	4pcs	1SDA085581R1	3pcs	AuxV	1SDA085582R1	4pcs	AuxV	FC Cu 10...250 AWG	1SDA075893R1	3pcs	1SDH000719R0807	1SDH000722R0107 1SDH000722R0112	P W	1SDA075894R1	4pcs	MC	1SDA075909R1	3pcs	1SDH000719R0818	1SDH000722R0107 1SDH000722R0112	P W	1SDA075910R1	4pcs	HR/VR	1SDA066272R1	3pcs	1SDH000719R0813	1SDH000722R0109 1SDH000722R0114	P W	1SDA066273R1	4pcs	FB	1SDA066969R1	3pcs	1SDH000719R0814
FC Cu Al 14...1/0 AWG	1SDA075893R1	3pcs	1SDH000719R0807	1SDH000722R0106 1SDH000722R0111	P W																																																																																																								
	1SDA075894R1	4pcs																																																																																																											
	1SDA081994R1	3pcs					AuxV																																																																																																						
	1SDA081995R1	4pcs				AuxV																																																																																																							
FC Cu Al 4 AWG... 300 Kcmil	1SDA114855R1	2pcs	1SDH000722R0826																																																																																																										
	1SDA075861R1	3pcs	1SDH000719R0806																																																																																																										
	1SDA075862R1	4pcs																																																																																																											
	1SDA081992R1	3pcs		AuxV																																																																																																									
	1SDA081993R1	4pcs		AuxV																																																																																																									
FC Cu Al 3/0 AWG... 350 Kcmil	1SDA114854R1	2pcs	1SDH000722R0816																																																																																																										
	1SDA114847R1	3pcs	1SDH000722R0806																																																																																																										
	1SDA114848R1	4pcs																																																																																																											
	1SDA114849R1	3pcs		AuxV																																																																																																									
	1SDA114850R1	4pcs		AuxV																																																																																																									
FC Cu Al 3/0 AWG... 350 Kcmil Extended	1SDA075865R1	3pcs	1SDH000722R0806																																																																																																										
	1SDA075866R1	4pcs																																																																																																											
	1SDA085581R1	3pcs		AuxV																																																																																																									
	1SDA085582R1	4pcs		AuxV																																																																																																									
FC Cu 10...250 AWG	1SDA075893R1	3pcs	1SDH000719R0807	1SDH000722R0107 1SDH000722R0112	P W																																																																																																								
	1SDA075894R1	4pcs																																																																																																											
MC	1SDA075909R1	3pcs	1SDH000719R0818	1SDH000722R0107 1SDH000722R0112	P W																																																																																																								
	1SDA075910R1	4pcs																																																																																																											
HR/VR	1SDA066272R1	3pcs	1SDH000719R0813	1SDH000722R0109 1SDH000722R0114	P W																																																																																																								
	1SDA066273R1	4pcs																																																																																																											
FB	1SDA066969R1	3pcs	1SDH000719R0814																																																																																																										
	1SDA066970R1	4pcs																																																																																																											



For more information please contact:

ABB S.p.A.

Via Pescaria, 5

24123 Bergamo - Italy

Phone: +39 035 395 111