

# Tmax molded case circuit-breakers

## Tmax T5

### Compliance with Standards

UL489
CSA C22.2 No. 5.1
IEC 60947-2
EC Directive:
- "Low voltage directives" (LVD) no. 73/23
EEC
- "Electromagnetic compatibility directive"
(EMC) no. 89/336.EEC



Type of circuit-breaker		Tmax T5				
Frame		400 / 600 <sup>(1)</sup>				
Rated ultimate short-circuit breaking capacity, I <sub>cu</sub>		N	S	H	L	V
(AC) 50-60 Hz 240 V	[kA]	65	100	150	200	200
(AC) 50-60 Hz 277 V	[kA]	-	-	-	-	-
(AC) 50-60 Hz 347 V	[kA]	-	-	-	-	-
(AC) 50-60 Hz 480 V	[kA]	25	35	65	100	150
(AC) 50-60 Hz 600Y/347 V	[kA]	-	-	-	-	-
(AC) 50-60 Hz 600 V	[kA]	18	25	35	65	100
(DC) 250 V-2 poles in series	[kA]	-	-	-	-	-
(DC) 500 V-2 poles in series	[kA]	25	35	50	65	100
(DC) 500 V-3 poles in series	[kA]	-	-	-	-	-
(DC) 600 V-3 poles in series	[kA]	16	25	35	50	65
<b>Trip units:</b>						
T fixed, M fixed (10xIn) TMF		-				
T adj., M fixed (10xIn) TMD		-				
Thermomagnetic	T adj., M adj. (5...10xIn) TMA	•				
T adj., M fixed (3xIn) TMG		-				
T adj., M adj. (2.5...5xIn) TMG		-				
Magnetic only	M adjustable (6...12xIn) MA	-				
PR221DS		•				
Electronic	PR222DS/P	•				
PR222DS/PD-A		•				
Versions		F-P-W				
Fixed (F)		F-FC CuAl				
Terminals	Plug-in (P)	F-FC CuAl EF-ES-R				
	Withdrawable (W)	F-FC CuAl EF-ES-R				
Fixing on DIN rail		-				
Mechanical life [No. operations /hourly oper.]		20000/120				
Electrical life (at 415 V) [No. operations /hourly oper.]		7000/60 (5000/60 for 600A)				
Basic fixed dimensions		W [mm]	140/184			
		D [mm]	103.5/103.5			
		H [mm]	205/205			
Weights	fixed 3/4 pole	[kg]	3.25/4.15			
	plug-in 3/4 pole	[kg]	5.15/6.65			
	Withdrawable 3/4 pole	[kg]	5.4/6.9			

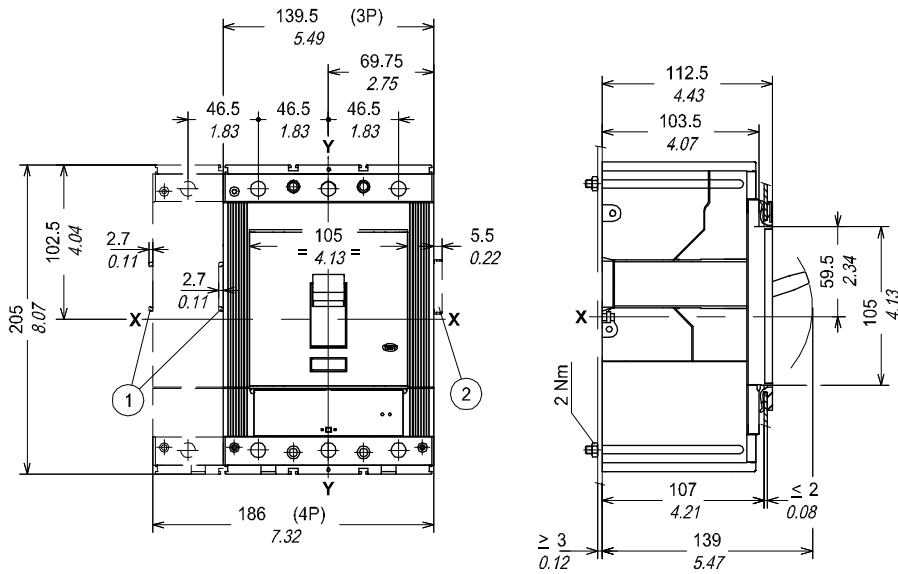
(1) T5 600 only available with electronic trip unit and 3P



# Tmax molded case circuit-breakers

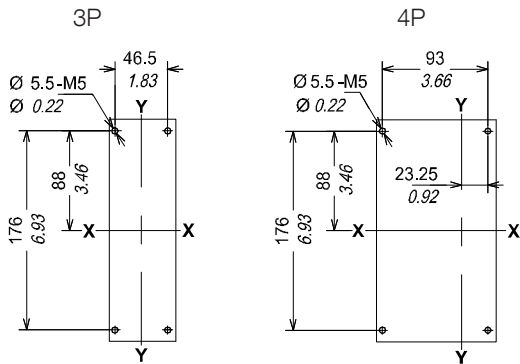
## Dimensions T5 series

### Overall dimensions T5



- 1 Overall dimensions with cabled accessories mounted (SOR-C, UVR-C, RC222)
- 2 Overall dimensions with cabled auxiliary contacts mounted (only 3Q 1SY)

### Drilling template for support sheet



# Contact us

## Canada

**ABB Inc.**

**Low Voltage Products**

**2117 – 32nd Avenue**

**Lachine, QC, CANADA H8T 3J1**

**Tel.: 514-420-3100**

**Fax: 514-420-3137**

**Toll Free: 1-800-567-0283**

[www.abb.ca](http://www.abb.ca)

While all care has been taken to ensure that the information contained in this publication is correct, no responsibility can be accepted for any inaccuracy. The Company reserves the right to alter or modify the information contained herein at any time in the light of technical or other developments. Technical specifications are valid under normal operating conditions only. The Company does not accept any responsibility for any misuse of the product and cannot be held liable for indirect or consequential damages.

© Copyright 2011 ABB Inc. All rights reserved.

