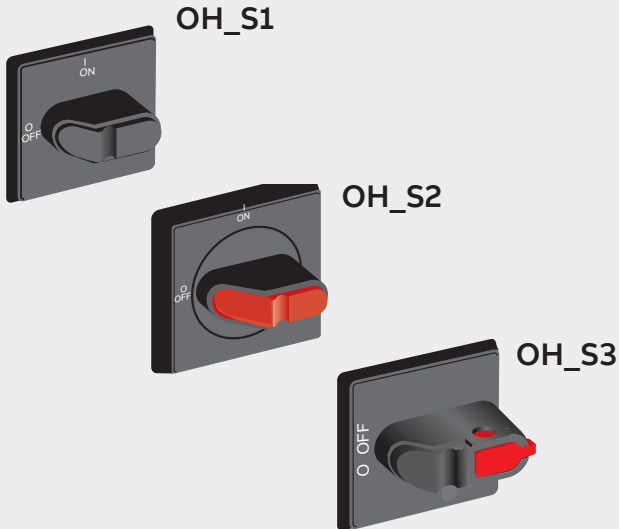


INSTALLATION INSTRUCTION

Handles

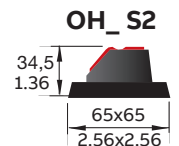
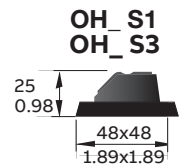
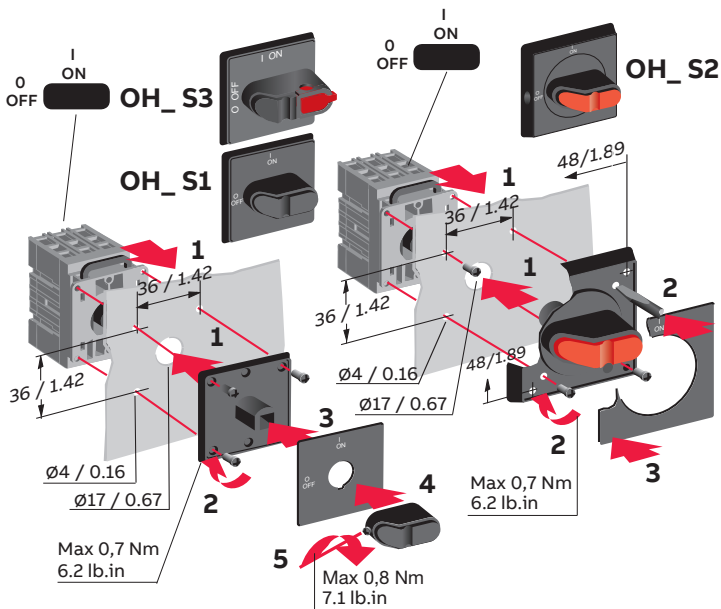
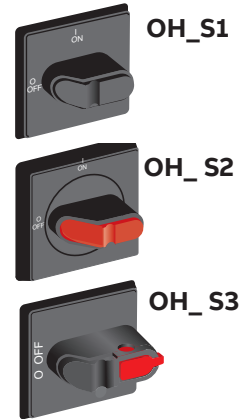
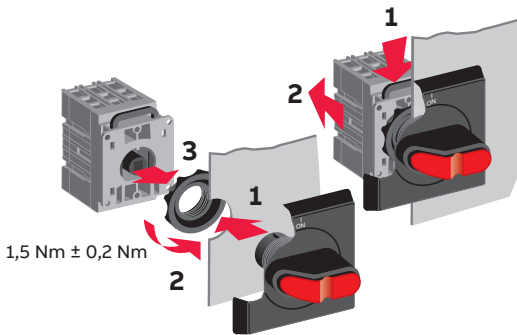
OH_S_



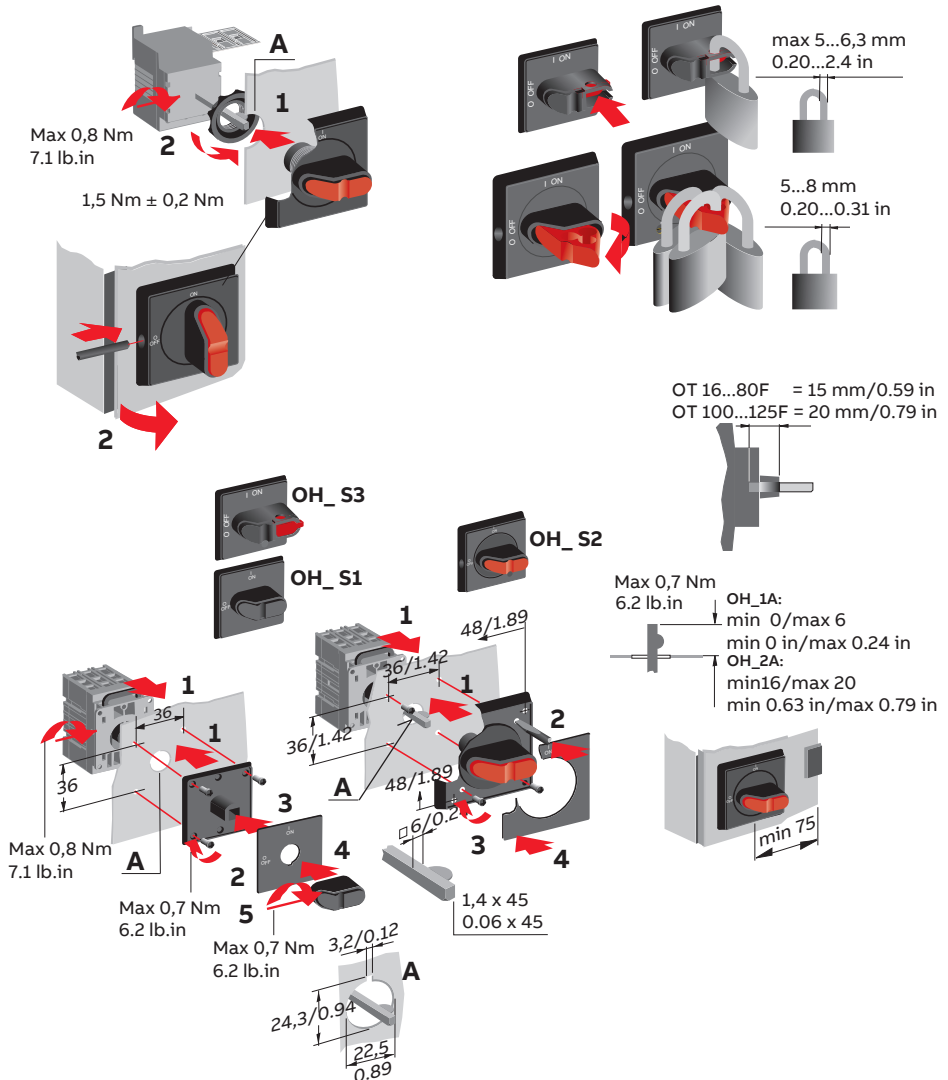
Label should be affixed to the rear mounting surface immediately adjacent the handle after installation.

OH_1: Type 1
OH_2: Type 1, 3R, 12

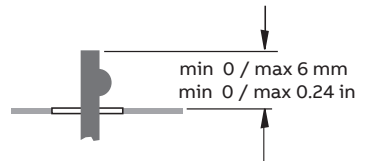
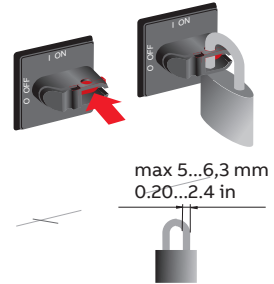
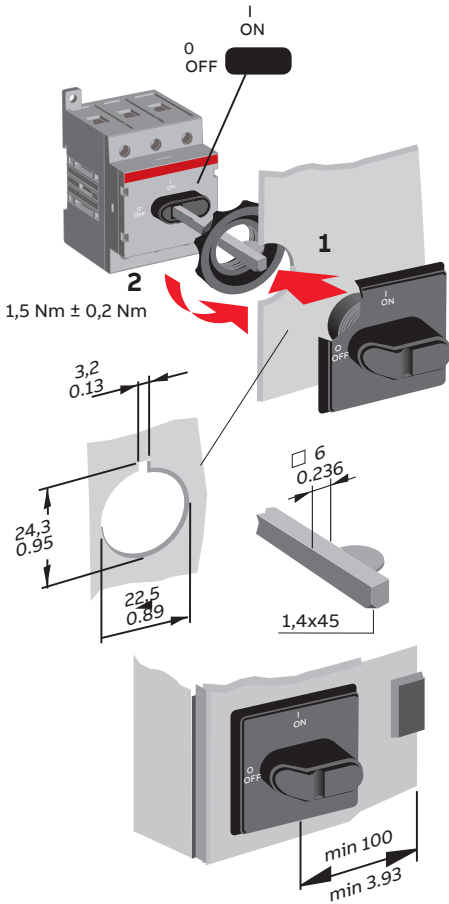
OH_S1P, OH_S2P, OH_S3P



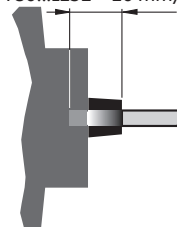
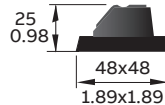
OH_S1R, OH_S2R, OH_S3R



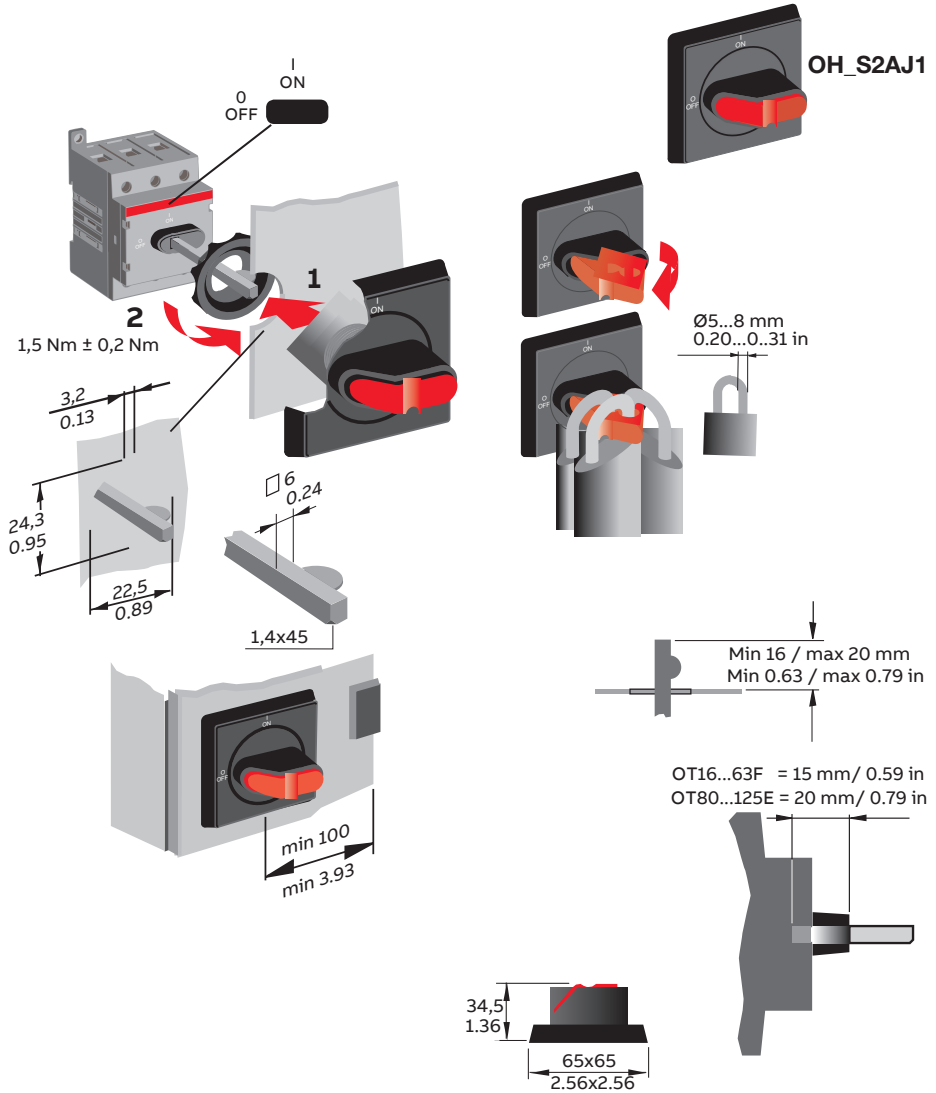
OH_S1A, OH_S3A



OT16...63F = 15 mm / 0.59 in
OT80...125E = 20 mm / 0.79 in



OH_S2A





Contact us

ABB Oy

P.O. Box 622
FI-65101 Vaasa
Finland

abb.com/lowvoltage