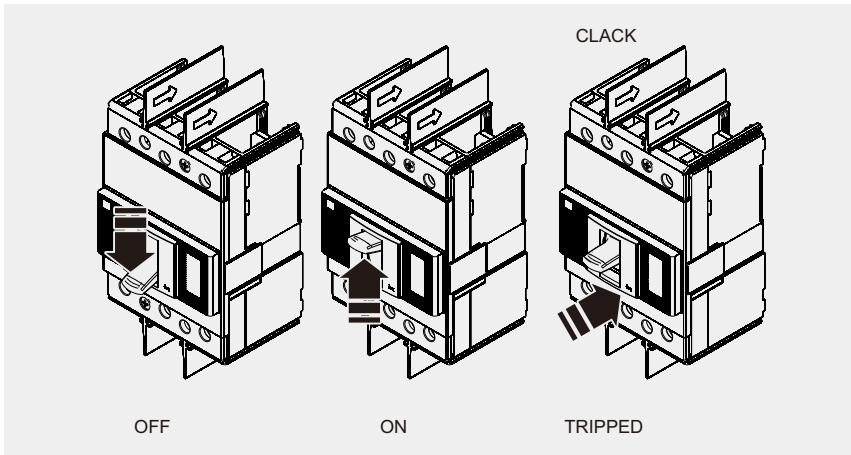


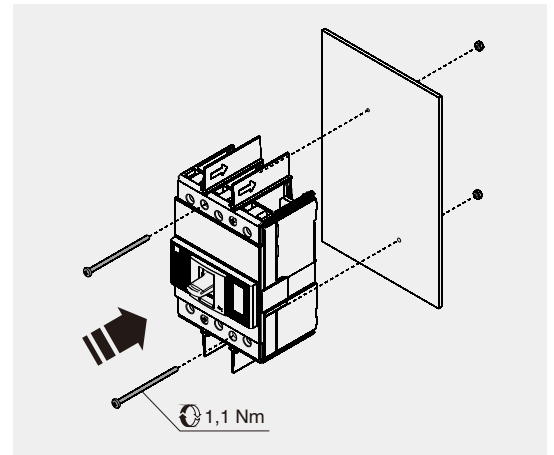
SACE Tmax XT

Istruzioni di installazione XT3 IEC
Installation instructions XT3 IEC
Installationsanleitung XT3 IEC
Instructions pour l'installation XT3 IEC
Instrucciones de instalación XT3 IEC
安装说明书 XT3 IEC

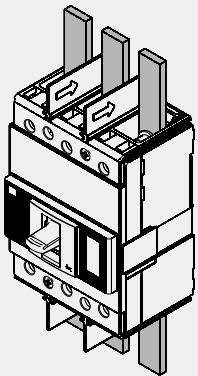
1



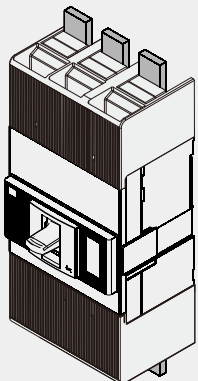
2



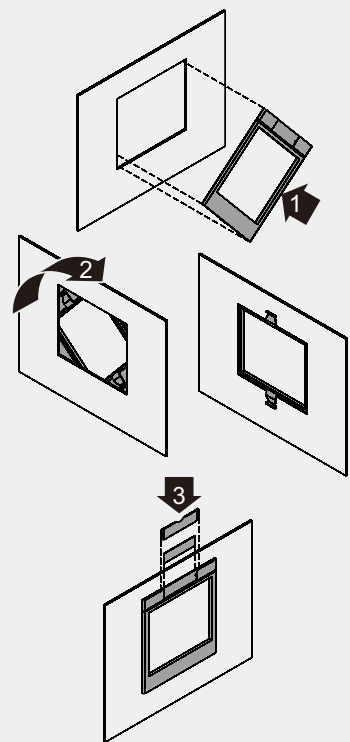
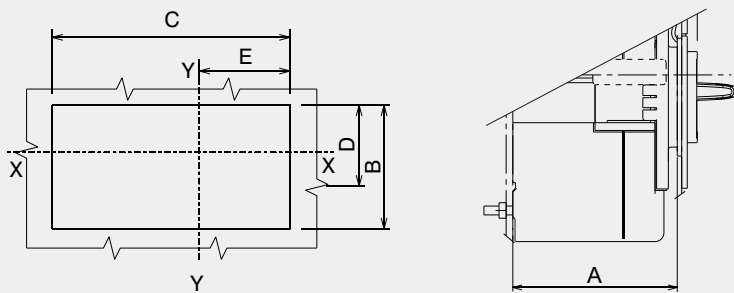
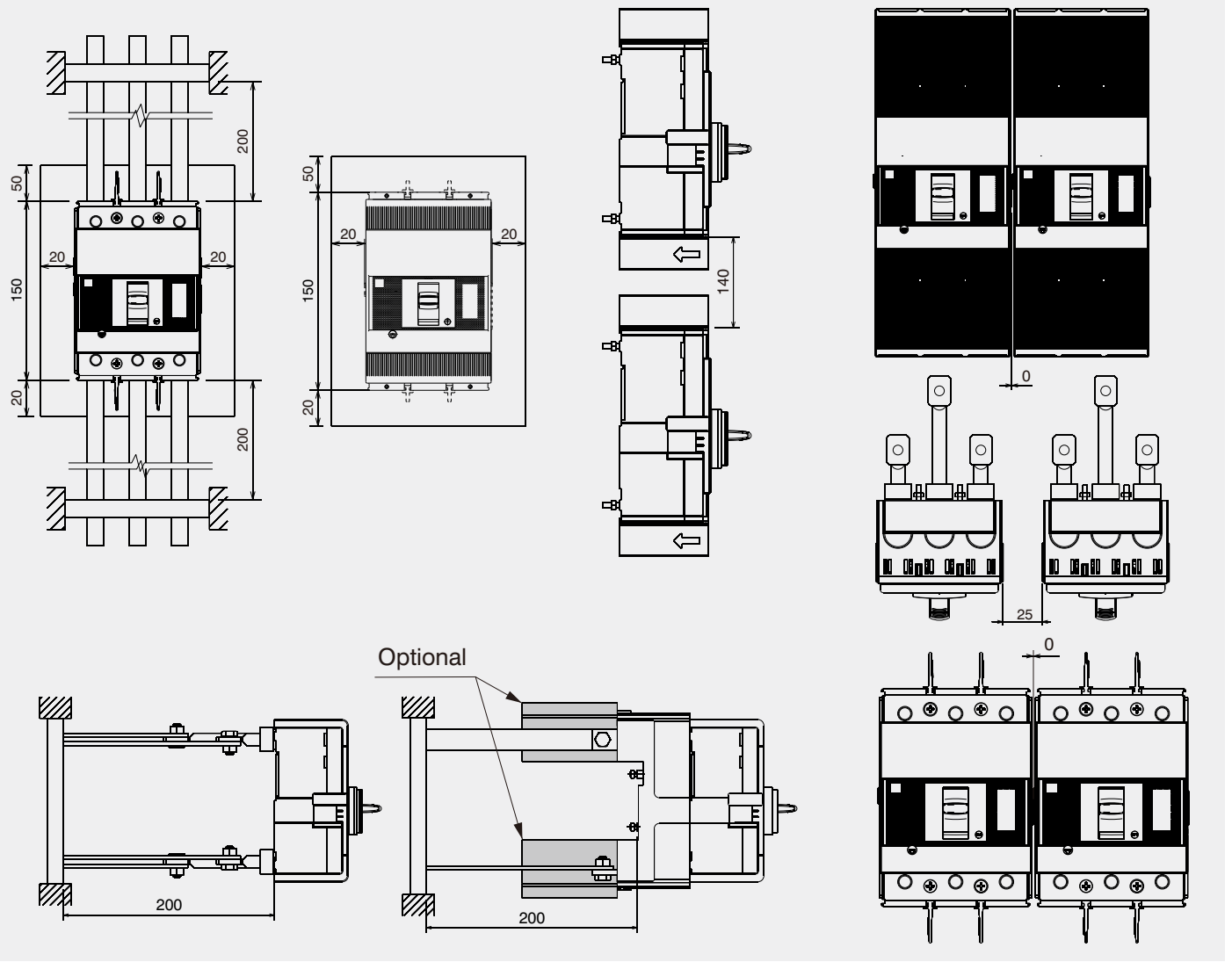
3



Usare cavi o barre isolate/ o eseguire prove di tipo specifiche sull' installazione.
Use cable or insulated busbars/ or perform specific type test on the installation.
Kabel oder isolierte Sammelschienen verwenden / oder die spezifische Typprüfung auf der Installation durchführen.
Utiliser un câble ou des barres isolées/ ou réaliser un test de type spécifique sur installation.
Utilizar un cable o barras aisladas / o efectuar una prueba de tipo específico sobre instalación.
使用电缆或经绝缘处理的母排，否则需对安装进行指定的型式试验



L'utilizzo di barre non isolate con $U_e \leq 480V$ prevede il montaggio obbligatorio di copriterminali HTC.
The use of not insulated busbars with $U_e \leq 480V$ involves the mandatory assembly of terminal-covers HTC.
Die Benutzung von Schienen nicht isolierten mit $U_e \leq 480V$ sieht Die obligatorisch Montage von Klemmenabdeckung HTC.
L'utilisation de barres non isolées avec $U_e \leq 480V$ prévoit le montage obligatoire du cache-bornes HTC.
La utilización de barras no aisladas con $U_e \leq 480V$ prevé el montaje obligatorio de cubre-bornes HTC.
使用不绝缘母线必须安装高端子盖板HTC。



		F	A		B	C	D	E
			P					
			50mm	70mm				
XT3 WITH FLANGE CON MOSTRINA	3P	74	124	144	55	110	17,5	55
	4P	74	124	144	55	145	17,5	55
	OPTIONAL FLANGE 3P-4P	79	129	149	73	57	26,5	28,5
XT3 WITHOUT FLANGE SENZA MOSTRINA		F	A		B	C	D	E
			P					
			50mm	70mm				
			3P-4P	79				
3P	71	121	141	47	102	13,5	51	
4P	71	121	141	47	137	13,5	51	

Terminali Terminals Anschlusse Prises Terminales 端子类型	Codici Codes Codes Codes Códigos 物料编号	Istruzioni d'installazione Installation instructions Installationsanleitung Instructions pour l'installation Instrucciones de instalación 安装说明	Dimensioni di ingombro Overall dimensions Abmessungen Dimensions d'encombrement Dimensiones generales 全部尺寸				
F	<table border="1"> <tr><td>1SDA066857R1</td><td>1/2 Kit - 3p</td></tr> <tr><td>1SDA066858R1</td><td>1/2 Kit - 4p</td></tr> </table>	1SDA066857R1	1/2 Kit - 3p	1SDA066858R1	1/2 Kit - 4p	1SDH000719R0811	1SDH000720R0100
1SDA066857R1	1/2 Kit - 3p						
1SDA066858R1	1/2 Kit - 4p						
EF	<table border="1"> <tr><td>1SDA066873R1</td><td>1/2 Kit - 3p</td></tr> <tr><td>1SDA066874R1</td><td>1/2 Kit - 4p</td></tr> </table>	1SDA066873R1	1/2 Kit - 3p	1SDA066874R1	1/2 Kit - 4p	1SDH000719R0804	1SDH000720R0123
1SDA066873R1	1/2 Kit - 3p						
1SDA066874R1	1/2 Kit - 4p						
ES	<table border="1"> <tr><td>1SDA066897R1</td><td>1/2 Kit - 3p</td></tr> <tr><td>1SDA066898R1</td><td>1/2 Kit - 4p</td></tr> </table>	1SDA066897R1	1/2 Kit - 3p	1SDA066898R1	1/2 Kit - 4p	1SDH000719R0805	1SDH000720R0101
1SDA066897R1	1/2 Kit - 3p						
1SDA066898R1	1/2 Kit - 4p						
FC CuAl 1x185 mm²	<table border="1"> <tr><td>1SDA067179R1</td><td>1/2 Kit - 3p</td></tr> <tr><td>1SDA067180R1</td><td>1/2 Kit - 4p</td></tr> </table>	1SDA067179R1	1/2 Kit - 3p	1SDA067180R1	1/2 Kit - 4p	1SDH000719R0806	1SDH000720R0102
1SDA067179R1	1/2 Kit - 3p						
1SDA067180R1	1/2 Kit - 4p						
FC CuAl 1x120... 240mm²	<table border="1"> <tr><td>1SDA067183R1</td><td>1/2 Kit - 3p</td></tr> <tr><td>1SDA067184R1</td><td>1/2 Kit - 4p</td></tr> </table>	1SDA067183R1	1/2 Kit - 3p	1SDA067184R1	1/2 Kit - 4p	1SDH000719R0643	
1SDA067183R1	1/2 Kit - 3p						
1SDA067184R1	1/2 Kit - 4p						
FC Cu Al 2x35... 120 mm²	<table border="1"> <tr><td>1SDA067187R1</td><td>1/2 Kit - 3p</td></tr> <tr><td>1SDA067188R1</td><td>1/2 Kit - 4p</td></tr> </table>	1SDA067187R1	1/2 Kit - 3p	1SDA067188R1	1/2 Kit - 4p	1SDH000719R0816	
1SDA067187R1	1/2 Kit - 3p						
1SDA067188R1	1/2 Kit - 4p						
FC Cu Al 2x50... 150 mm²	<table border="1"> <tr><td>1SDA117913R1</td><td>1/2 Kit - 3p</td></tr> <tr><td>1SDA117914R1</td><td>1/2 Kit - 4p</td></tr> </table>	1SDA117913R1	1/2 Kit - 3p	1SDA117914R1	1/2 Kit - 4p	1SDH000721R0816	1SDH000720R0133
1SDA117913R1	1/2 Kit - 3p						
1SDA117914R1	1/2 Kit - 4p						
FC Cu Al 1x35... 150 mm²	<table border="1"> <tr><td>1SDA066274R1</td><td>1/2 Kit - 3p</td></tr> <tr><td>1SDA066275R1</td><td>1/2 Kit - 4p</td></tr> </table>	1SDA066274R1	1/2 Kit - 3p	1SDA066275R1	1/2 Kit - 4p	1SDH000719R0806	1SDH000720R0121
1SDA066274R1	1/2 Kit - 3p						
1SDA066275R1	1/2 Kit - 4p						
FC Cu	<table border="1"> <tr><td>1SDA066913R1</td><td>1/2 Kit - 3p</td></tr> <tr><td>1SDA066914R1</td><td>1/2 Kit - 4p</td></tr> </table>	1SDA066913R1	1/2 Kit - 3p	1SDA066914R1	1/2 Kit - 4p	1SDH000719R0807	1SDH000720R0103
1SDA066913R1	1/2 Kit - 3p						
1SDA066914R1	1/2 Kit - 4p						
MC Cu 6x2.5... 35mm²	<table border="1"> <tr><td>1SDA066929R1</td><td>1/2 Kit - 3p</td></tr> <tr><td>1SDA066930R1</td><td>1/2 Kit - 4p</td></tr> </table>	1SDA066929R1	1/2 Kit - 3p	1SDA066930R1	1/2 Kit - 4p	1SDH000719R0808	1SDH000720R0103
1SDA066929R1	1/2 Kit - 3p						
1SDA066930R1	1/2 Kit - 4p						
R	<table border="1"> <tr><td>1SDA066945R1</td><td>1/2 Kit - 3p</td></tr> <tr><td>1SDA066946R1</td><td>1/2 Kit - 4p</td></tr> </table>	1SDA066945R1	1/2 Kit - 3p	1SDA066946R1	1/2 Kit - 4p	1SDH000719R0809	1SDH000720R0104
1SDA066945R1	1/2 Kit - 3p						
1SDA066946R1	1/2 Kit - 4p						
R-RC	<table border="1"> <tr><td>1SDA066954R1</td><td>1/2 Kit - 4p</td></tr> </table>	1SDA066954R1	1/2 Kit - 4p	1SDH000719R0810	1SDH000720R0131		
1SDA066954R1	1/2 Kit - 4p						
FB	<table border="1"> <tr><td>1SDA066965R1</td><td>1/2 Kit - 3p</td></tr> <tr><td>1SDA066966R1</td><td>1/2 Kit - 4p</td></tr> </table>	1SDA066965R1	1/2 Kit - 3p	1SDA066966R1	1/2 Kit - 4p	1SDH000719R0814	
1SDA066965R1	1/2 Kit - 3p						
1SDA066966R1	1/2 Kit - 4p						

Terminali Terminals Anschlusse Prises Terminales 端子类型	Codici Codes Codes Codes Códigos 物料编号	Istruzioni d'installazione Installation instructions Installationsanleitung Instructions pour l'installation Instrucciones de instalación 安装说明	Dimensioni di ingombro Overall dimensions Abmessungen Dimensions d'encombrement Dimensiones generales 全部尺寸				
EF	<table border="1"><tr><td>1SDA066266R1</td><td>1/2 Kit - 3p</td></tr><tr><td>1SDA066267R1</td><td>1/2 Kit - 4p</td></tr></table>	1SDA066266R1	1/2 Kit - 3p	1SDA066267R1	1/2 Kit - 4p	1SDH000719R0804	1SDH000720R0108
1SDA066266R1	1/2 Kit - 3p						
1SDA066267R1	1/2 Kit - 4p						
ES	<table border="1"><tr><td>1SDA066897R1</td><td>1/2 Kit - 3p</td></tr><tr><td>1SDA066898R1</td><td>1/2 Kit - 4p</td></tr></table>	1SDA066897R1	1/2 Kit - 3p	1SDA066898R1	1/2 Kit - 4p	1SDH000719R0805	1SDH000720R0105
1SDA066897R1	1/2 Kit - 3p						
1SDA066898R1	1/2 Kit - 4p						
FC CuAl 1x185 mm²	<table border="1"><tr><td>1SDA067179R1</td><td>1/2 Kit - 3p</td></tr><tr><td>1SDA067180R1</td><td>1/2 Kit - 4p</td></tr></table>	1SDA067179R1	1/2 Kit - 3p	1SDA067180R1	1/2 Kit - 4p	1SDH000719R0806	1SDH000720R0106
1SDA067179R1	1/2 Kit - 3p						
1SDA067180R1	1/2 Kit - 4p						
FC CuAl 1x120... 240mm²	<table border="1"><tr><td>1SDA067183R1</td><td>1/2 Kit - 3p</td></tr><tr><td>1SDA067184R1</td><td>1/2 Kit - 4p</td></tr></table>	1SDA067183R1	1/2 Kit - 3p	1SDA067184R1	1/2 Kit - 4p	1SDH000719R0643	
1SDA067183R1	1/2 Kit - 3p						
1SDA067184R1	1/2 Kit - 4p						
FC Cu Al 2x35... 120 mm²	<table border="1"><tr><td>1SDA067187R1</td><td>1/2 Kit - 3p</td></tr><tr><td>1SDA067188R1</td><td>1/2 Kit - 4p</td></tr></table>	1SDA067187R1	1/2 Kit - 3p	1SDA067188R1	1/2 Kit - 4p	1SDH000719R0816	
1SDA067187R1	1/2 Kit - 3p						
1SDA067188R1	1/2 Kit - 4p						
FC Cu Al 2x50... 150 mm²	<table border="1"><tr><td>1SDA117913R1</td><td>1/2 Kit - 3p</td></tr><tr><td>1SDA117914R1</td><td>1/2 Kit - 4p</td></tr></table>	1SDA117913R1	1/2 Kit - 3p	1SDA117914R1	1/2 Kit - 4p	1SDH000721R0816	1SDH000720R0120
1SDA117913R1	1/2 Kit - 3p						
1SDA117914R1	1/2 Kit - 4p						
FC Cu Al 1x35... 150 mm²	<table border="1"><tr><td>1SDA066274R1</td><td>1/2 Kit - 3p</td></tr><tr><td>1SDA066275R1</td><td>1/2 Kit - 4p</td></tr></table>	1SDA066274R1	1/2 Kit - 3p	1SDA066275R1	1/2 Kit - 4p	1SDH000719R0806	1SDH000720R0122
1SDA066274R1	1/2 Kit - 3p						
1SDA066275R1	1/2 Kit - 4p						
FC Cu	<table border="1"><tr><td>1SDA066913R1</td><td>1/2 Kit - 3p</td></tr><tr><td>1SDA066914R1</td><td>1/2 Kit - 4p</td></tr></table>	1SDA066913R1	1/2 Kit - 3p	1SDA066914R1	1/2 Kit - 4p	1SDH000719R0807	1SDH000720R0107
1SDA066913R1	1/2 Kit - 3p						
1SDA066914R1	1/2 Kit - 4p						
MC Cu 6x2.5... 35mm²	<table border="1"><tr><td>1SDA066929R1</td><td>1/2 Kit - 3p</td></tr><tr><td>1SDA066930R1</td><td>1/2 Kit - 4p</td></tr></table>	1SDA066929R1	1/2 Kit - 3p	1SDA066930R1	1/2 Kit - 4p	1SDH000719R0808	1SDH000720R0107
1SDA066929R1	1/2 Kit - 3p						
1SDA066930R1	1/2 Kit - 4p						
HR/VR	<table border="1"><tr><td>1SDA066272R1</td><td>1/2 Kit - 3p</td></tr><tr><td>1SDA066273R1</td><td>1/2 Kit - 4p</td></tr></table>	1SDA066272R1	1/2 Kit - 3p	1SDA066273R1	1/2 Kit - 4p	1SDH000719R0809	1SDH000720R0109
1SDA066272R1	1/2 Kit - 3p						
1SDA066273R1	1/2 Kit - 4p						
R-RC	<table border="1"><tr><td>1SDA066954R1</td><td>1/2 Kit - 4p</td></tr></table>	1SDA066954R1	1/2 Kit - 4p	1SDH000719R0810			
1SDA066954R1	1/2 Kit - 4p						
FB	<table border="1"><tr><td>1SDA066965R1</td><td>1/2 Kit - 3p</td></tr><tr><td>1SDA066966R1</td><td>1/2 Kit - 4p</td></tr></table>	1SDA066965R1	1/2 Kit - 3p	1SDA066966R1	1/2 Kit - 4p	1SDH000719R0814	
1SDA066965R1	1/2 Kit - 3p						
1SDA066966R1	1/2 Kit - 4p						

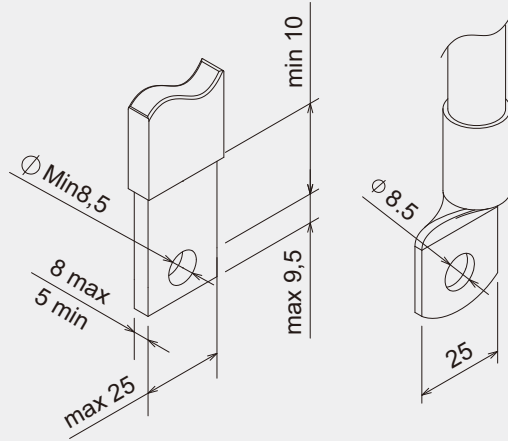


Diagram illustrating the installation of a component into a terminal block. Step 1 shows the component being inserted into the terminal block. Step 2 shows a screwdriver being used to adjust a screw on the front panel. The front panel has a label with the following information:

I1			
In	MIN (0,7)	MED (0,85)	MAX (1xIn)
63	44,1	53,5	63
80	56	68	80
100	70	85	100
125	87,5	106,2	125
160	112	136	160
200	140	170	200
250	175	212,5	250

I1			
In	MIN (Inx6)	MED (Inx9)	MAX (Inx12)
100	600	900	1200
125	750	1125	1500
160	960	1440	1920
200	1200	1800	2400

The diagram also includes labels 'TMD/TMG' and 'MA' next to the respective tables.