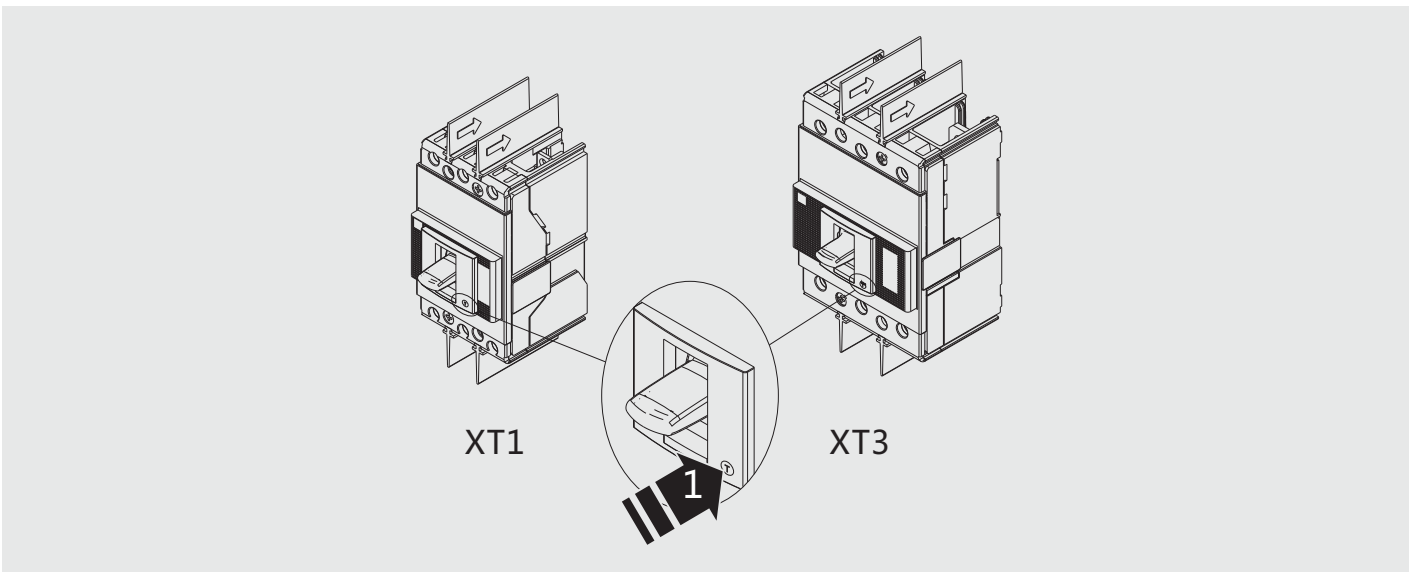


# SACE Tmax XT

- MOD - Comando a motore diretto cablato XT1-XT3
- MOD - Wired direct-acting motor operator XT1-XT3
- MOD - Motorantrieb mit Direktwirkung, verdrahtet XT1-XT3
- MOD - Commande par moteur a action directe câblé XT1-XT3
- MOD - Mando a motor de accion directa cableado XT1-XT3
- MOD - 带导线直动式电动操作机构 XT1-XT3

XT1-XT3

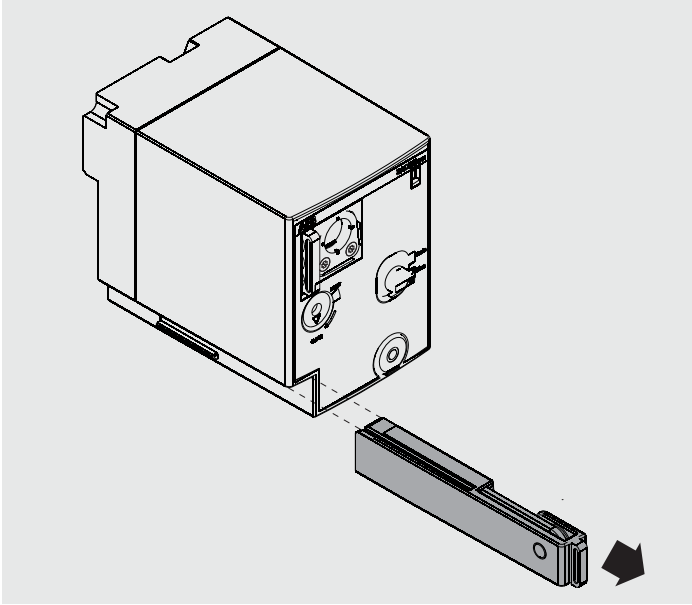


													ONLY FOR F-P
XT1	2	2	4	2	/	/	1	1	/	1	1	1	
XT3	2	2	4	/	1	1	1	/	1	1	1	1	

R1= Resistore esterno addizionale per comando a motore diretto alimentato a 480/525Vca.  
 R1= Additional external direct-acting motor operator resistor powered at 480/525 Vac.  
 R1= Zusätzlicher externer Widerstand für Motorantrieb mit Direktwirkung mit Speisung bei 480/525 V AC.  
 R1= Résistance extérieure supplémentaire à commande par moteur a action direct alimentée à 480/525Vca.  
 R1= Resistor externo adicional para mando a motor de accion directaalimentado a 480/525Vca.  
 R1= 直动式电动操作机构附加的外部电阻用于480/525Vac

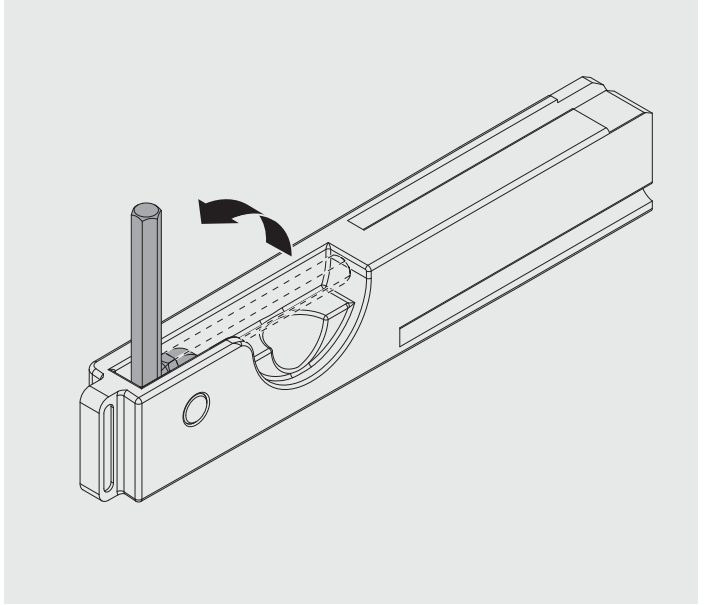
1

XT1-XT3 / F-P

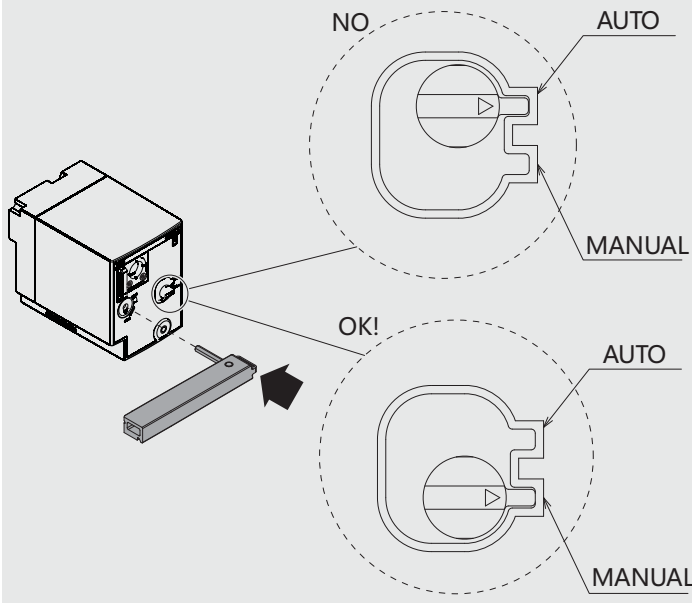


2

XT1-XT3 / F-P

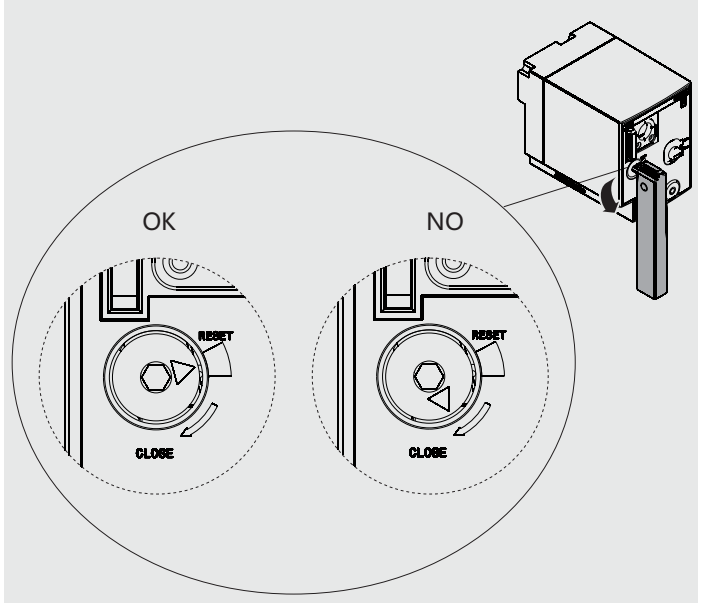


3

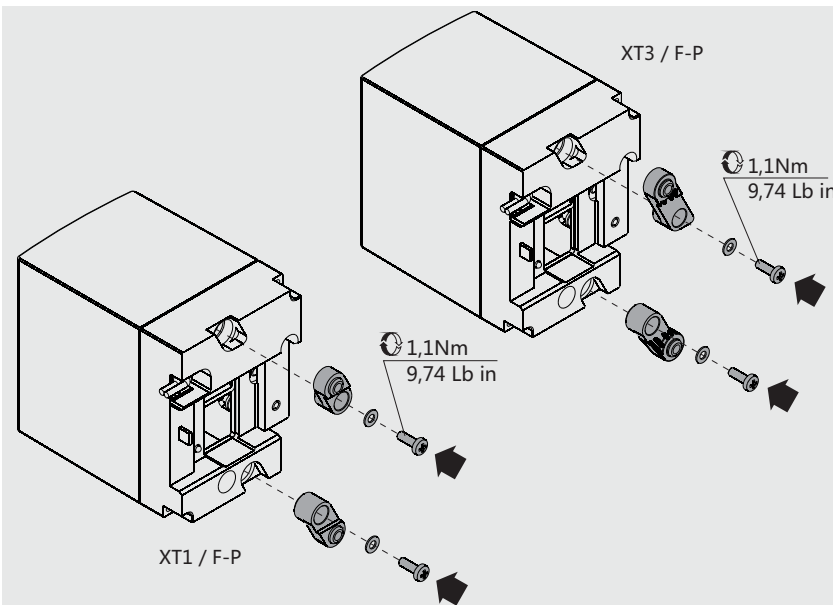


4

XT1-XT3 / F-P

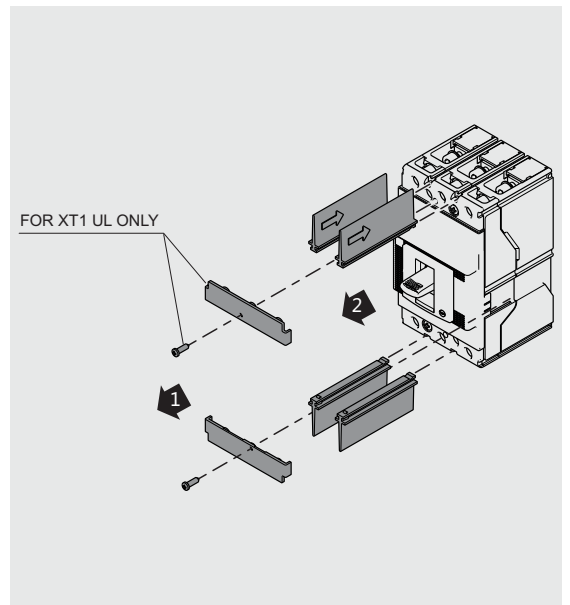


5



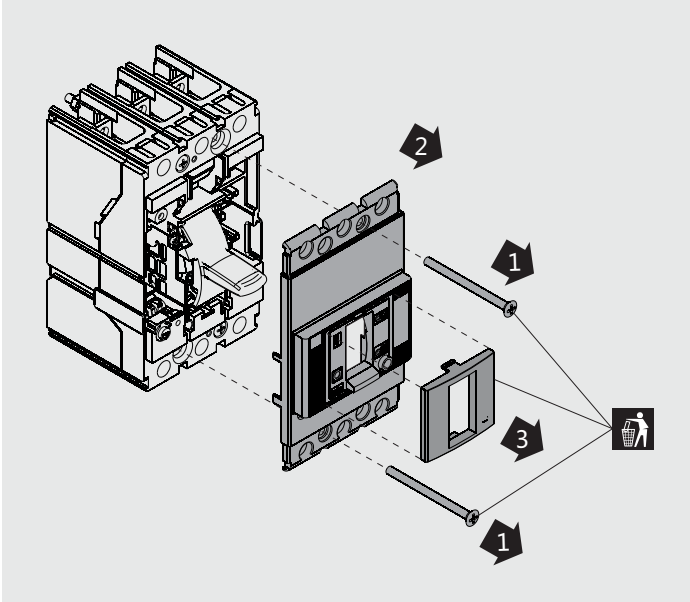
6

ONLY FOR XT1F - XT3F



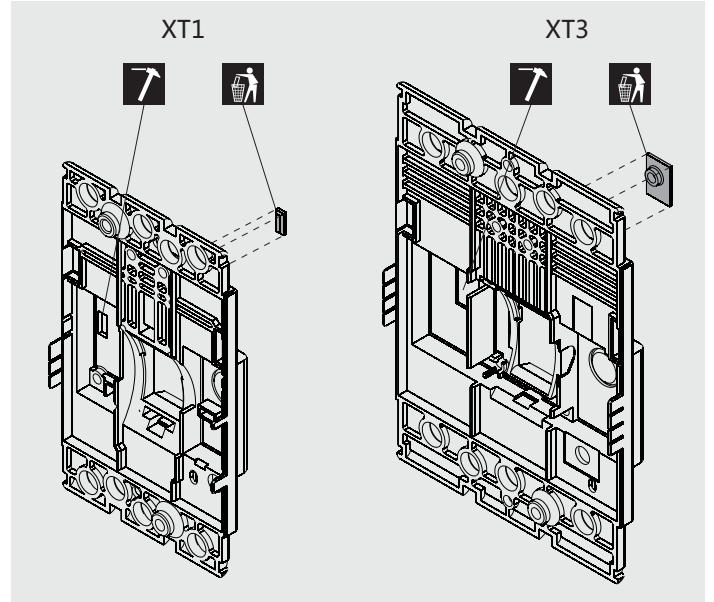
7

XT1-XT3 / F



8

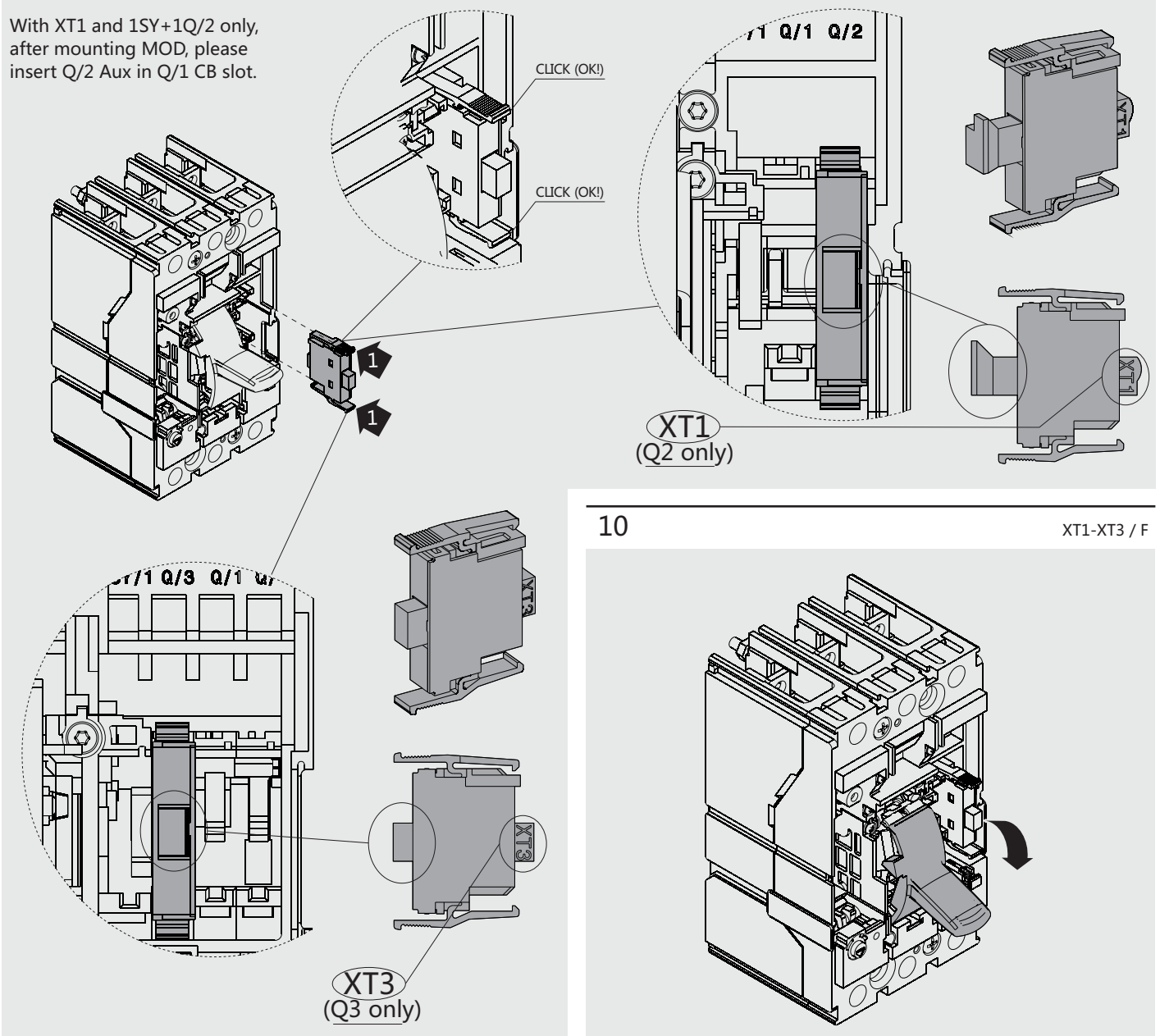
XT1-XT3 / F



9

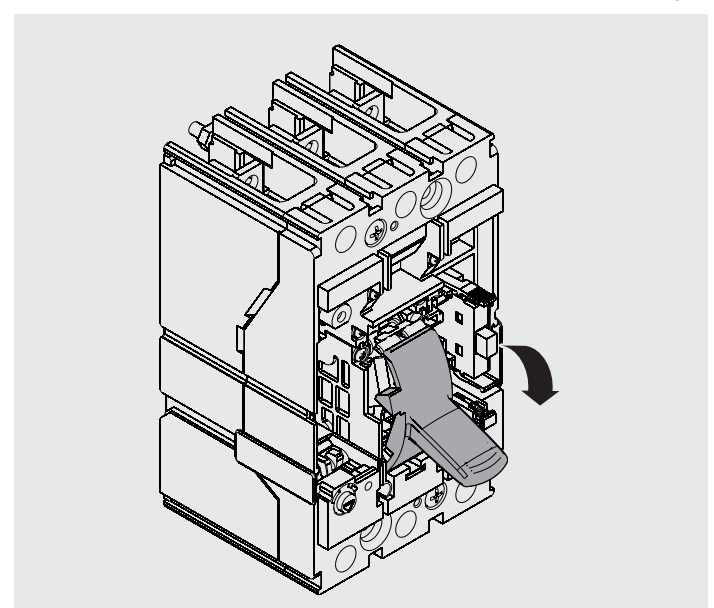
XT1-XT3 / F

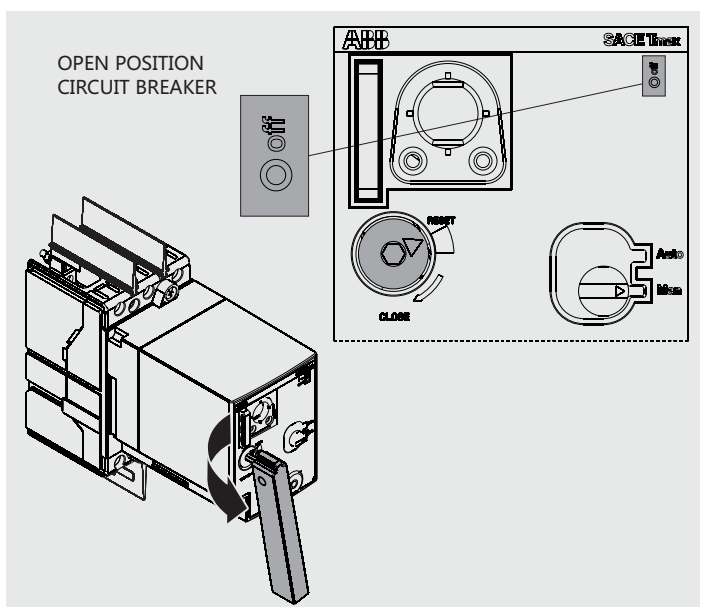
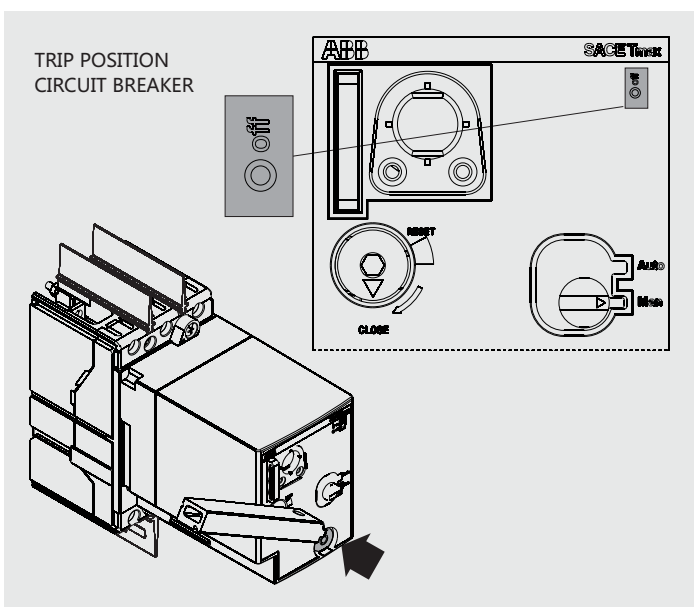
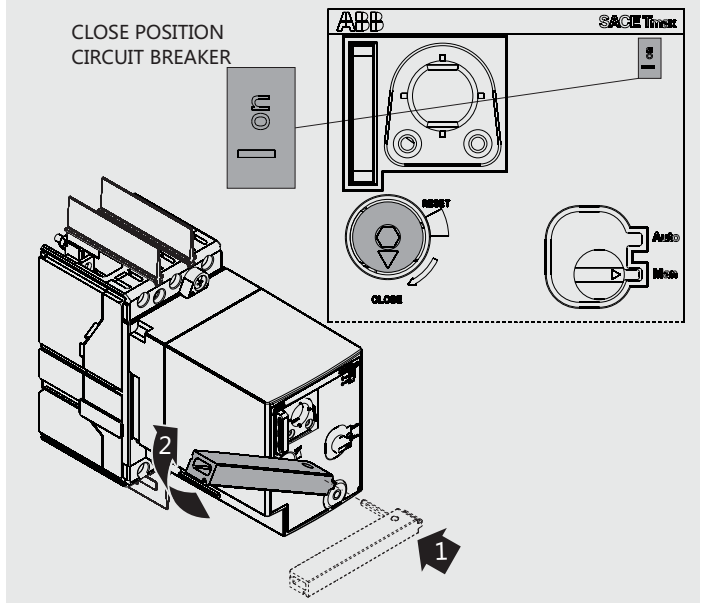
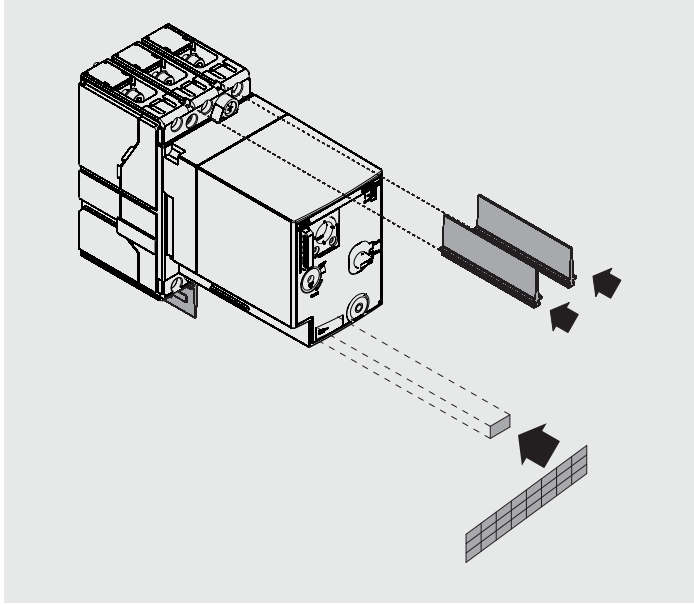
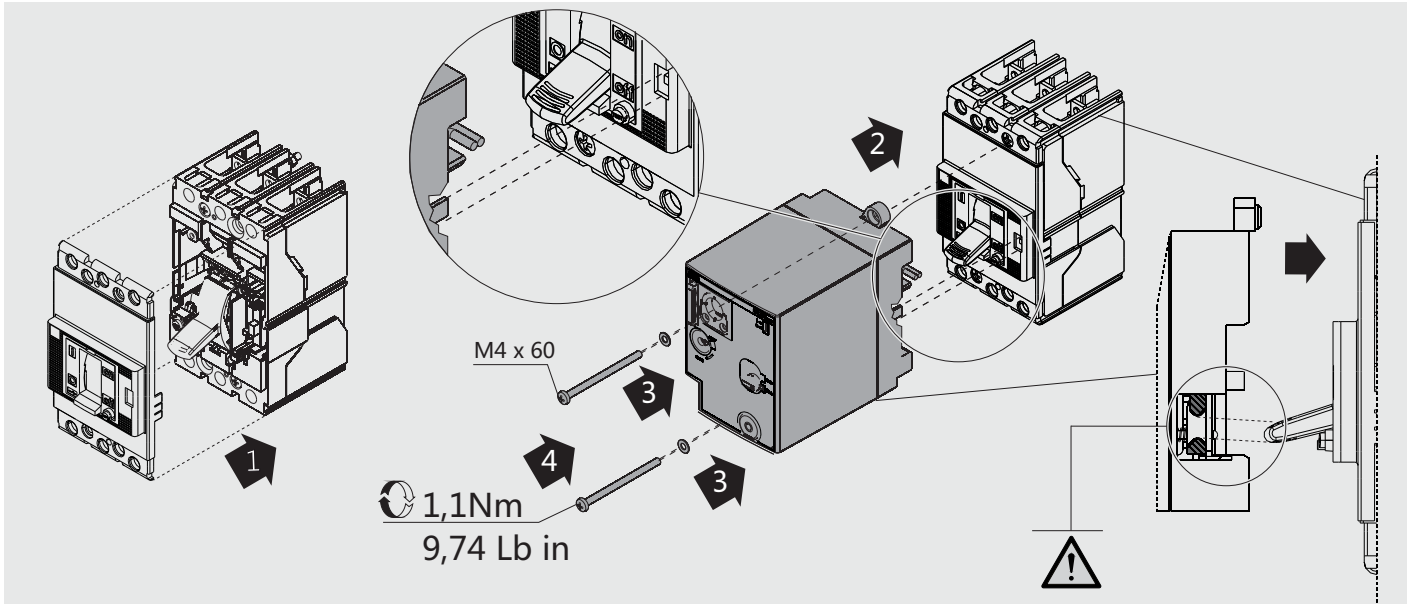
With XT1 and 1SY+1Q/2 only,  
after mounting MOD, please  
insert Q/2 Aux in Q/1 CB slot.



10

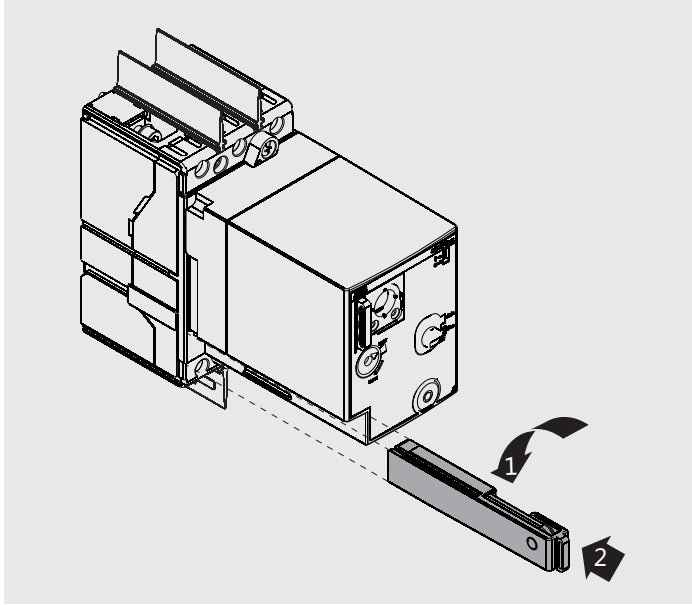
XT1-XT3 / F





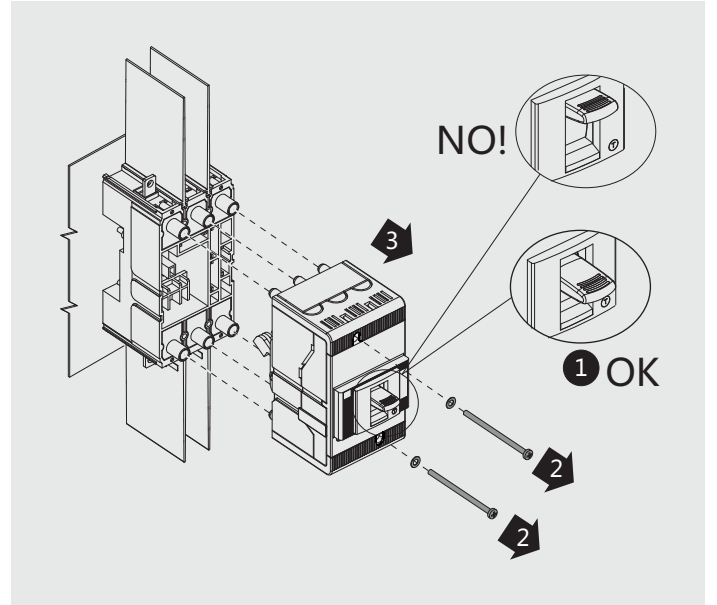
16

XT1-XT3 / F



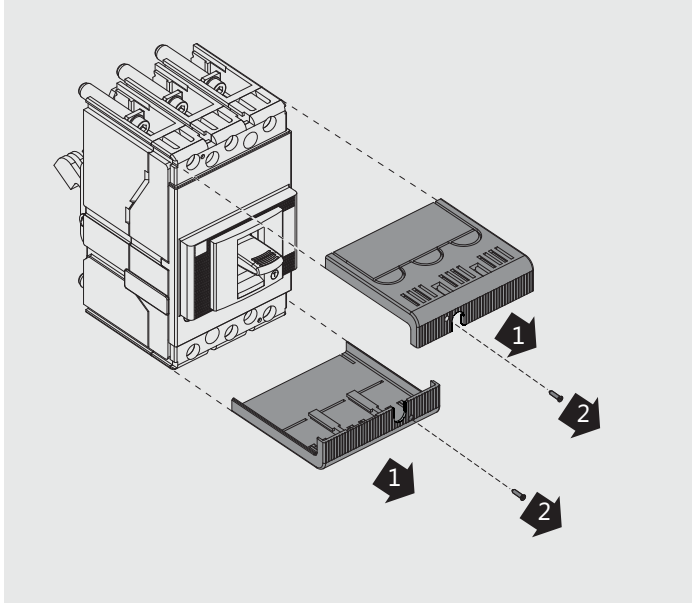
17

XT1-XT3 / P



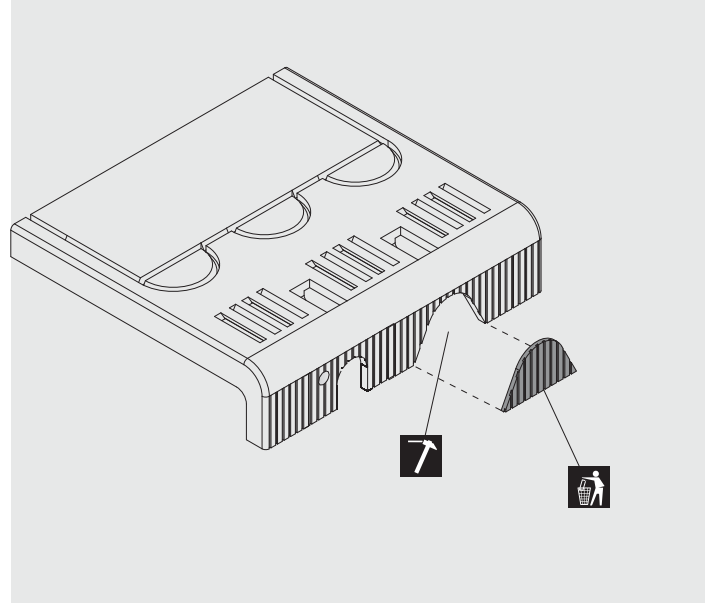
18

XT1-XT3 / P



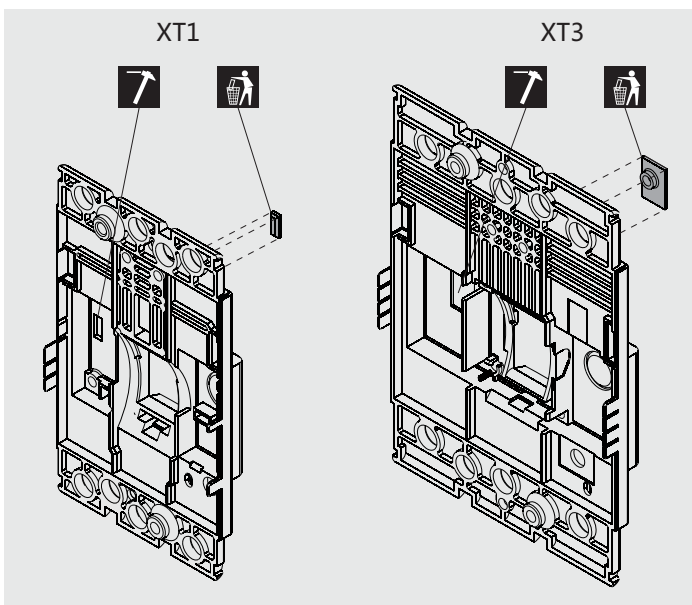
19

XT1-XT3 / P



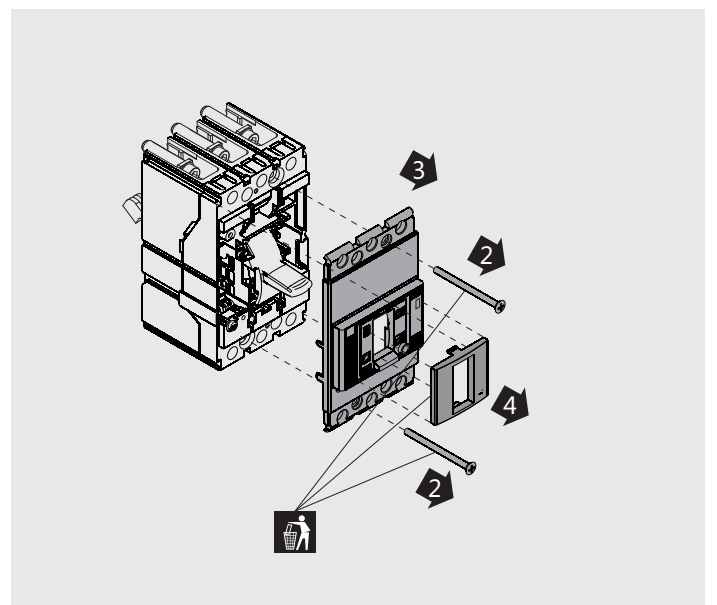
20

XT1-XT3 / P

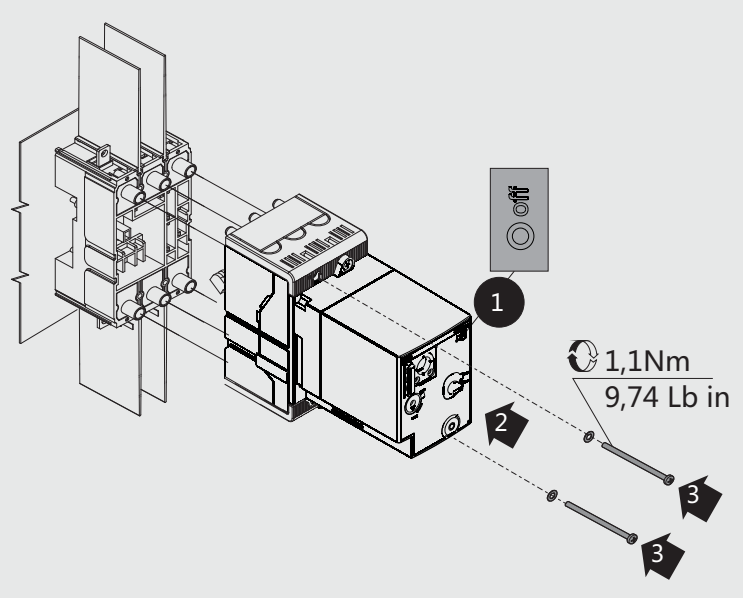
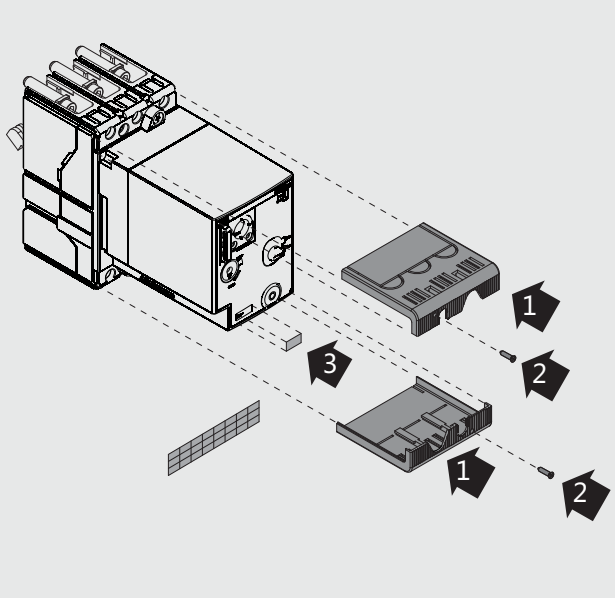
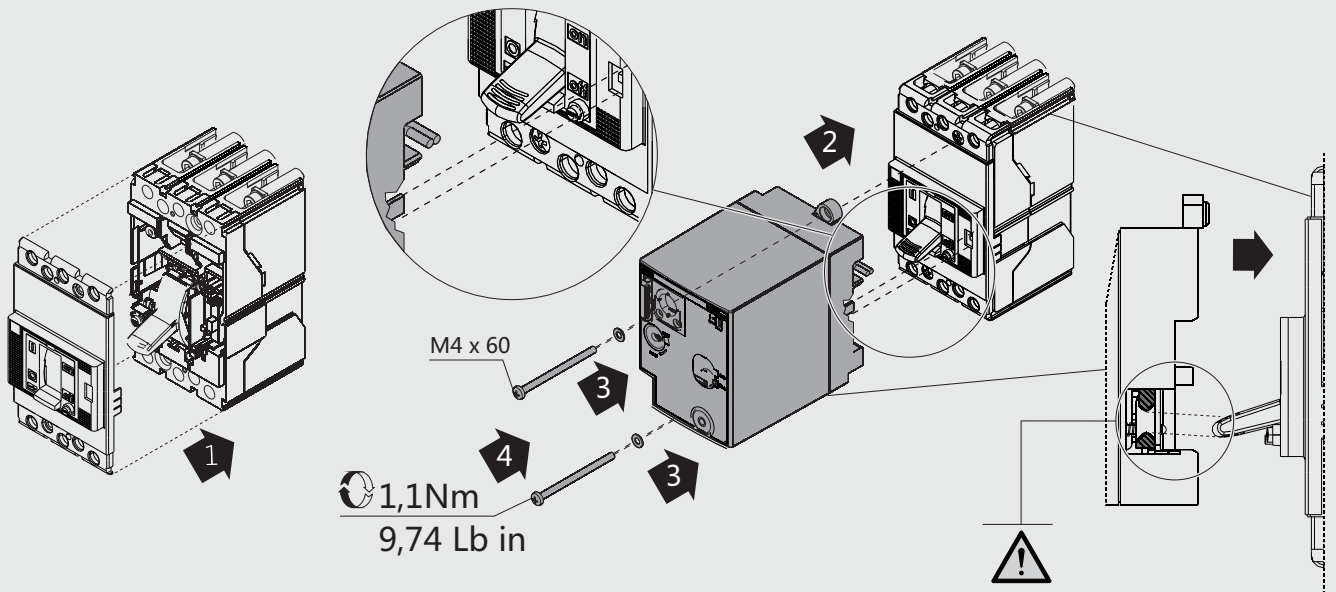
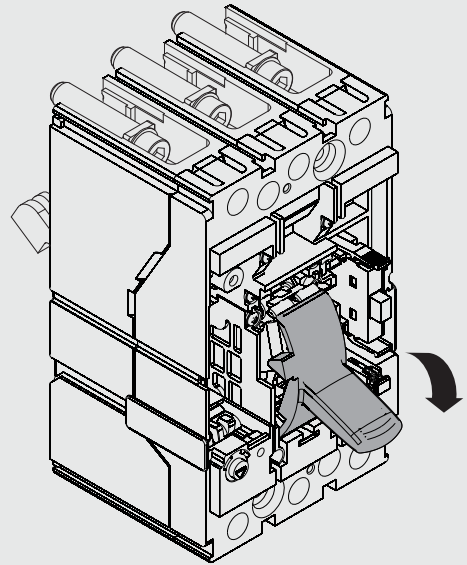
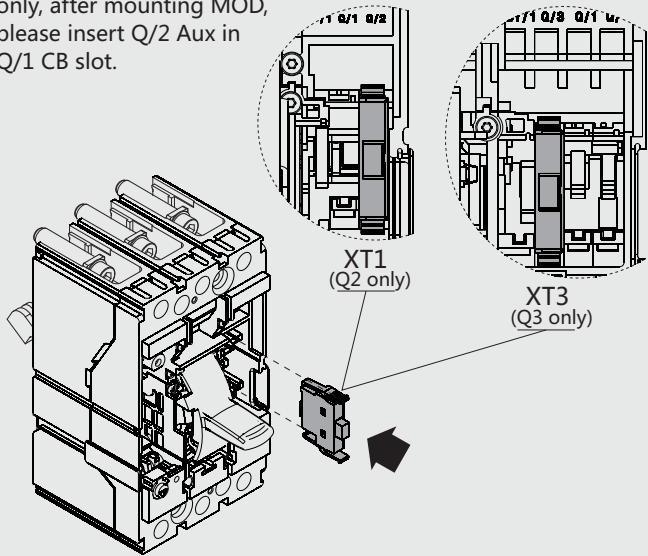


21

XT1-XT3 / P

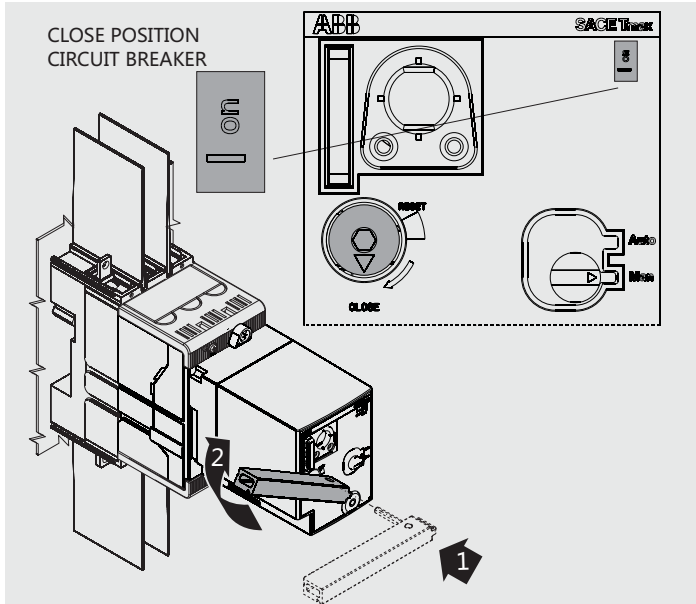


With XT1 and 1SY+1Q/2 only, after mounting MOD, please insert Q/2 Aux in Q/1 CB slot.



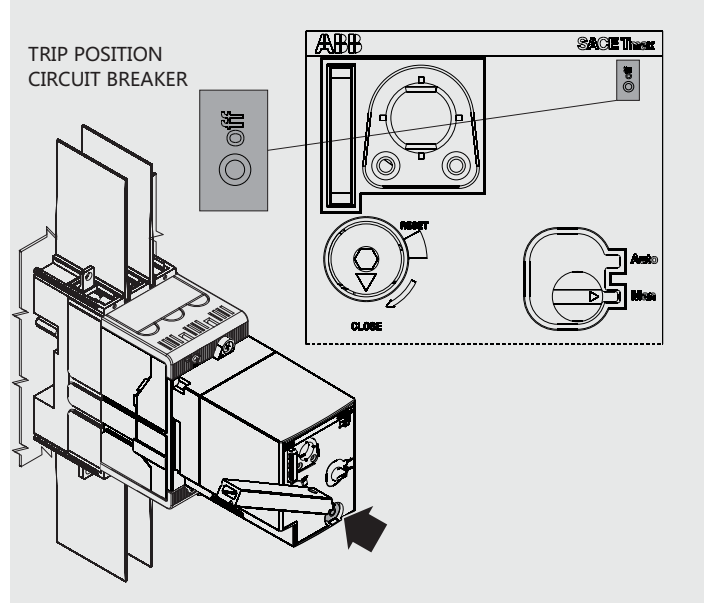
27

XT1-XT3 / P



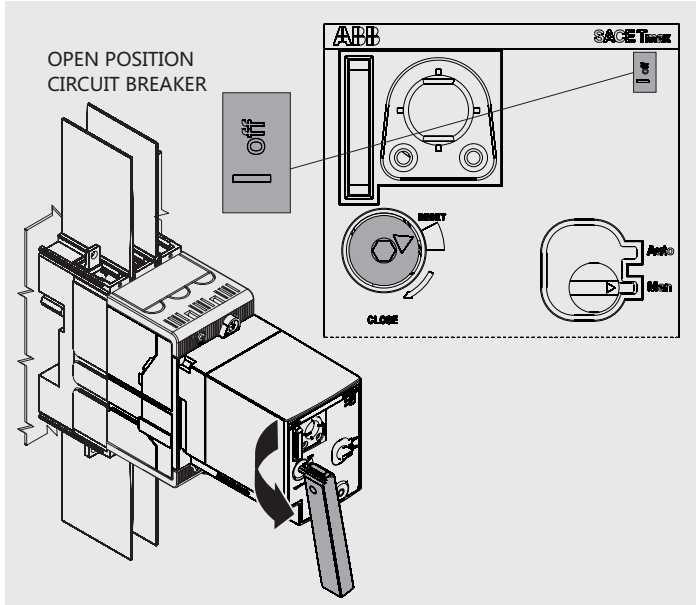
28

XT1-XT3 / P



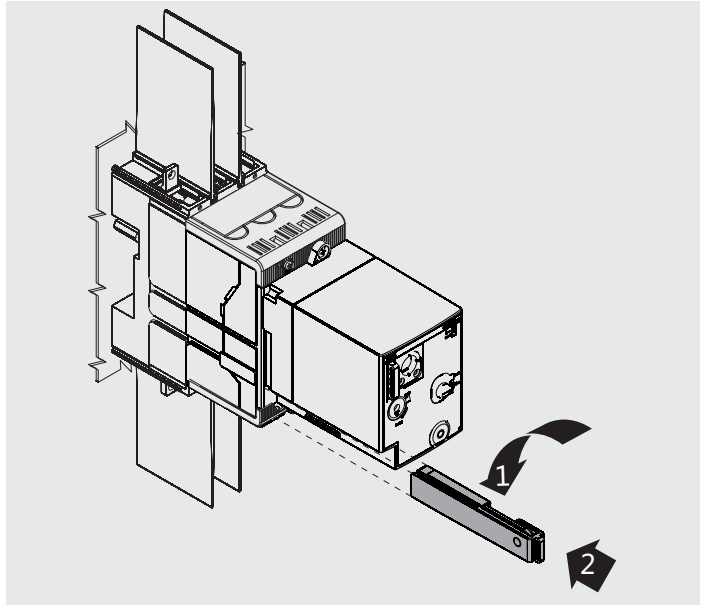
29

XT1-XT3 / P



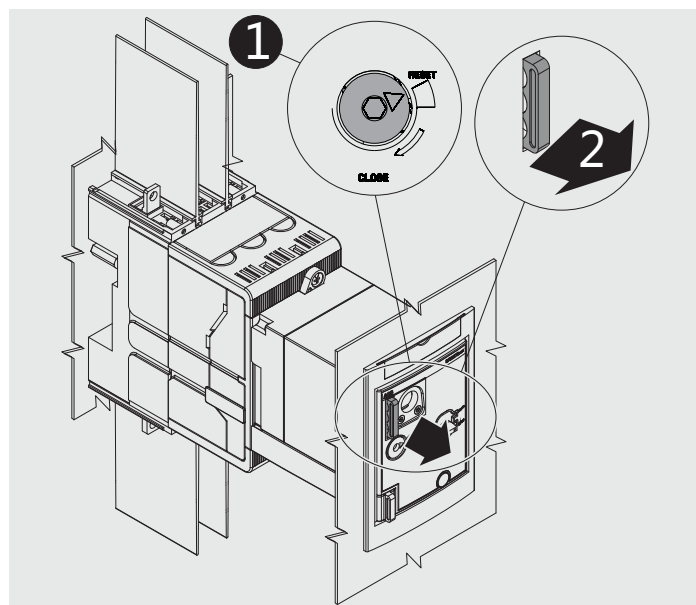
30

XT1-XT3 / P



31

XT1-XT3 / P



32

XT1-XT3 / F-P

