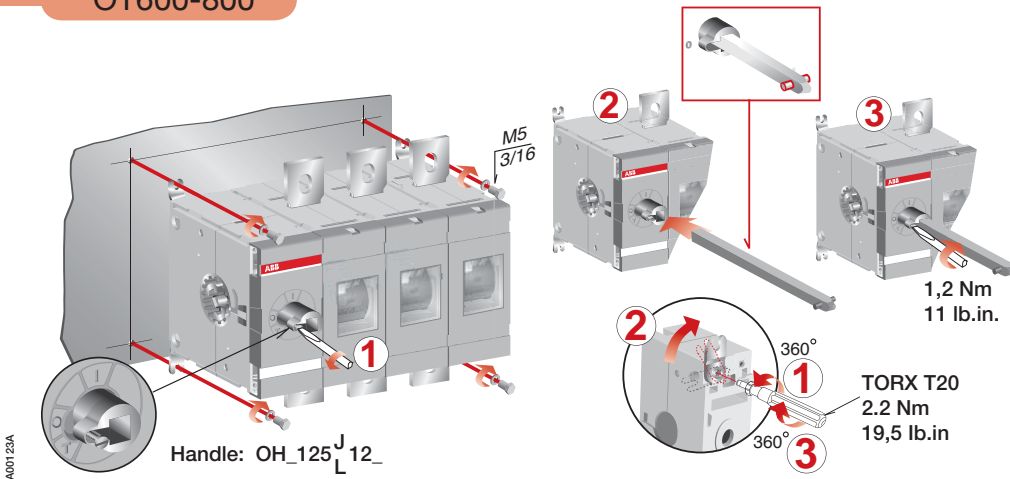
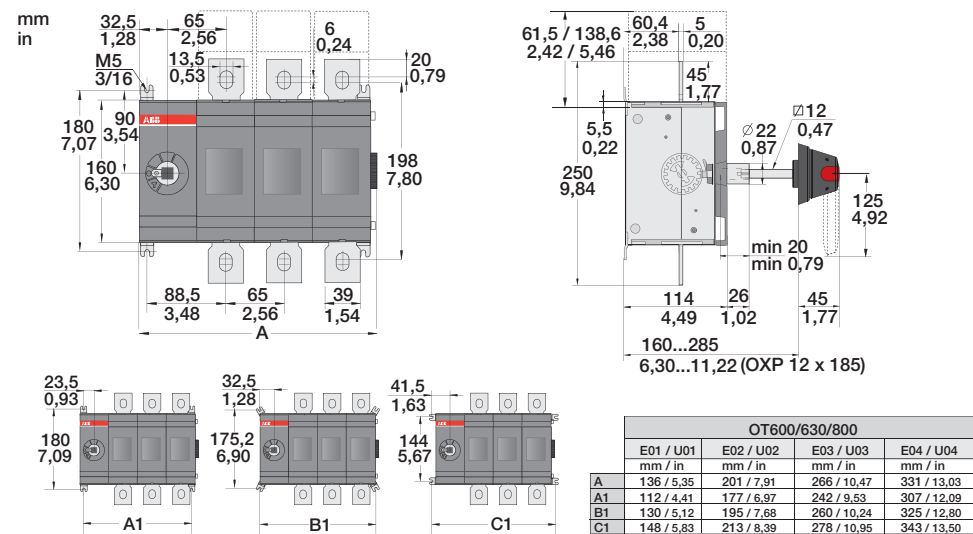


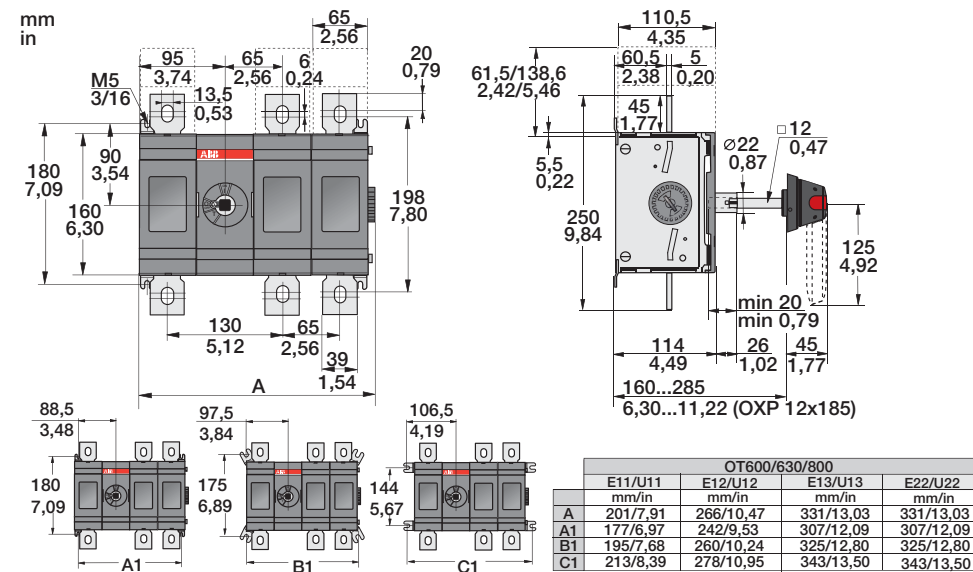
OT600-800



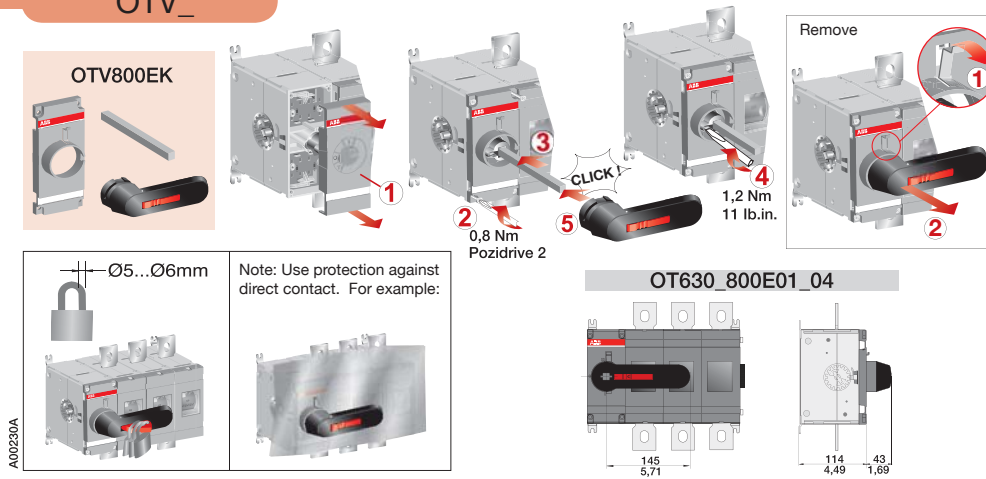
OT600_800_01_04



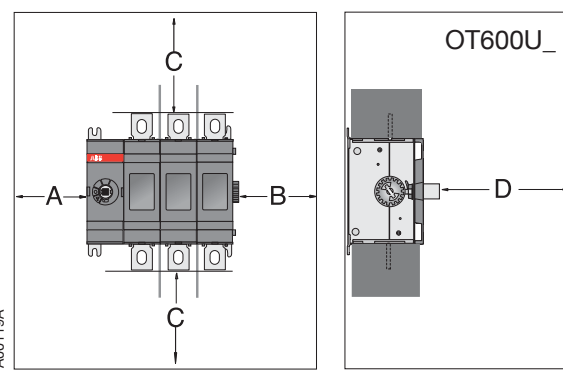
OT600_800_11_22



OTV_



Clearances per UL98

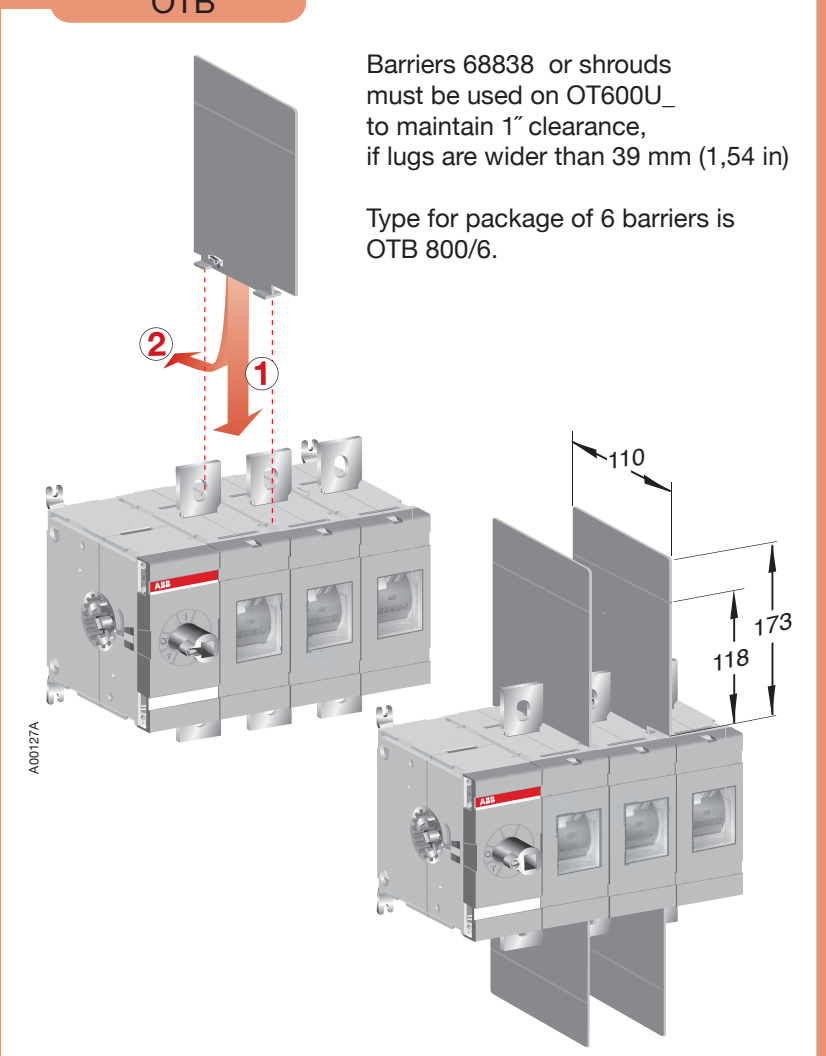


A	B	D
0	13 mm 0,5 in	13 mm 0,5 in

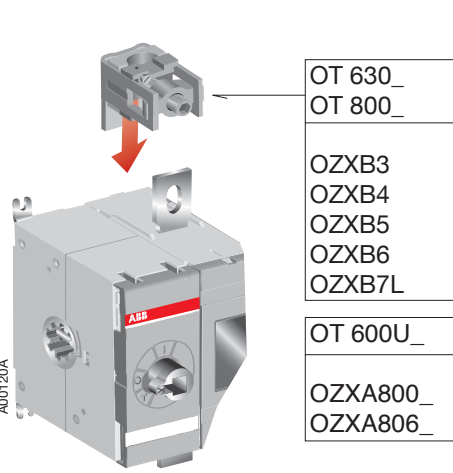
C	
Cable size AWG/MCM	
2	300
100 mm 4 in	250 mm 10 in
1	350
100 mm 4 in	300 mm 12 in
1/0	400
125 mm 5 in	330 mm 13 in
2/0	500
150 mm 6 in	356 mm 14 in
3/0-4/0	600
175 mm 7 in	381 mm 15 in
250	
200 mm 8 in	

Current	Height	Width	Depth
575 A	610	508	254
600 A	600	700	300

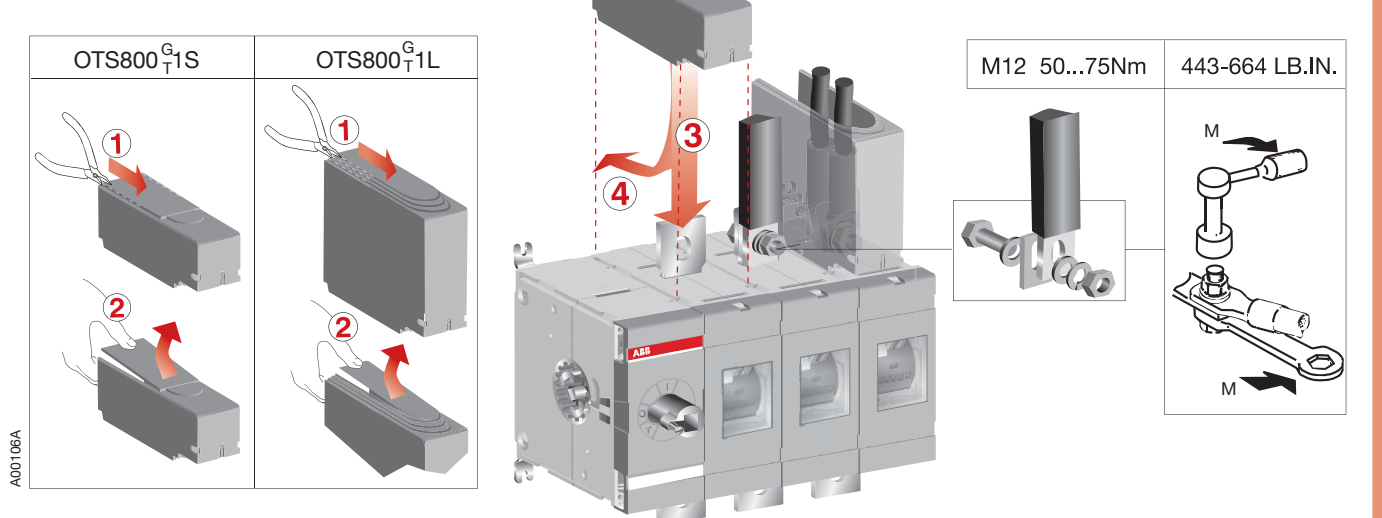
OTB



OTV_



OTS_



OA_

NO: OA1G10
NC: OA3G01

Test contact

Max 2
Max 2
Max 2
Max 2

0 1 0 Test 0

Main contact
Test contact (NO)
Test indication contact (NO)
Test contact (NC)
Test indication contact (NC)

A00124A

Test indication contact

A B C D

Remove
~10°

OTZ_

1 Nm
9 lb.in.

A00107A

1 Nm
9 lb.in.

Label

A00125A

1

2

OTZT3

OTZT3_

1 A B C D

CLICK!

2

A B

4Nm 35lb.in.
Torx 20

1,2 Nm
11 lb.in.

min. 94mm

Handle: OH_125_12_

Locking

Ø8mm 0,32in

3

4

5

6

A001017

OXP12x_

OEA_

OEA 28

1...8 pcs
OA1G10 (NO)
OA3G01 (NC)

CLICK!

0 1 0 Test 0

Main
NO
NC

0.4 Nm

0.4 Nm

A00126A