

SACE Tmax XT

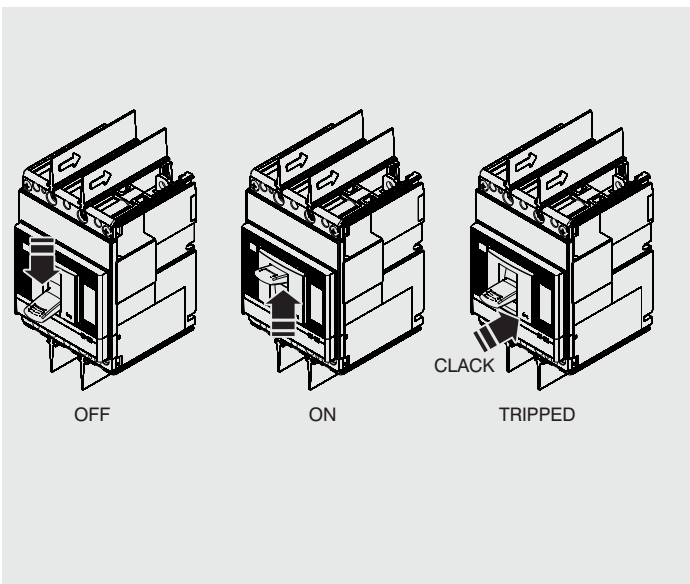


1SDH000721R0001

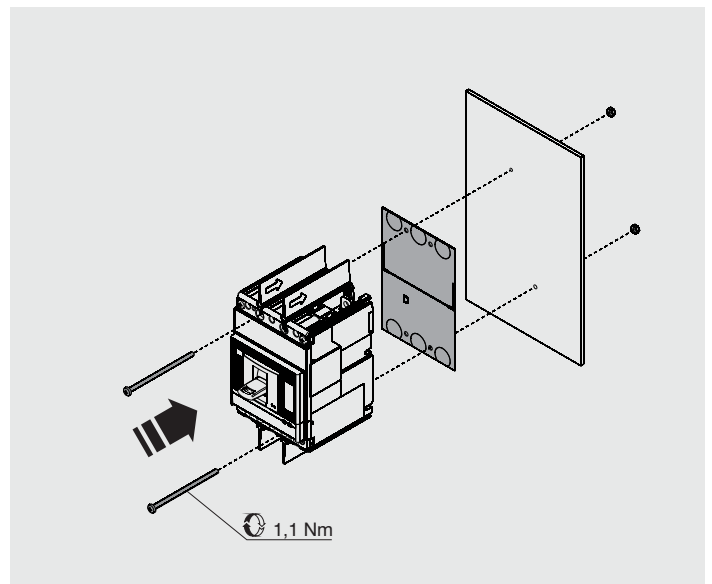
Istruzioni di installazione XT2 IEC
Installation instructions XT2 IEC
Installationsanleitung XT2 IEC
Instructions pour l'installation XT2 IEC
Instrucciones de instalación XT2 IEC
安装说明书 XT2 IEC

1

XT2 3p-4p

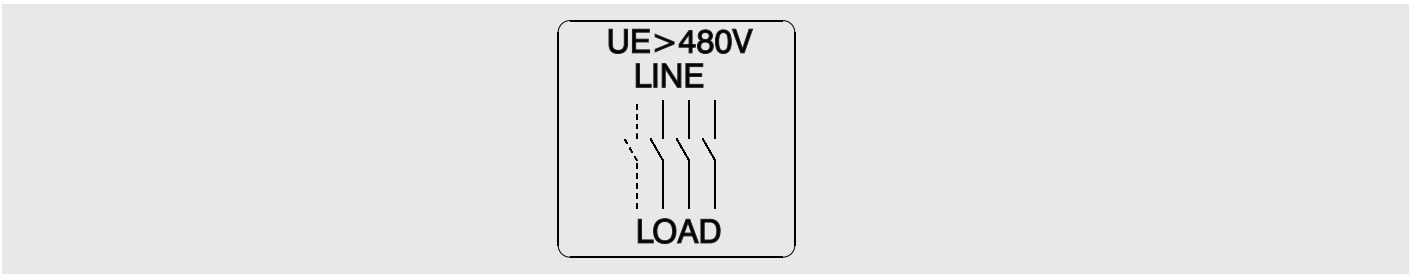


2



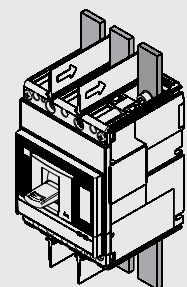
3

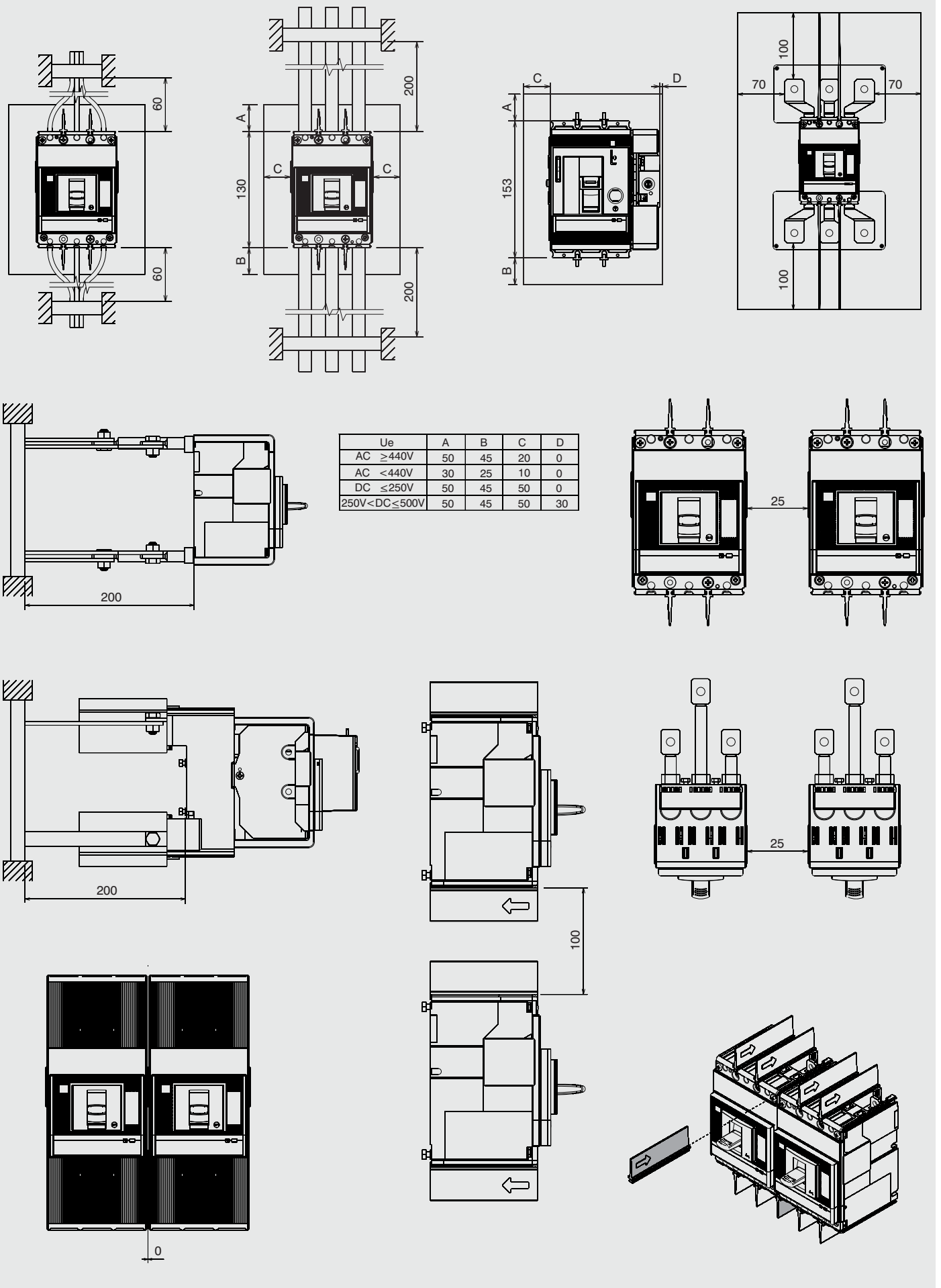
XT2 3p-4p UE > 480V



4

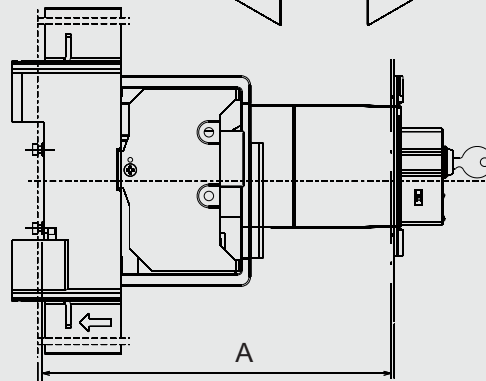
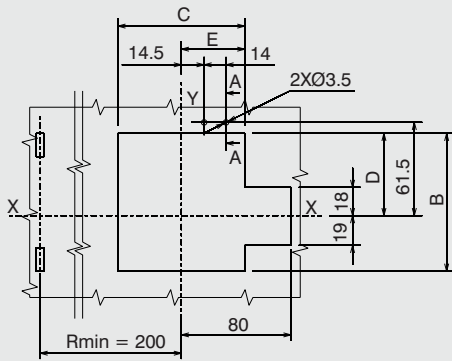
- Usare cavi o barre isolate/ o eseguire prove di tipo specifiche sull' installazione.
- Use cable or insulated busbars/ or perform specific type test on the installation.
- Kabel oder isolierte Sammelschienen verwenden / oder die spezifische Typprüfung auf der Installation durchführen.
- Utiliser un câble ou des barres isolées/ ou réaliser un test de type spécifique sur installation.
- Utilizar un cable o barras aisladas / o efectuar una prueba de tipo específico sobre instalación.
- 使用电缆或经绝缘处理的母排，否则需对安装进行指定的型式试验





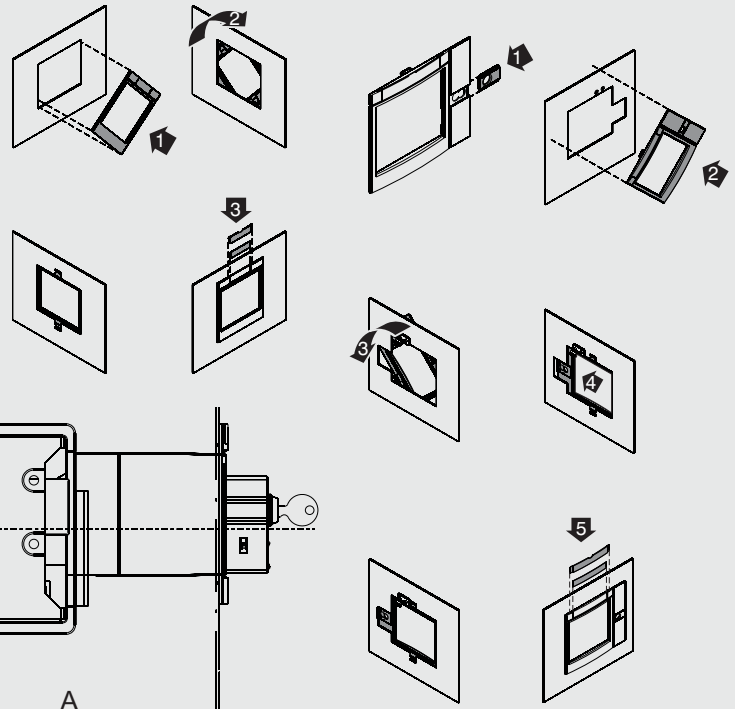
XT2 WITHOUT FLANGE SENZA MOSTRINA		F	A		B	C	D	E
			50mm	70mm				
	III-IV	91,5	141,5	161,5	43	47	17	23,5
	III	83,5	133,5	153,5	75	86	25	43
	IV	83,5	133,5	153,5	75	116	25	43

XT2 WITH FLANGE CON MOSTRINA		F	A		B	C	D	E
			50mm	70mm				
			III	86				
IV	86	136	156	83	124	29	47	
OPTIONAL FLANGE III-IV		92	142	162	73	57	32	28,5

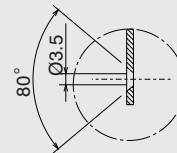
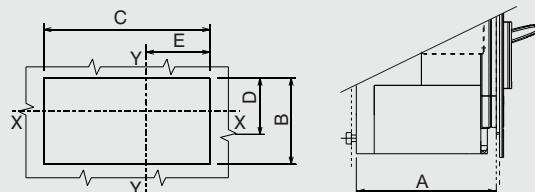


ONLY FOR XT2 F-P

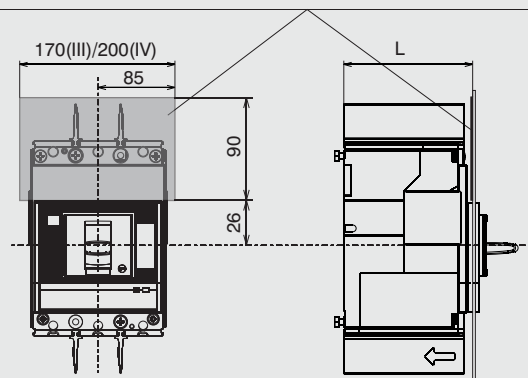
ONLY FOR XT2 W



XT2 W			A		B	C	D	E
			50mm	70mm				
	FLD	III-IV	170	190	91	101	55	50,5
	RHD	III-IV	170	190	89	82	55,5	41
	MOE	III-IV	222	-	91	101	55	50,5

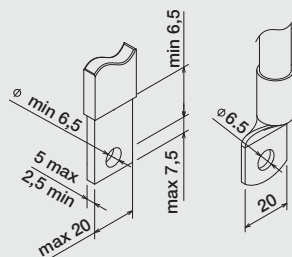


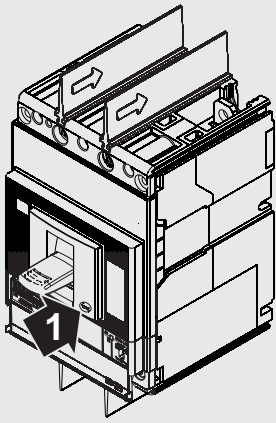
- Piastra di isolamento obbligatoria per $L < 125$ mm, spessore max 1 mm, a cura del Cliente.
- Compulsory insulating plate for $L < 125$ mm, max. thickness 1 mm, and under the Customer's responsibility.
- Plaque d'isolement obligatoire pour $L < 125$ mm, épaisseur max 1 mm, à la charge du Client.
- Trennplatte obligatorisch für $L < 125$ mm, max. Stärke 1 mm, vom Kunden beizustellen.
- Plata de aislamiento obligatoria para $L < 125$ mm, máx. espesor 1 mm, a cargo del Cliente.
- $L < 125$ mm 时, 客户必须安装最大厚度为1mm的绝缘板。



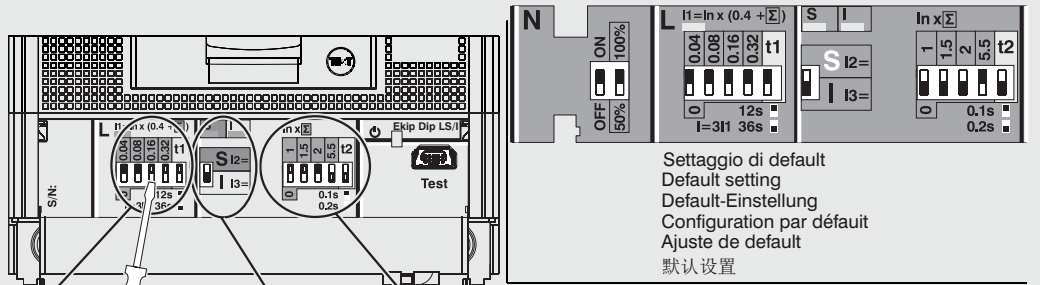
Terminali Terminals Anschlusse Prises Terminales 端子类型	Codici Codes Codes Codes Códigos 物料编号	Istruzioni d'installazione Installation instructions Installationsanleitung Instructions pour l'installation Instrucciones de instalación 安装说明	Dimensioni di ingombro Overall dimensions Abmessungen Dimensions d'encombrement Dimensiones generales 全部尺寸				
F	<table border="1"><tr><td>1SDA066853R1</td><td>1/2 Kt - 3p</td></tr><tr><td>1SDA066854R1</td><td>1/2 kit - 4p</td></tr></table>	1SDA066853R1	1/2 Kt - 3p	1SDA066854R1	1/2 kit - 4p	1SDH000719R0811	1SDH000721R0100
1SDA066853R1	1/2 Kt - 3p						
1SDA066854R1	1/2 kit - 4p						
EF	<table border="1"><tr><td>1SDA066869R1</td><td>1/2 Kt - 3p</td></tr><tr><td>1SDA066870R1</td><td>1/2 kit - 4p</td></tr></table>	1SDA066869R1	1/2 Kt - 3p	1SDA066870R1	1/2 kit - 4p	1SDH000719R0804	1SDH000721R0144
1SDA066869R1	1/2 Kt - 3p						
1SDA066870R1	1/2 kit - 4p						
ES	<table border="1"><tr><td>1SDA066893R1</td><td>1/2 Kt - 3p</td></tr><tr><td>1SDA066894R1</td><td>1/2 kit - 4p</td></tr></table>	1SDA066893R1	1/2 Kt - 3p	1SDA066894R1	1/2 kit - 4p	1SDH000719R0805	1SDH000721R0101
1SDA066893R1	1/2 Kt - 3p						
1SDA066894R1	1/2 kit - 4p						
FC Cu	<table border="1"><tr><td>1SDA066909R1</td><td>1/2 Kt - 3p</td></tr><tr><td>1SDA066910R1</td><td>1/2 kit - 4p</td></tr></table>	1SDA066909R1	1/2 Kt - 3p	1SDA066910R1	1/2 kit - 4p	1SDH000719R0807	1SDH000721R0103
1SDA066909R1	1/2 Kt - 3p						
1SDA066910R1	1/2 kit - 4p						
FC Cu Al 1...95mm²	<table border="1"><tr><td>1SDA067163R1</td><td>1/2 Kt - 3p</td></tr><tr><td>1SDA067164R1</td><td>1/2 kit - 4p</td></tr></table>	1SDA067163R1	1/2 Kt - 3p	1SDA067164R1	1/2 kit - 4p	1SDH000719R0806	1SDH000721R0102
1SDA067163R1	1/2 Kt - 3p						
1SDA067164R1	1/2 kit - 4p						
FC Cu Al 70...185mm²	<table border="1"><tr><td>1SDA067167R1</td><td>1/2 Kt - 3p</td></tr><tr><td>1SDA067168R1</td><td>1/2 kit - 4p</td></tr></table>	1SDA067167R1	1/2 Kt - 3p	1SDA067168R1	1/2 kit - 4p	1SDH000719R0816	1SDH000721R0136
1SDA067167R1	1/2 Kt - 3p						
1SDA067168R1	1/2 kit - 4p						
FC Cu Al 120...240mm²	<table border="1"><tr><td>1SDA067171R1</td><td>1/2 Kt - 3p</td></tr><tr><td>1SDA067172R1</td><td>1/2 kit - 4p</td></tr></table>	1SDA067171R1	1/2 Kt - 3p	1SDA067172R1	1/2 kit - 4p	1SDH000719R0643	
1SDA067171R1	1/2 Kt - 3p						
1SDA067172R1	1/2 kit - 4p						
FC Cu Al 2x35...70mm²	<table border="1"><tr><td>1SDA067175R1</td><td>1/2 Kt - 3p</td></tr><tr><td>1SDA067176R1</td><td>1/2 kit - 4p</td></tr></table>	1SDA067175R1	1/2 Kt - 3p	1SDA067176R1	1/2 kit - 4p	1SDH000719R0816	
1SDA067175R1	1/2 Kt - 3p						
1SDA067176R1	1/2 kit - 4p						
FC Cu Al 2x50...95mm²	<table border="1"><tr><td>1SDA117911R1</td><td>1/2 Kt - 3p</td></tr><tr><td>1SDA117912R1</td><td>1/2 kit - 4p</td></tr></table>	1SDA117911R1	1/2 Kt - 3p	1SDA117912R1	1/2 kit - 4p	1SDH000721R0816	1SDH000721R0102
1SDA117911R1	1/2 Kt - 3p						
1SDA117912R1	1/2 kit - 4p						
MC	<table border="1"><tr><td>1SDA066925R1</td><td>1/2 Kt - 3p</td></tr><tr><td>1SDA066926R1</td><td>1/2 kit - 4p</td></tr></table>	1SDA066925R1	1/2 Kt - 3p	1SDA066926R1	1/2 kit - 4p	1SDH000719R0808	1SDH000721R0103
1SDA066925R1	1/2 Kt - 3p						
1SDA066926R1	1/2 kit - 4p						
R	<table border="1"><tr><td>1SDA066941R1</td><td>1/2 Kt - 3p</td></tr><tr><td>1SDA066942R1</td><td>1/2 kit - 4p</td></tr></table>	1SDA066941R1	1/2 Kt - 3p	1SDA066942R1	1/2 kit - 4p	1SDH000719R0809	1SDH000721R0104
1SDA066941R1	1/2 Kt - 3p						
1SDA066942R1	1/2 kit - 4p						
FB	<table border="1"><tr><td>1SDA066961R1</td><td>1/2 Kt - 3p</td></tr><tr><td>1SDA066962R1</td><td>1/2 kit - 4p</td></tr></table>	1SDA066961R1	1/2 Kt - 3p	1SDA066962R1	1/2 kit - 4p	1SDH000719R0814	
1SDA066961R1	1/2 Kt - 3p						
1SDA066962R1	1/2 kit - 4p						

Terminali Terminals Anschlusse Prises Terminales 端子类型	Codici Codes Codes Codes Códigos 物料编号	Istruzioni d'installazione Installation instructions Installationsanleitung Instructions pour l'installation Instrucciones de instalación 安装说明	Dimensioni di ingombro Overall dimensions Abmessungen Dimensions d'encombrement Dimensiones generales 全部尺寸
EF	1SDA066262R1	1/2 Kt - 3p	1SDH000719R0817 1SDH000721R0108 P 1SDH000721R0113 W
	1SDA066263R1	1/2 kit - 4p	
ES	1SDA066893R1	1/2 Kt - 3p	1SDH000721R0105 P 1SDH000721R0110 W
	1SDA066894R1	1/2 kit - 4p	
FC Cu	1SDA066909R1	1/2 Kt - 3p	1SDH000721R0107 P 1SDH000721R0112 W
	1SDA066910R1	1/2 kit - 4p	
FC Cu Al 1...95mm ²	1SDA067163R1	1/2 Kt - 3p	1SDH000721R0106 P 1SDH000721R0111 W
	1SDA067164R1	1/2 kit - 4p	
FC Cu Al 70...185mm ²	1SDA067167R1	1/2 Kt - 3p	1SDH000721R0137 P 1SDH000721R0138 W
	1SDA067168R1	1/2 kit - 4p	
FC Cu Al 120...240mm ²	1SDA067171R1	1/2 Kt - 3p	1SDH000719R0643
	1SDA067172R1	1/2 kit - 4p	
FC Cu Al 2x35...70mm ²	1SDA067175R1	1/2 Kt - 3p	1SDH000719R0816
	1SDA067176R1	1/2 kit - 4p	
FC Cu Al 2x50...95mm ²	1SDA117911R1	1/2 Kt - 3p	1SDH000721R0140 P 1SDH000721R0141 W
	1SDA117912R1	1/2 kit - 4p	
MC	1SDA066925R1	1/2 Kt - 3p	1SDH000721R0107 P 1SDH000721R0112 W
	1SDA066926R1	1/2 kit - 4p	
HR/VR	1SDA066270R1	1/2 Kt - 3p	1SDH000721R0109 P 1SDH000721R0114 W
	1SDA066271R1	1/2 kit - 4p	
FB	1SDA066961R1	1/2 Kt - 3p	1SDH000719R0814
	1SDA066962R1	1/2 kit - 4p	
ADAPTER	1SDA066307R1	1/2 Kt - 3p	1SDH000719R0902
	1SDA066308R1	1/2 kit - 4p	





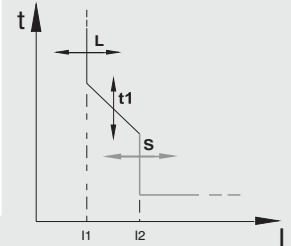
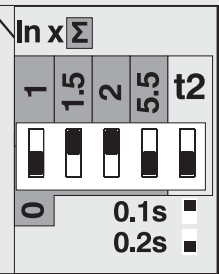
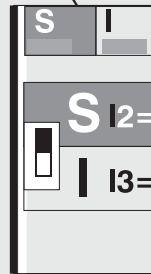
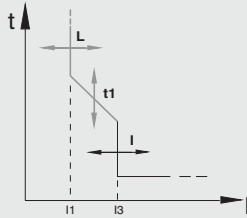
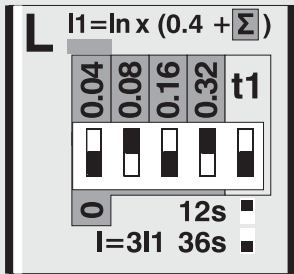
LED	Color	CONDITION Run time	
	Green	LED ON (fixed) = Device active	
L	Red	LED Fixed = L pre alarm ($0,9 * I1 < I < 1,2 * I1$)	LED Blinking = L alarm ($I > 1,2 * I1$)
S	Red	LED Blinking = S alarm ($I > I2$)	
L S I	Red	LED Blinking = Parameters inconsistency - L = S or L = I. LED Blinking without Parameters inconsistency = generic fault (please contact ABB)	



Settaggio di default
Default setting
Default-Einstellung
Configuration par défaut
Ajuste de default
默认设置

Esempio:
Example:
 $I_n = 100 \text{ A}$
 $I1 = 100 \times (0,4 + 0,08 + 0,32) = 80 \text{ A}$
 $t1 = 36 \text{ s @ } 240 \text{ A } (3I_1)$

Esempio:
Example:
 $I_n = 100 \text{ A}$
 $I2 = 100 \times (1,5 + 2) = 350 \text{ A}$
 $t2 = 0,2 \text{ s @ } I_n > I_2$



1

PROCEDURA DI CONTROLLO
- CONTROLLO LED:
tutti i led del relè si devono accendere
- ULTIMA INDICAZIONE DI TRIP:
se presente nella memoria del relè
- LED: resta acceso finchè l'unità TT e' connessa al relè
- PRONTO PER TRIP

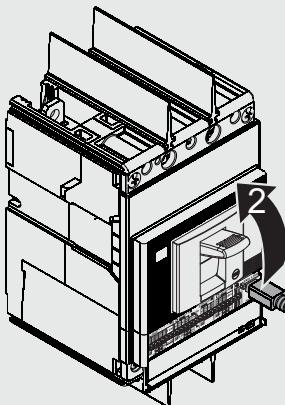
DIAGNOSTIC PROCEED
- UNIT CHECK LED:
all the leds in the relay must come on
- LAST TRIP INDICATION:
if present in the relay's data store
- LED: remains on for as long as the TT is connected to the relay
- READY TO TRIP

DIAGISTIKABLAUF
- EINEITHSPRUF-LED:
Alle LEDs des Relais müssen aufleuchten
- ANGABE DER LETZTEN AUSLOSUNG:
Wenn im Speicher des Relais vorhanden.
- LED: bleibt angeschaltet, bis die Einheit TT an die Relais angeschlossen ist.
- AUSLOSEBEREIT

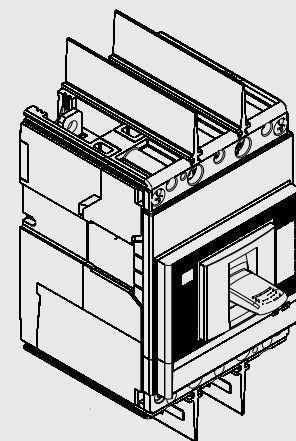
PROCÉDURE DE DIAGNOSTIC
- UNIT CHECK LED : toutes les diodes du relais doivent s'allumer
- LAST TRIP INDICATION : si présente dans la mémoire du relais
- LED: la DIODE reste allumée tant que l'unité TT est connectée au relais
- READY TO TRIP

PROCEDIMIENTO DIAGNOSTICO
- LED CONTROL UNIDAD:
todos los led del relé se deben encender
- INDICACION ULTIMA ACTUACION:
si está presente en la memoria del relé
- LED: queda encendido mientras la unidad TT permanezca conectada con el relé
- LISTO PARA LA ACTUACION

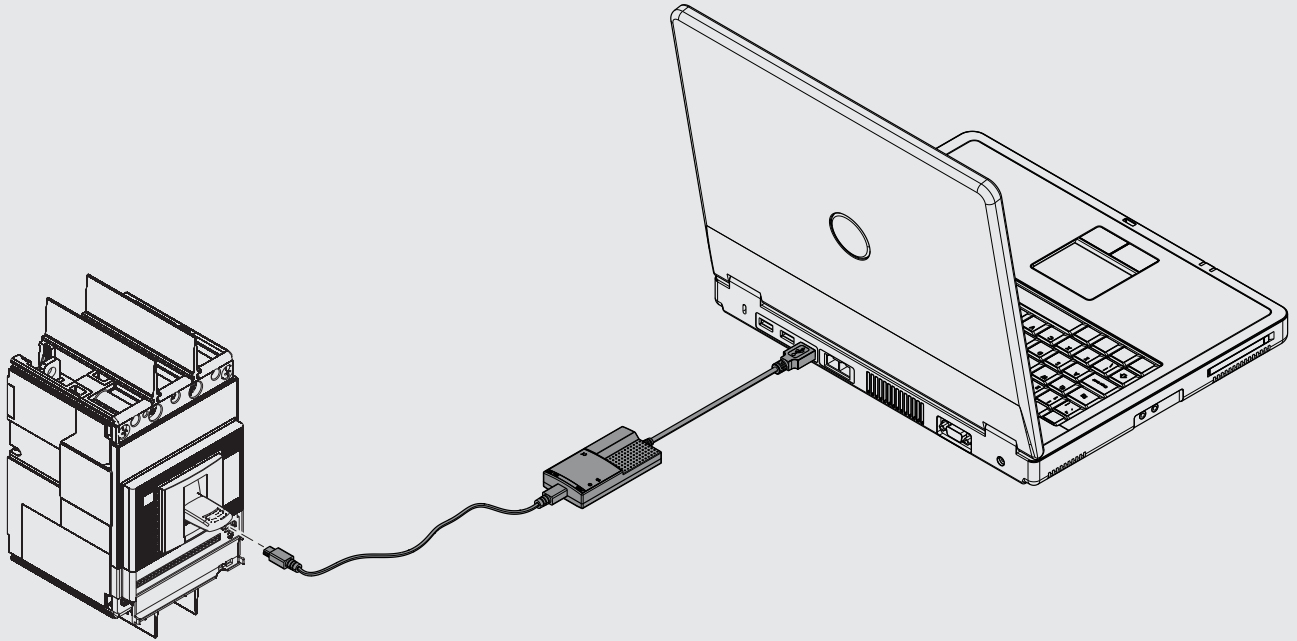
自诊断流程
- 脱扣器功能指示灯:
各功能指示灯依次闪烁
- 前次脱扣指示
如果在脱扣器内有存储
- LED指示灯: TT连接到脱扣器后保持常亮
- 诊断就绪



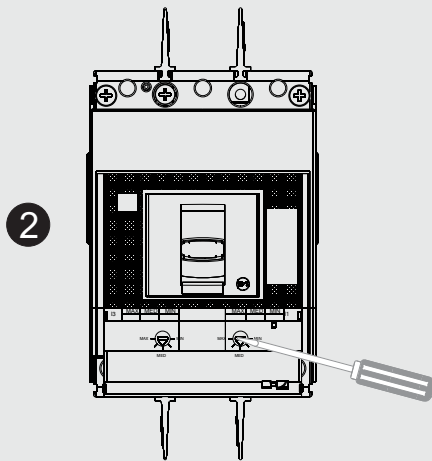
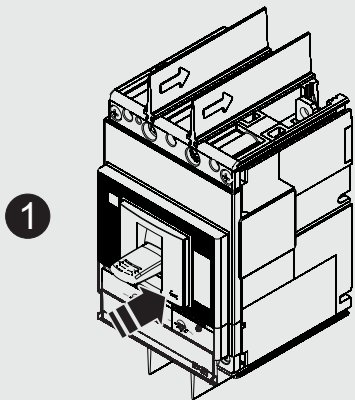
LED Ekip TT	
Verde Green Grün Vert Verde 绿	Rosso Red Rot Rouge Rojo 红
Dispositivo acceso Device ON Einrichtung eingeschaltet Dispositif allumé Dispositivo encendido 设备运行	Sostituire batterie Change battery Batterie ersetzen Remplacer batteries Sustituir baterías 更换电池



4 CLACK



- Collegare T&P (vedi 1SDH000721R0623) e selezionare la frequenza di lavoro.
- Connect Ekip T&P (see 1SDH000721R0623) and select the work frequency.
- Ekip T&P anschließen (siehe 1SDH000721R0623) und Arbeitsfrequenz wählen.
- Brancher Ekip T&P (voir 1SDH000721R0623) et sélectionner la fréquence de travail.
- Conectar Ekip T&P (véase 1SDH000721R0623) y seleccionar la frecuencia de trabajo.
- 连接Ekip-T&P(参见1SDH000721R0623)并选择工作频率。



	In	I3		
		MIN	MED	MAX
TMA	40	300	360	400
	50	300	400	500
	63	300	465	630
	80	400	600	800
	100	500	750	1000
	125	625	940	1250
	160	800	1200	1600

	In	I3		
		MIN (6)	MED (10)	MAX (14xIn)
MA	20	120	200	280
	32	192	320	448
	52	314	520	728
	80	480	800	1120
	100	600	1000	1400
	160	960	1600	2240

	In	I1		
		MIN (0,7)	MED (0,85)	MAX (1xIn)
TMD	1,6	1,1	1,3	1,6
	2	1,4	1,7	2
	2,5	1,7	2,1	2,5
	3,2	2,2	2,7	3,2
	4	2,8	3,4	4
	5	3,5	4,2	5
	6,3	4,4	5,3	6,3
	8	5,6	6,8	8
	10	7	8,5	10
	12,5	8,7	10,6	12,5
	16	11,2	13,6	16
	20	14	17	20
TMA	25	17,5	21,2	25
	32	22,4	27,2	32
	40	28	34	40
	50	35	42,5	50
	63	44,1	53,5	63
	80	56	68	80
TMG	100	70	85	100
	125	87,5	106,2	125
	160	112	136	160
	16	11,2	13,6	16
	20	14	17	20
	25	17,5	21,2	25
	32	22,4	27,2	32
	40	28	34	40
50	35	42,5	50	
63	44,1	53,5	63	
80	56	68	80	
100	70	85	100	
125	87,5	106,2	125	
160	112	136	160	

15



ATTENZIONE! Istruzioni relative alla Trip unit Ekip Touch sono reperibili con il documento [1SDH002031A1001](#).
WARNING! Instructions on Ekip Touch Trip unit are available with document [1SDH002031A1002](#).
ACHTUNG! Anweisungen zu Trip unit Ekip Touch finden Sie mit dem Dokument [1SDH002031A1003](#).
ATTENTION! Instructions concernant Trip unit Ekip Touch peuvent être trouvées avec le document [1SDH002031A1004](#).
ATENCIÓN! Instrucciones sobre Trip unit Ekip Touch se encuentran con el documento [1SDH002031A1005](#).
警告! Ekip Touch脱扣器有可用的说明文件 [1SDH002031A1002](#).

16



ATTENZIONE! Istruzioni relative ai Test dielettrici sono reperibili con il documento
WARNING! Instructions on Dielectric tests are available with document
ACHTUNG! Anweisungen zu Dielektrische Prüfungen finden Sie mit dem Dokument [1SDH002267A1001](#)
ATTENTION! Instructions concernant Essais diélectriques peuvent être trouvées avec le document
ATENCIÓN! Instrucciones sobre Pruebas dieléctricas se encuentran con el documento
警告! 介电测试脱扣器有可用的说明文件